



MAC FAUCETS, LLC

When Style Matters

FA-3200/FA-3400 INSTALLATION MANUAL

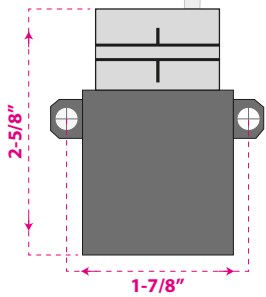
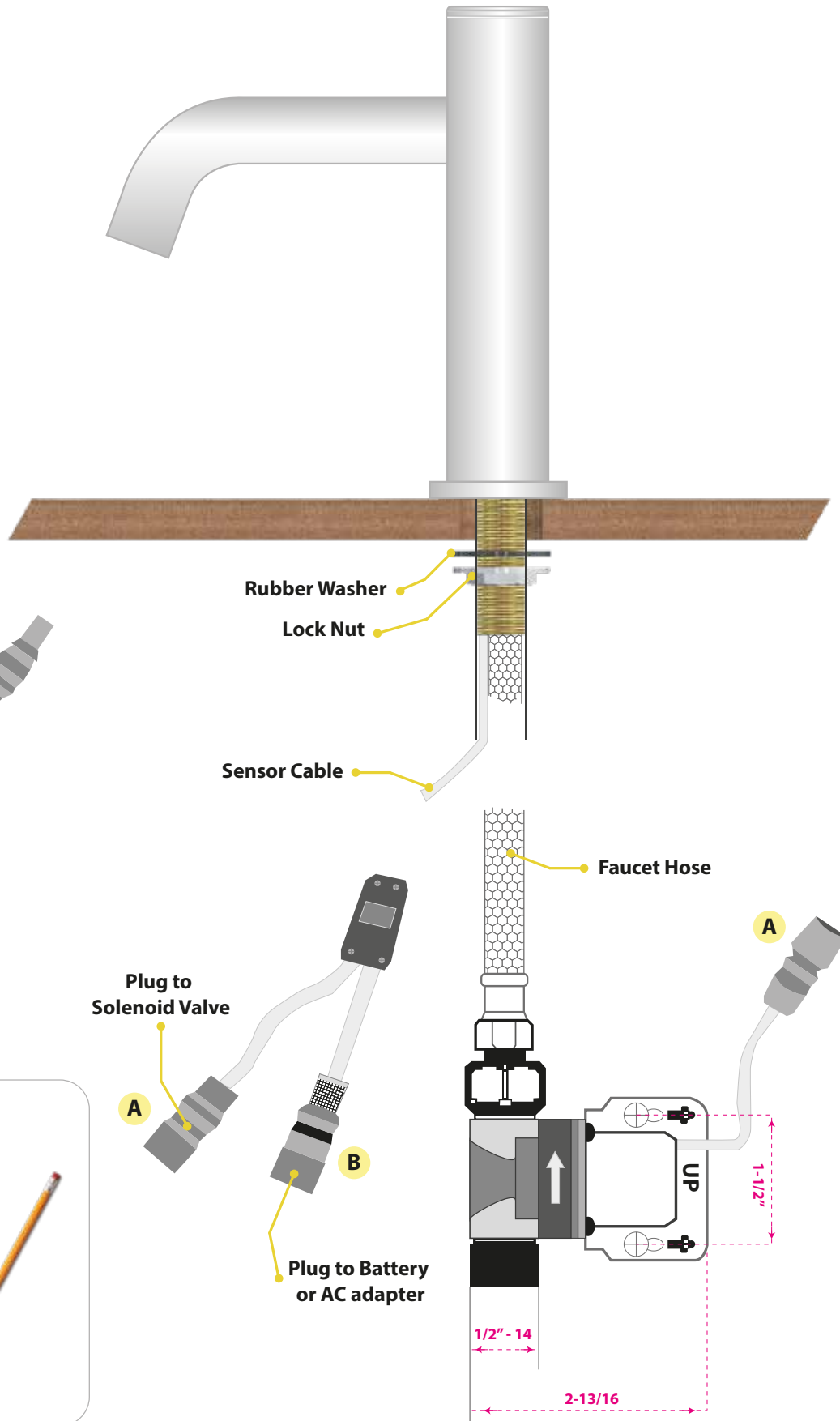


Models

FA-3260	FA-3280
FA-3263	FA-3283
FA-3460	FA-3480
FA-3463	FA-3483

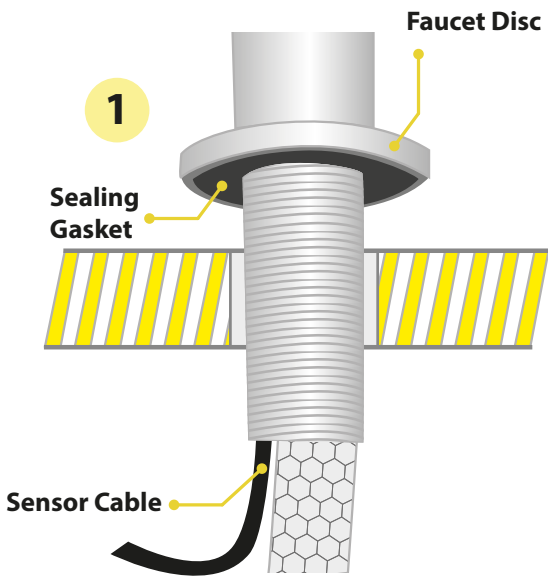
☎ 866 558 3200 ✉ info@macfaucets.com

www.macfaucets.com

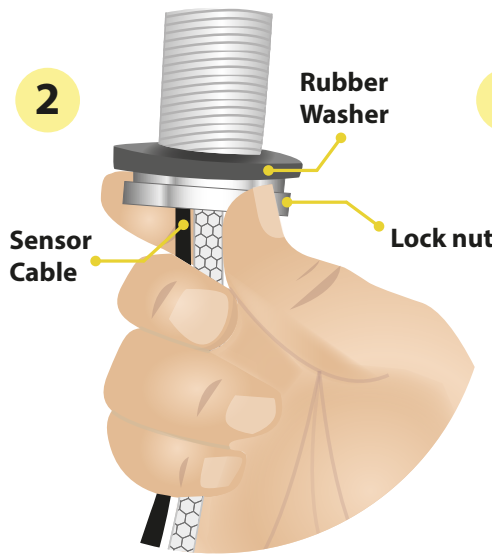


Tools Needed

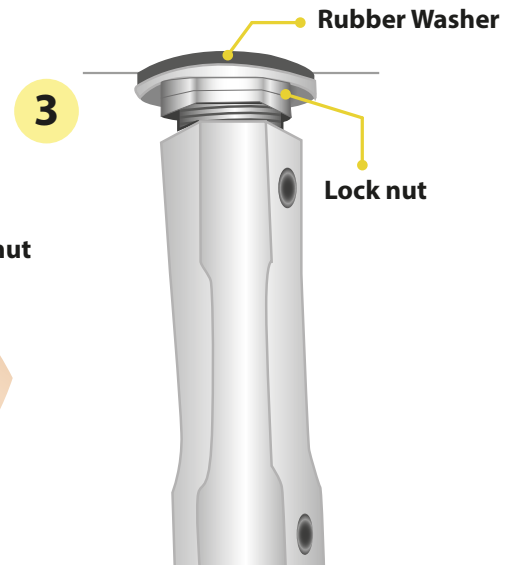




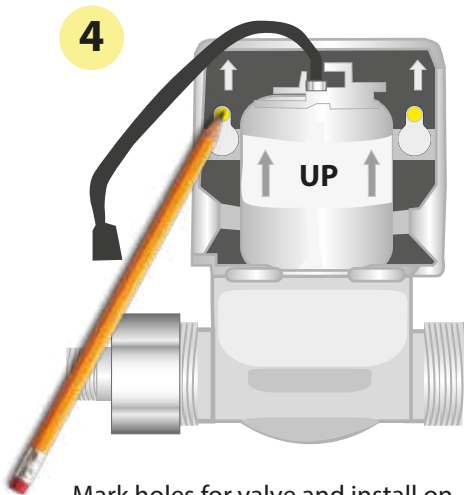
1 Insert faucet shank through sink hole



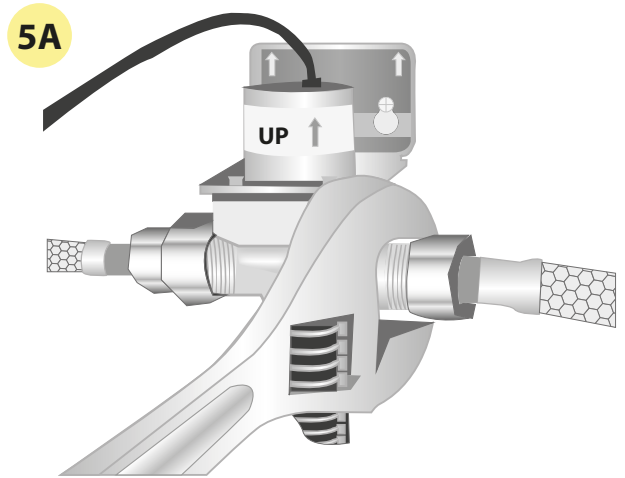
2 Place washer and lock nut onto shank



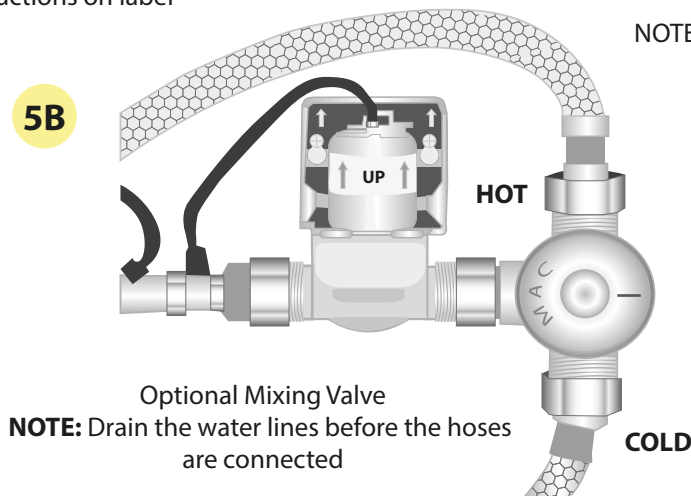
3 Tighten lock nut



4 Mark holes for valve and install on the wall, follow instructions on label

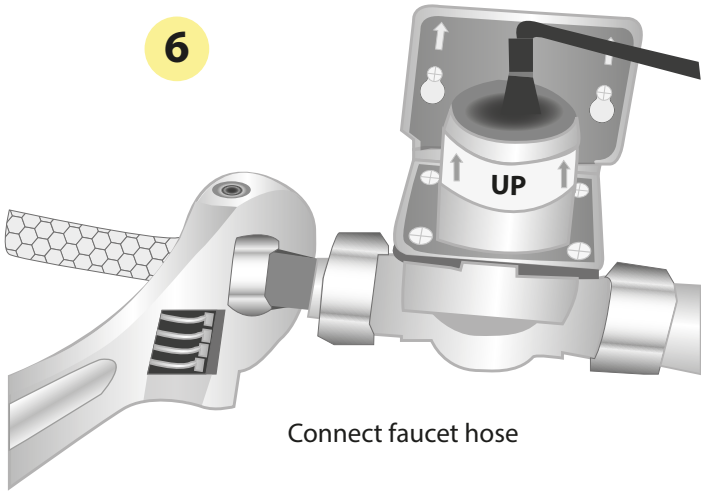


5A Connect cold supply line
NOTE: Drain the water line before the hose is connected



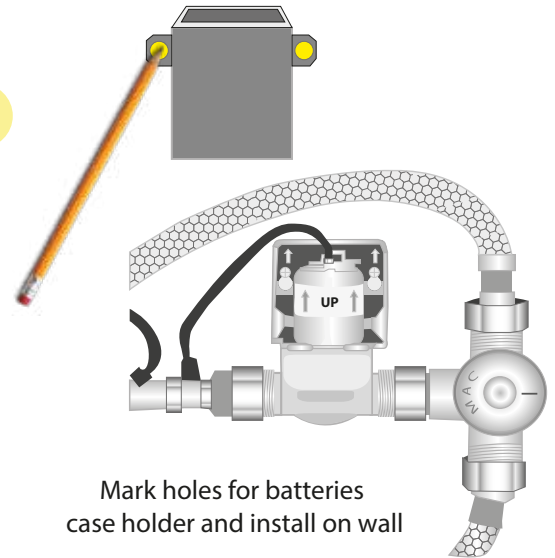
5B Optional Mixing Valve
NOTE: Drain the water lines before the hoses are connected

6



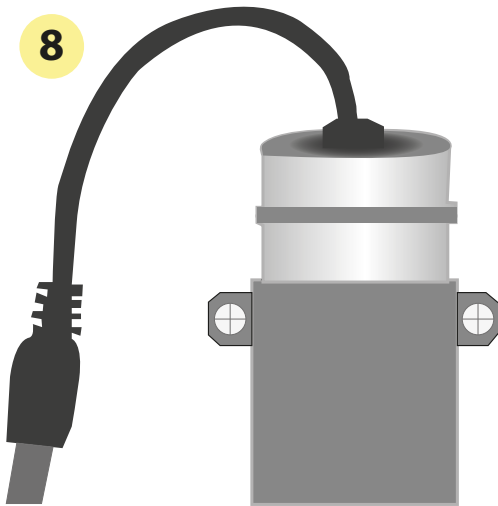
Connect faucet hose

7



Mark holes for batteries case holder and install on wall

8



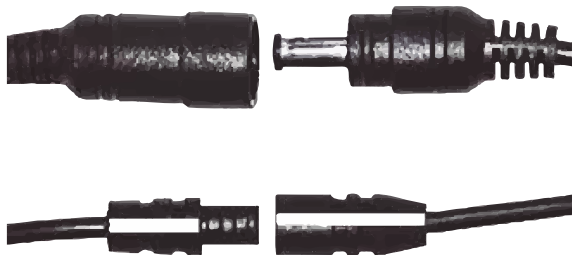
Insert the batteries case into case holder

9



OPTIONAL: 110V AC power supply

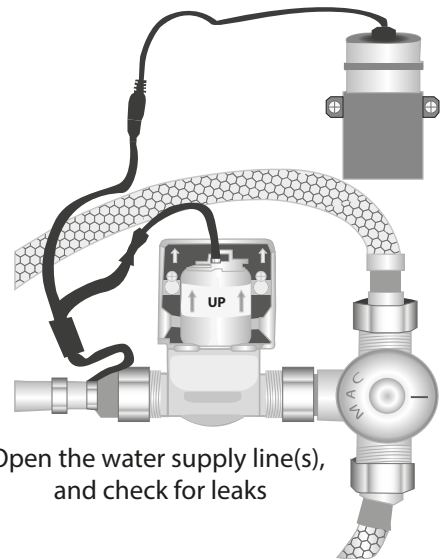
10



Align marks located on solenoid plug and push firmly. Power plug does not require alignment, Plug and push firmly.

Make sure no objects are present in the sink when plugging cables.
After plugging cable, wait one minute before placing anything in the sink.
Test for leaks before using faucet

11



Open the water supply line(s), and check for leaks

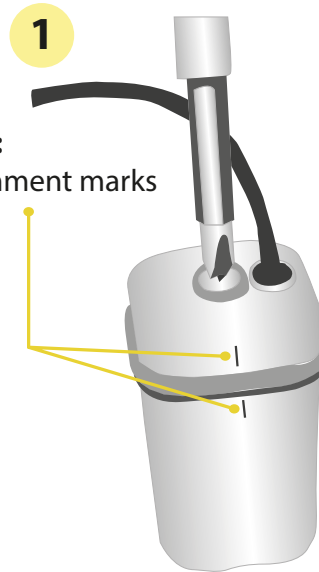


Model FA-3263
With 3" riser
for high vessel sinks



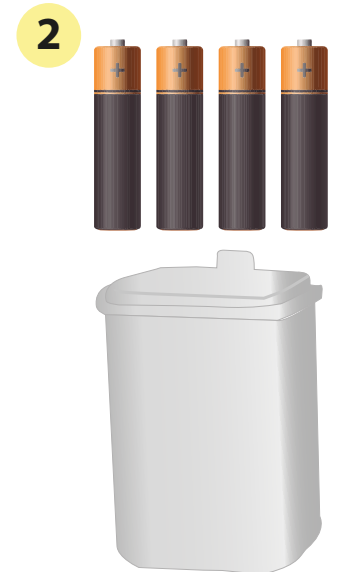
Model FA-3463
With 3" riser
for high vessel sinks

Battery Replacement



Note:
Alignment marks

Use Phillips screw driver to remove screw on top



Open the case and remove the old batteries



3 Use All New, good quality AA batteries

Place new batteries inside case in the order shown above



4 Aligning the outside marks and close the batteries case

LIMITED WARRANTY

Mac Faucets warrants this product to be free of defects for a period of one year from date of purchase. Mac Faucets will replace, free of charge, during this warranty period, parts that prove defective when properly installed and under normal use and service. Damage that occurs as a result of abuse, improper installation, environmental conditions, or improper application will void this warranty. Products must be shipped with postage and handling prepaid, along with dated proof of purchase. This warranty does not cover installation or any other labor charges. It does not cover shipping and handling of both replacement parts and returned defective parts. Products or components that have been altered, or in any way modified, will not be covered under this warranty. Replacement parts are under warranty only for the remaining period under the initial warranty. Some states do not allow for exclusion of incidental or consequential damage.

Available Washroom Accessories



TiO-32

Two-in-one Automatic
Faucet and Soap Dispenser



TiO-34

Two-in-one Automatic
Faucet and Soap Dispenser



ADA Grab Series

Models GB-18, GB-36 and GB-42



ATD-10

Automatic Towel Dispenser



AAD-12

Automatic Aroma Dispenser



ASD-13

Automatic Soap Dispenser



TH-2

Tissue Holder



SCD-4

Toilet Seat Cover



HD-5

Automatic Hand Dryer