A modern, curved, brushed metal faucet is the central focus of the image. The faucet has a tall, slender stem that curves into a wide, elegant arch. The base of the faucet is a cylindrical, brushed metal structure with a small circular detail on its side. In the foreground, the white, curved rim of a ceramic sink is visible. The background is a wall with a light-colored, veined marble pattern. The overall aesthetic is clean and contemporary.

FA400-1102 SPEC SHEET

# MAC FAUCETS

The Leader in Decorative Automatic Faucets Worldwide

*Autoluxe Faucets Are Available In Twenty Finishes*



**Model: FA400-1102** For Vessel Sinks Only

## Featuring:

- **Solid Brass Faucet.**
- **Solid Brass Valving System.**
- **Water Resistant Electronics.**
- **Battery Powered, with Optional AC.**
- **Available in Twenty (20) Finishes.**

The model FA400-1102 is specifically designed for vessel sink (bowl sink) applications. However, don't let the good looks fool you. The model FA400-1102 is a heavy duty faucet that is designed for heavy traffic applications. It features the Faucet Automator model FA400.

Manufactured to last, the FA400 employs the latest in plug and play digital electronics, solid brass solenoid valve with integral filter and water flow adjustment, and it all comes in a package that is a breeze to install

### Package Includes

*Faucet*

*FA400 Automator*

*Single Water Source  
Fitting*

**Please Note: Faucet  
Sold Without Drain**

*Stainless Steel Hose*

*Mounting Hardware*

*Batteries Pre-installed*

*All the hardware necessary for  
satisfactory installation*

ANSI A112.18.1M

CSA Standard B125, 2.2  
U.S. GPM

Complies with NSF  
Standard 61, Section 9



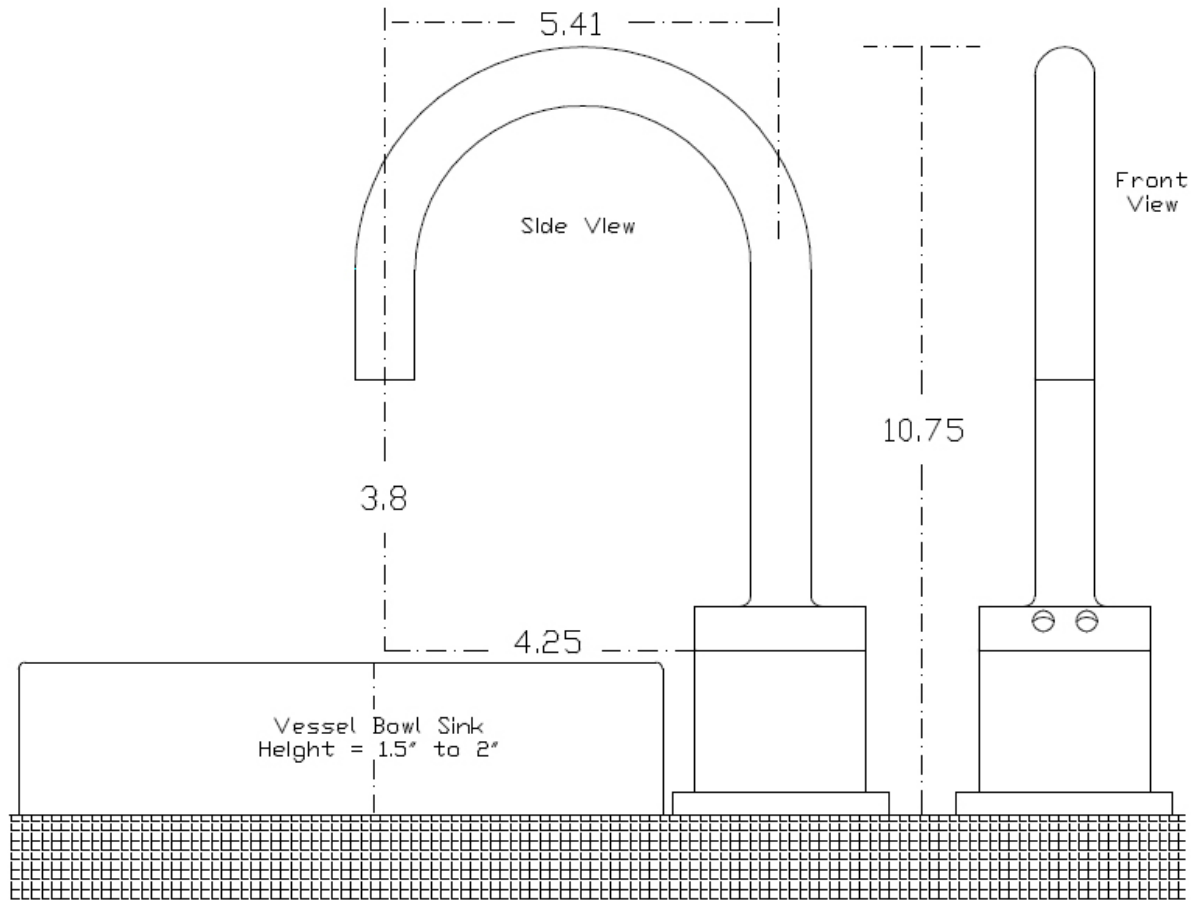
## SPECIFICATIONS AND DIMENSIONS

MODEL:	<b>FA400-1102</b>
SPOUT:	SOLID BRASS
POWER:	4 (AA) BATTERIES / AC ADAPTER OPTIONAL
BATTERY LIFE EXPECTANCY:	200,000 CYCLES
WATER TEMPERATURE CONTROL:	OPTIONAL
SENSOR TYPE AND LOCATION:	ACTIVE INFRARED, BASE MOUNT
SENSOR MICROPROCESSOR:	DIGITAL, PUG AND PLAY
SENSING RANGE:	2" TO 8" ADJUSTABLE
RESPONSE TIME:	0.3 SECOND
SHUT-OFF DELAY TIME:	3 SECONDS
MAXIMUM RUNNING TIME:	60 SECONDS
AERATOR:	2.2 GPM STANDARD, OPTIONS AVAILABLE

### Optional Equipment:

- Lavatory Drain, Grid and Pop-Up Type.
- Adjustable Under the Sink Mixing Valve.
- Matching Above The Sink Water Mixing Valve (**residential applications only**).
- Matching Soap Dispenser.
- Matching Off-Body Pop-Up Lift (**residential applications only**).
- AC Adapters.

All Dimensions in Inches



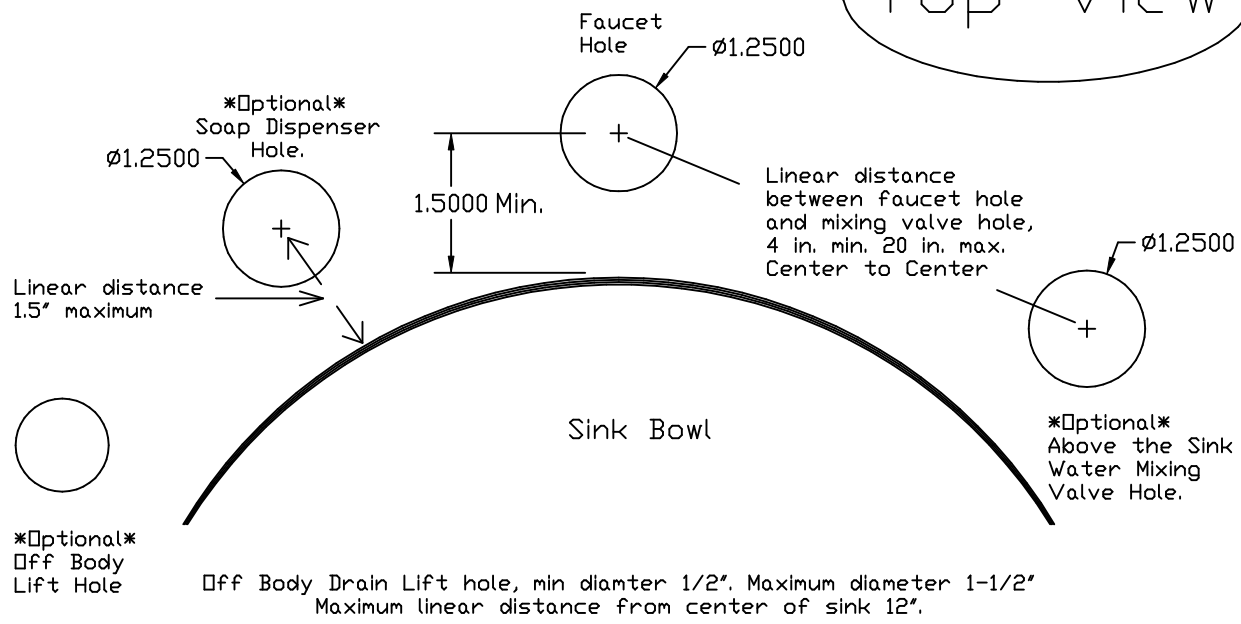
MAC Faucets 1289 North Post Oak Rd. Suite 160 Houston TX 77055

[www.macfaucets.com](http://www.macfaucets.com) Tel 713 316 9700 or 866 558 3200 Fax 310 919 3073 Email [Info@macfaucets.com](mailto:Info@macfaucets.com)

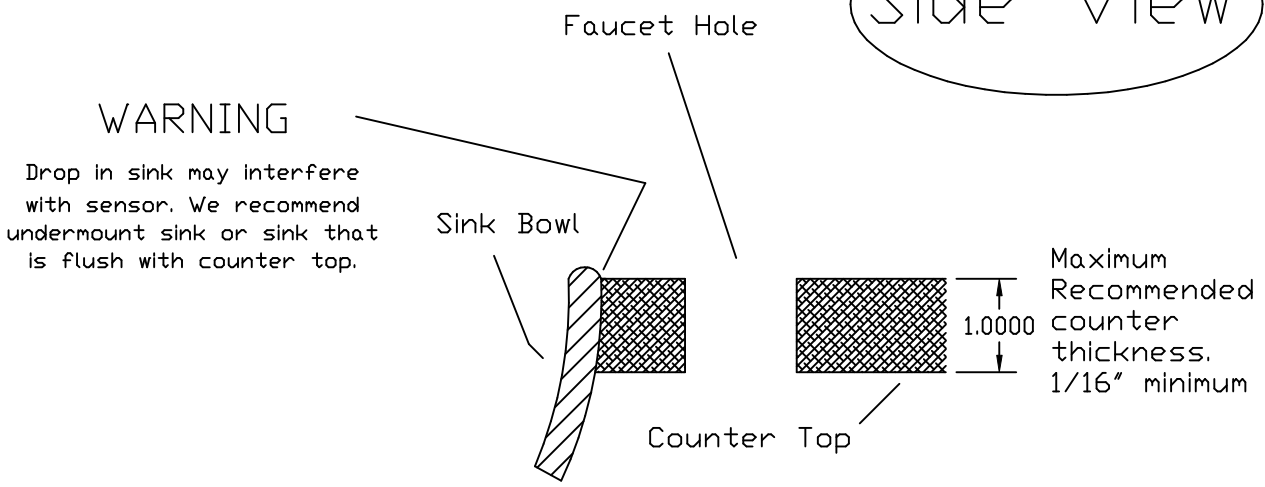
# MAC FAUCETS

Rough-in for Deck Mounted Faucets,  
Water Mixing Valves, and Soap  
Dispensers

Top View

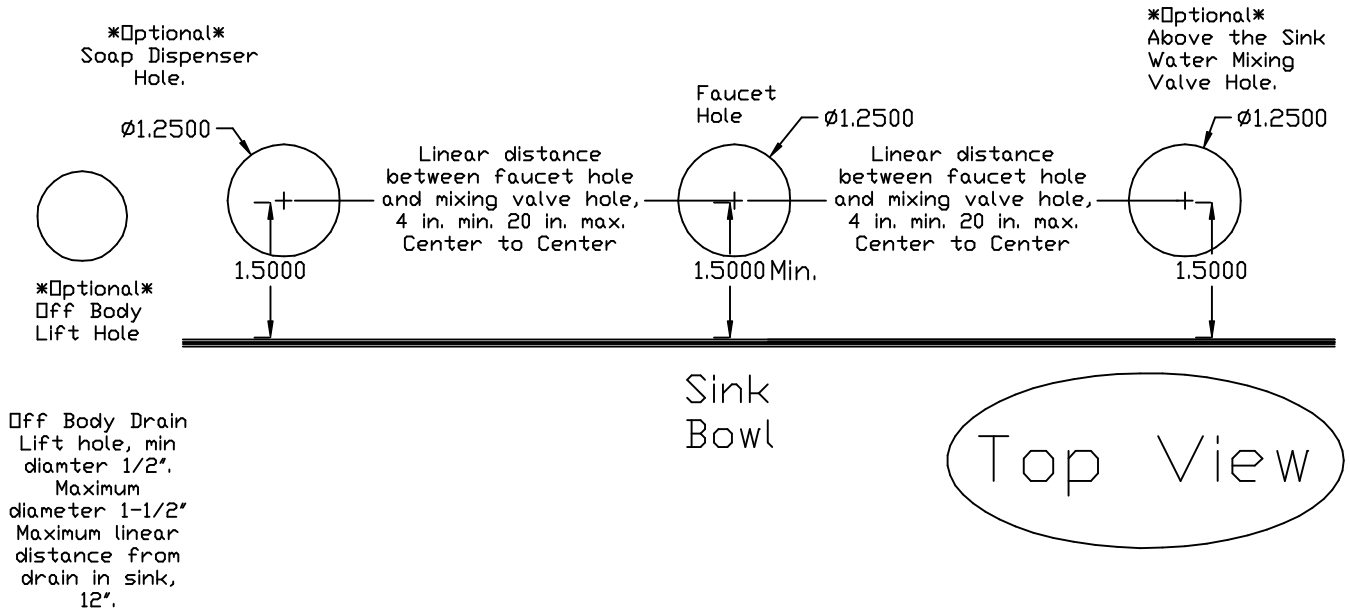


Side View



# MAC FAUCETS

Rough-in for Deck Mounted Faucets,  
Water Mixing Valves, and Soap  
Dispensers



## WARNING

Drop in sink may interfere with sensor. We recommend undermount sink or sink that is flush with counter top.

Sink Bowl

Counter Top

Faucet Hole

Side View

Recommended counter thickness. If thicker, please call MAC Faucets for verification.... 1/16" minimum

1.5000