



FA444-31 SPEC SHEET

# MAC FAUCETS

The Leader in Decorative Automatic Faucets Worldwide

## *Industry Standard™* Faucet Line



**Model: FA444HD-31**

### Featuring:

- **Solid Brass Faucet.**
- **Solid Brass Operating Valve.**
- **Resin Encased Control Electronics.**
- **Battery powered, 4 standard AA batteries.**
- **360 Degree Rotating Neck.**
- **Visible Low Battery Indicator.**

### Package Includes

*Faucet*

*FA444HD Automator*

**Please Note: Faucet  
Sold Without Drain**

*Stainless Steel Hose*

*Mounting Hardware*

**Batteries Pre-installed**

*All the hardware necessary for  
satisfactory installation*

ANSI A112.18.1M

CSA Standard B125, 2.2  
U.S. GPM

Complies with NSF  
Standard 61, Section 9



The model 444-31 is ideal for medical, laboratory, industrial and food handling applications. Although the model 31 is in fact the **ONE OF THE BEST PRICED electronic faucet available on the market today**, this unique faucet is rated **HEAVY DUTY** and features the Faucet Automator model FA444HD. Manufactured to last, the FA444HD employs plug and play digital electronics, hermetically sealed sensor capsule with visible low battery indicator, also employed perhaps the largest most reliable **SOLID BRASS** solenoid valve of any electronic faucet.

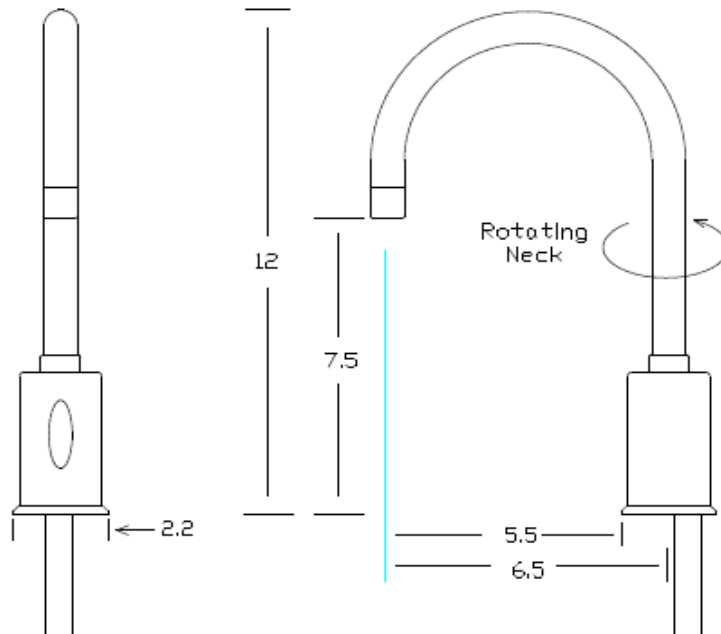
## SPECIFICATIONS AND DIMENSIONS

MODEL:	<b>FA444HD-31</b>
SPOUT:	CHROME PLATED SOLID BRASS
POWER:	4 (AA) ALKALINE BATTERIES OR AC ADAPTER
BATTERY LIFE EXPECTANCY:	200,000 CYCLES
SOLENOID VALVE:	6 VOLT MAGNET LATCHING
WORKING WATER PRESSURE:	1 PSI -100 PSI
SUPPLY INLET SIZE:	1/2" NPT MALE
WATER TEMPERATURE CONTROL:	NONE
POP-UP DRAIN ROD:	NONE
SENSOR TYPE AND LOCATION:	ACTIVE INFRARED, NECK MOUNT
SENSOR MICROPROCESSOR:	DIGITAL, PUG AND PLAY
SENSING RANGE:	2" TO 6"
RESPONSE TIME:	0.6 SECOND
SHUT-OFF DELAY TIME:	2 SECOND
MAXIMUM RUNNING TIME:	60 SECONDS
PARTICLE FILTER SIZE:	50 MESH
AERATOR:	2.2 GPM. OPTIONAL 1.0 GPM, 0.5 GPM

### Optional Equipment:

- Lavatory Drain, Grid and Pop-Up Type.      • Deck Plate for 8" Center Sinks.
- Adjustable Under the Sink Mixing Valve.      • Matching Above The Sink
- Water Mixing Valve.      • Matching Soap Dispenser.      • Matching Hole Cap
- Cover.      • Matching Off-Body Pop-Up Lift.      • AC Adapters.

All Dimensions in Inches



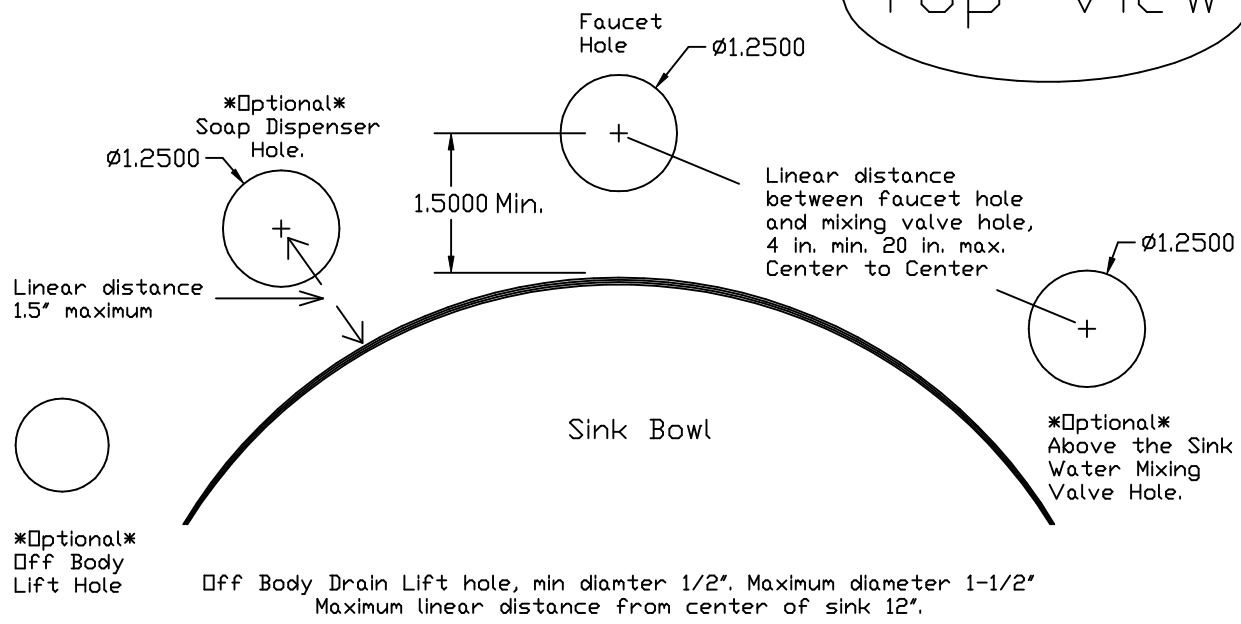
MAC Faucets 1289 North Post Oak Rd. STE 160 Houston TX 77055

[www.macfaucets.com](http://www.macfaucets.com) Tel 866 558 3200 Fax 310 919 3073 Email [Info@macfaucets.com](mailto:Info@macfaucets.com)

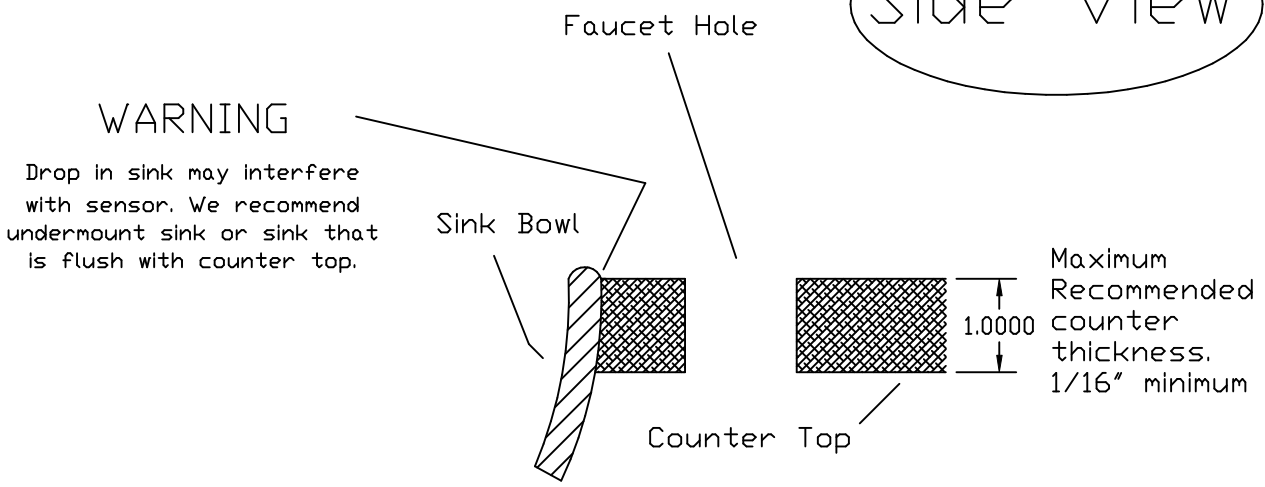
# MAC FAUCETS

Rough-in for Deck Mounted Faucets,  
Water Mixing Valves, and Soap  
Dispensers

Top View

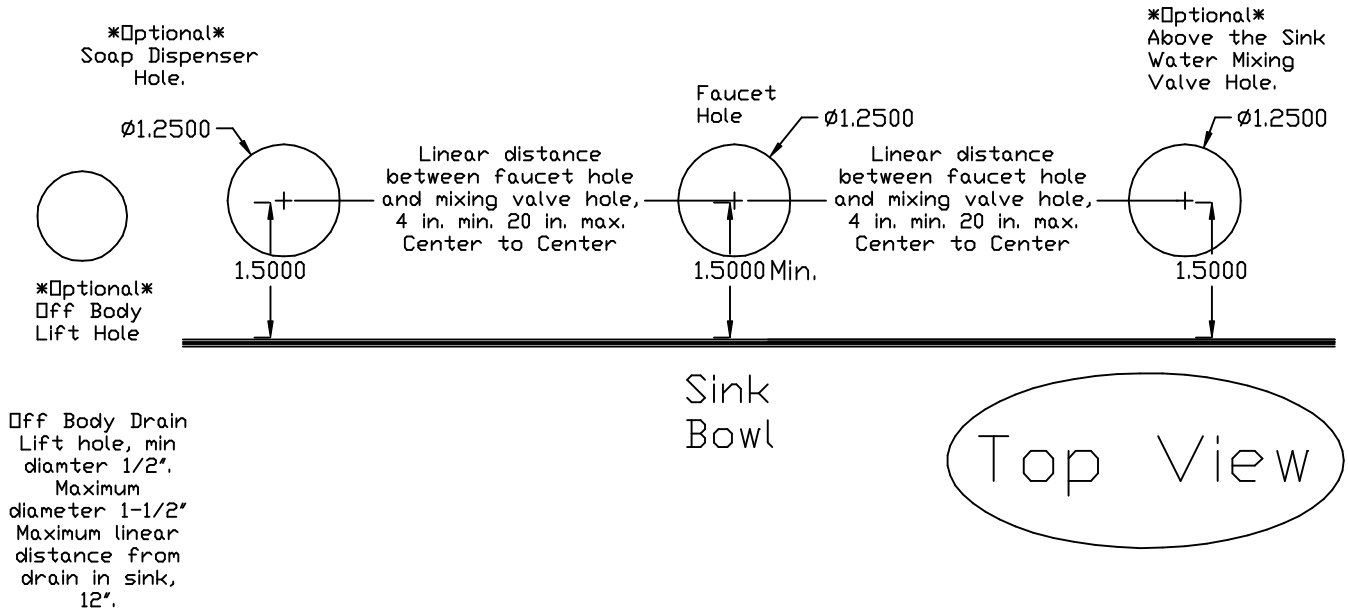


Side View



# MAC FAUCETS

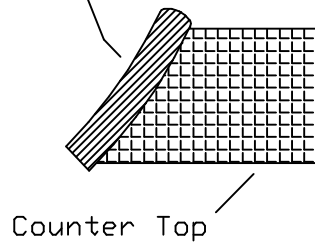
Rough-in for Deck Mounted Faucets,  
Water Mixing Valves, and Soap  
Dispensers



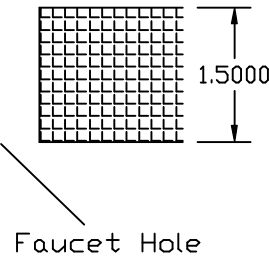
## WARNING

Drop in sink may interfere with sensor. We recommend undermount sink or sink that is flush with counter top.

Sink Bowl



## Side View



Recommended counter thickness. If thicker, please call MAC Faucets for verification.... 1/16" minimum