

MAC FAUCETS

Automatic Hand Dryer



Package Includes

HEPA filter

*Voltage
AC 110-120V
Single-phase*

*Input
1200-1450W*

*All hardware necessary for
satisfactory installation*



MODEL AHD-5

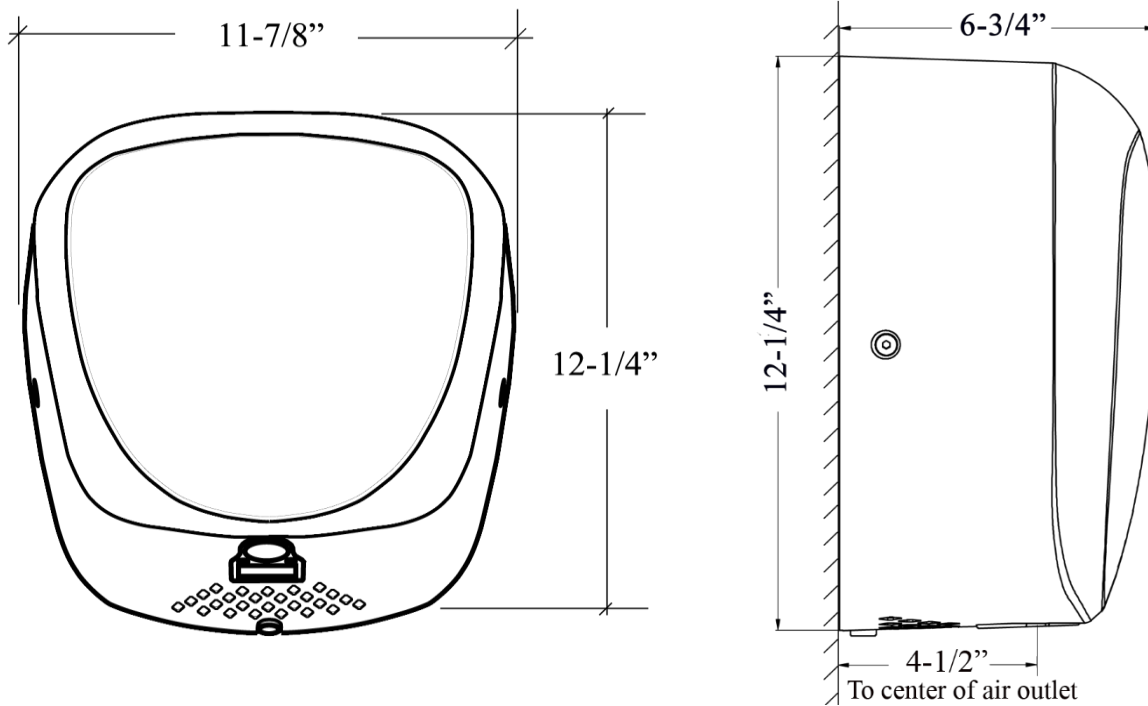


Features:

- **0-15 seconds dry time, quick dry for your hands**
- **80% less energy than conventional hand dryers**
- **HEPA Filtration System proven to remove 99.97% of potential bacteria**
- **304 stainless steel one-piece molded cover, stable and durable**
- **Smart Heater adjust based on environment temperature, LED indicator**
- **CE/UL approval electric parts and overtime protection, quality and safe**
- **45 seconds overtime protection and overheating protection**
- **83 dB Noise**
- **Available in Twenty + Matching Finishes**

SPECIFICATIONS	
MODEL:	AHD-5
VOLTAGE:	110-120 ACV
PHASE:	SINGLE-PHASE
INPUT	1200-1450W
HEATING POWER:	650-750 W
SENSOR TYPE:	ACTIVE INFRARED,
SENSING RANGE:	6" - 8"
MOTOR	BRUSH MOTOR
WIND SPEED	70M/S
PROTECTION CLASS	1PX1 PROTECTION
FINISHES	AVAILABLE IN 20 + FINISHES.

All Dimensions in Inches



NOTES: