

# MAC FAUCETS

The Leader in Decorative Automatic Faucets Worldwide



**Model: FA-3280**

## Featuring:

- Solid Brass Faucet.
- Lead-Free Construction
- Matching Electronic Soap Dispenser
- Digital Plug and Play System.
- Resin Encased Control Electronics.
- Battery powered, A/C Option.
- Visible Low Battery Indicator.
- ADA Compliant
- Vandal Resistant



lead-free



## Package Includes

*Faucet*

*Solenoid Valve*

**Please Note: Faucet Sold Without Drain**

*Stainless Steel Hose*

*Mounting Hardware*

**Batteries Pre-installed**

*All the hardware necessary for satisfactory installation*

ANSI A112.18.1M

CSA Standard B125, 1.5 U.S. GPM

NSF/ANSI/CAN61-2022 Certified

## Optional Equipment:

Lavatory Drain, Grid and Pop-Up Type

Deck Plate for 4" and 8" Center Sinks

Adjustable Under the Sink Mixing Valve

Matching Soap Dispenser

Matching Hole Cap Cover

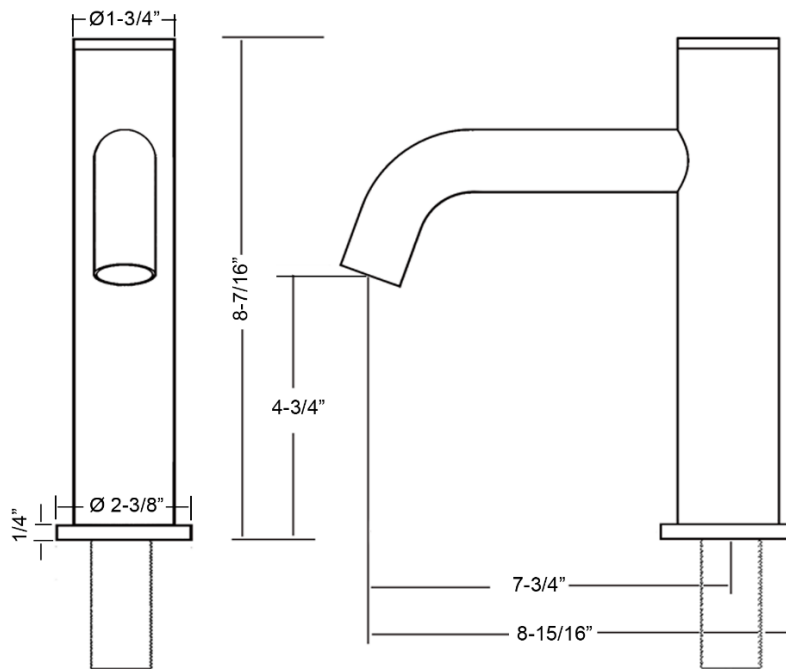
AC Adapters

The model FA-3280 is ideal for decorative commercial and industrial applications. Although the model 3280 is in fact **ONE OF THE BEST PRICED** electronic faucets available on the market today, this unique faucet is rated **HEAVY DUTY** and features the Faucet model FA-3280 Manufactured to last, employs plug-and-play digital electronics, hermetically sealed sensor capsule with visible low battery indicator, and employs one of the most reliable solenoid valves of any electronic faucet.

## SPECIFICATIONS AND DIMENSIONS

MODEL:	<b>FA-3280</b>
SPOUT:	LEAD-FREE SOLID BRASS
POWER:	4 (AA) ALKALINE BATTERIES OR <b>AC ADAPTER</b>
BATTERY LIFE EXPECTANCY:	300,000 CYCLES
SOLENOID VALVE:	6 VOLT MAGNET LATCHING
WORKING WATER PRESSURE:	1 PSI -100 PSI
SUPPLY INLET SIZE:	1/2" NPT MALE
WATER TEMPERATURE CONTROL:	NONE
POP-UP DRAIN ROD:	NONE
ELECTRONIC SOAP DISPENSER	<b>OPTIONAL: WE RECOMMEND PYOS-3200 ELECTRONIC SOAP DISPENSER</b>
SENSOR MICROPROCESSOR:	DIGITAL, PLUG, AND PLAY
SENSING RANGE:	2" TO 6"
RESPONSE TIME:	0.6 SECOND
SHUT-OFF DELAY TIME:	3 SECOND
MAXIMUM RUNNING TIME:	<b>30 SECONDS</b>
PARTICLE FILTER SIZE:	50 MESH
AERATOR:	1.5 GPM. OPTIONAL 0.5 GPM

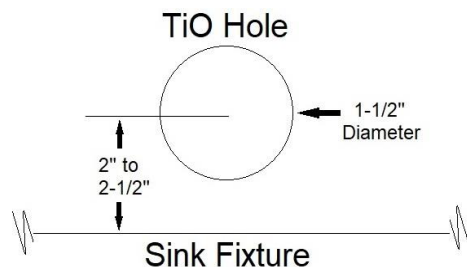
### All Dimensions in Inches



### Rough-in

**Countertop Thickness: Up to 2-1/2"**

**Available: Extra Long Shanks for Thicker Countertops Please call before ordering**



**MAC FAUCETS, LLC**

www.macfaucets.com Tel 866 558 3200 Fax 310 919 3073 Email info@macfaucets.com