



Installation Procedure:



Take a moment to view all drawings and to read “special Installation note” on page 5 of this manual before proceeding with installation. *Connect the Faucet Automator model FA400 exactly as shown in the drawing, with the sensor cable connection on the left.* Failure to install Faucet Automator Model FA400 exactly as shown will result in premature product failure and will void all warranties including extended warranty. Also, do not forget step 7.



01 Make sure surface area is clean and free of debris.

02 If using deck plate, place plate on deck immediately over center sink hole.



Install new faucet by placing sensor wire through the hole designated for spout.

Make sure that wires are not pinched or cut during installation. **Cutting or severely crimping sensor wire will cause faucet to malfunction and will also void warranty.** Sensor wire is specifically designed to resist damage, simple careful steps and common sense is all that is necessary for a complete and rewarding installation process. *You may use silicon or similar sealer between faucet and deck plate.*

03 Affix faucet above plate (if used).

04 Slide rubber washer and stainless steel washer over faucet shank. Insert sensor wire through special “C” groove in washers.

Install retainer nut over faucet shank and tighten. (Do Not Over Tighten).

05 Remove stainless steel braided hose from package and fasten the small end of the hose to threads located inside of shank.

06 Locate a spot on the wall that you feel is suitable for installing Faucet Automator FA400. The spot selected should be within reach of braided hose and sensor wire. Place Faucet Automator FA400 against the wall and mark the spots (2) where mounting holes will be. Using a drill size 1/4” drill 2 holes, insert supplied anchors in the holes.

07 **This step is for battery Powered Faucets Only. If your faucet is AC powered, skip this step.**

Remove rubber band (or tape) that keeps the Faucet Automator’s cover to its base. Remove black square rubber cap off battery compartment, plug battery wire

harness into battery pack. Make sure that harness plug makes solid contact with battery pack.

Place black square rubber cap back onto battery compartment. Using 4 small screws fasten Faucet Automator cover to base.

08 Faucet Automator FA400 using supplied fasteners.

09 Install shank hose to the Faucet Automator’s water outlet (top).

10 Align groove in sensor wire plug with pin in Faucet Automator FA400 sensor receptacle, insert plug into receptacle, fasten plug nut by hand only. **DO NOT CROSS THREAD OR OVER TIGHTEN.**



Before proceeding to steps 11 or 12, purge both hot and cold water lines for at least a minute each at high volume. Purging water lines clears out dirt and debris that would otherwise find its way to screen filter.

11 For single water source application install cold water supply hose to Faucet Automator’s water inlet. **Do not install hot water supply hose only in single water source application as this may result in scalding injury...**

11 For dual water temp system install **MAC A-12910 mixing valve** outlet to Faucet Automator’s water inlet.



Install hot and cold water supply hoses to mixing valve. Turn angle stops on. Check for leaks.

13 This step is for AC Powered Faucets Only. Battery powered faucets ignore this step. Plug Automator to wall AC.

To enable the faucet to activate from a farther distance or to stay on longer after hands are removed, see “sensor range adjustment” section of this manual.

To increase or decrease water flow volume, see “flow rate adjustment” section of this manual.

MAC FAUCETS

When Style Matters

Flow Rate Adjustment:



Flow rate is governed by supply pressure and the type of aerator used on the faucet. When necessary adjust flow rate as follows:

- 01 Remove Faucet Automator's enclosure cover (see battery replacement instruction for enclosure cover removal and installation).

- 02 When enclosure cover is removed, look for stop at the inlet of the chrome plated brass valve, the stop is in the form of a brass screw that is usually chrome plated.

- 03 To lessen flow rate, turn screw clock wise; several turns may be needed.

- 04 After the desired flow rate is reached, place the Faucet Automator's cover back on.

Filter maintenance:



Read carefully before attempting to clean filter. Make sure that you have an adjustable wrench for this job.

Although the Faucet Automator FA400 employs one of the largest filter screens of its kind, filter screen may become restricted or severely clogged due to floating debris in water supply pipes. The frequency of recommended service depends on the age of building, make up of pipes and quality of water among other factors. Restricted filter diminishes faucet performance and, in some cases, may damage faucet. A restricted filter manifests itself in reduced water flow out of faucet.

When necessary, clean filters as follows:

- 01 Unfasten both hoses that are connected to Faucet Automator FA400.
- 02 Unplug sensor wire by unscrewing sensor wire nut first, then pulling sensor wire out. To prevent damage to sensor wire **Do Not Pull Wire, Pull Wire Plug.**
- 03 Uninstall faucet Automator FA400 from wall mount, place on horizontal surface over an absorbent cloth.

- 04 Unfasten the 4 Philips screws on the sides of the Faucet Automator FA400 (these screws are none magnetic stainless steel).

- 05 Remove enclosure cover.

- 06 Unplug solenoid wires (yellow and white) **Do Not Sever Wires.**

- 07 Remove complete solenoid valve out of enclosure.

- 08 Using adjustable wrench, unfasten and remove filter cap.

- 09 Pull out filter screen by hand and clean over running water.

- 10 Make sure that filter screen valve cavity is clean and free of debris.

- 11 Re-install filter screen and fasten filter cap using Allen wrench. Make sure O ring is wet prior to installing filter cap back on.

- 12 Re-assemble the Faucet Automator FA400 and re-install hoses and sensor wire.

Limited Warranty

Mac Faucets warrants this faucet to be free of defects for a period of one year from the date of purchase. Mac Faucets will replace, free of charge, during this warranty period, parts that prove defective when properly installed and under normal use and service. Damage that occurs as a result of abuse, improper installation, environmental conditions, or improper application will void this warranty. Products must be shipped with postage and handling prepaid, along with dated proof of purchase. This warranty does not cover installation or any other labor charges. It does not cover shipping and handling of both replacement parts and returned defective parts. Products or components that have been altered or in any way modified will not be covered under this warranty. Replacement parts are under warranty only for the remaining period under the initial warranty. Some states do not allow for exclusion of incidental or consequential damage.

MAC FAUCETS

When Style Matters

Operation:



Place hands under spout and directly in front of neck mounted sensor; water will begin to flow out in less than a second, water flow rate is governed by aerator and supply pressure, water temperature is governed by selection at angle stops, mixing valve, as well as water temperature in supply pipes.



Please remember, automatic faucets employ “presence” not “motion” sensors. An idle object placed directly underneath spout will immediately activate faucet.



Remove hands and water will cease to flow within 1-3 seconds.



If hands are left underneath spout for 30 or 60 seconds, water will automatically shut off. To initiate flow again move hands away from faucet and start at step 1.



When attempting to run water over small objects such as a tooth brush, it may be necessary to bring object closer to sensor to initiate water flow, when water begins to flow, move object back under stream of water. Once user “gets the feel” of the faucet this step may be skipped.

Sensor Range Adjustment:



Sensor range is adjusted for optimal performance prior to shipping faucet. However, it may be necessary to adjust sensor range in the field.

01

Remove Faucet Automator’s enclosure cover (see battery replacement instruction for enclosure cover removal and installation).

02

When enclosure cover is removed, look for small (about 1/2” diameter) rubber plug located in the center of the electronics cover (please refer to photo detail on page 5 of this manual for the proper location of the sensor range adjustment screw).

Remove the plug, the sensor range adjustment screw is located inside of the plug.

03

Use the small screw driver which is shipped with the faucet (Faucet Automator) to turn the screw. For longer sensor range turn screw clockwise, for shorter range turn screw counterclockwise. **Be very careful not to damage screw.** It might be necessary to turn the screw several times before the desired results are attained.

04

When satisfied with sensor range, place the rubber plug and enclosure cover back on.



Please note: Sensors that are adjusted for longer range may be triggered unnecessarily by individuals walking in front of sink. Please adjust sensor range with that in mind.

Battery Replacement Instructions:



Batteries should provide 12 to 24 months of reliable service mostly depending on the make of battery used and the frequency of usage among other factors. When replacing batteries please follow these simple steps:

1. Unfasten the 4 Philips screws at the sides of the Faucet Automator FA400 (these screws are none magnetic stainless steel).
2. Hold both water fittings down and carefully remove enclosure cover. **Cover holds solenoid valve in place and when removed, solenoid valve may fall out.**
3. Remove the square rubber cap off the battery compartment.
4. Pull battery pack out and disconnect from wire harness.
5. Replace batteries with **4 Duracell Brand AA Alkaline** batteries. Make sure batteries are placed in their proper position.
6. Re-install battery pack by re-plugging wire harness. Make sure that harness plug makes solid contact with battery pack. Place square rubber cap back on.
7. Test faucet prior to placing enclosure cover back on.
8. Place enclosure cover back on. Fasten 4 Philips screws.

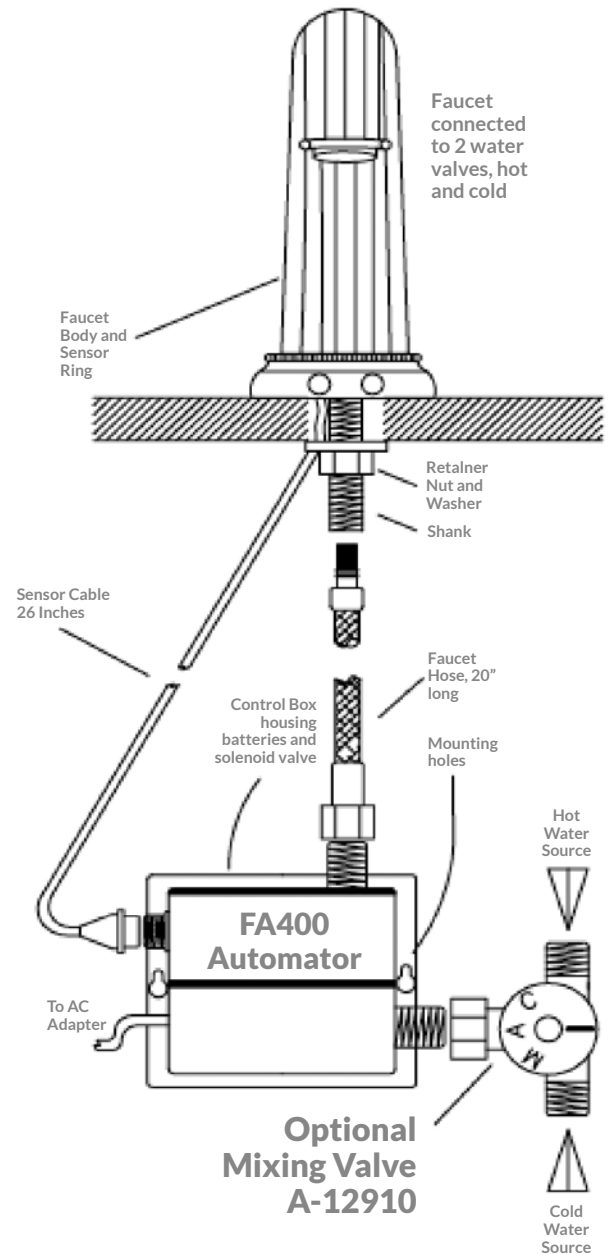
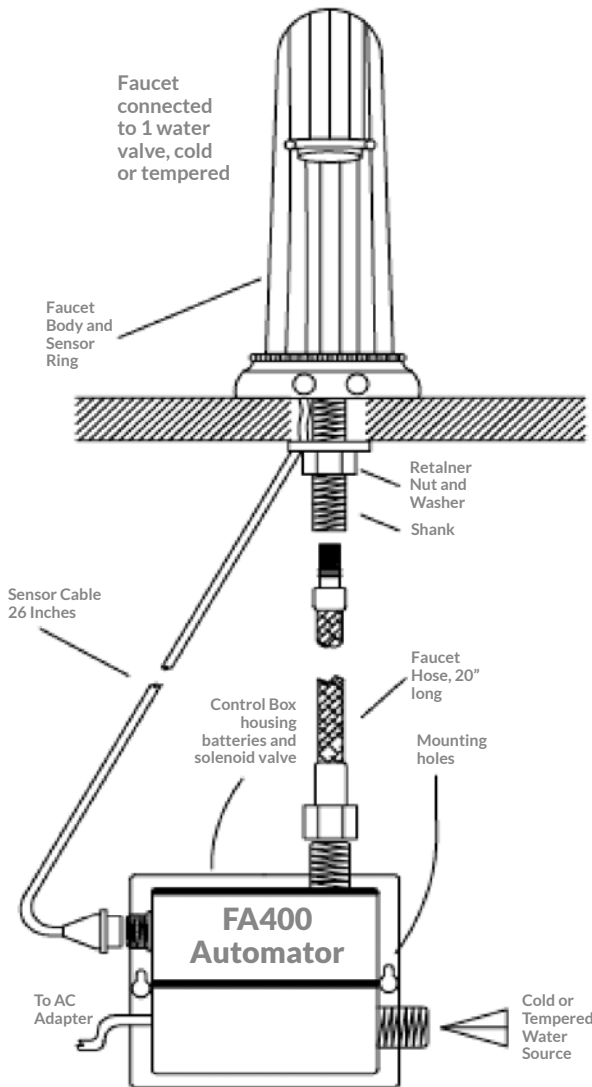
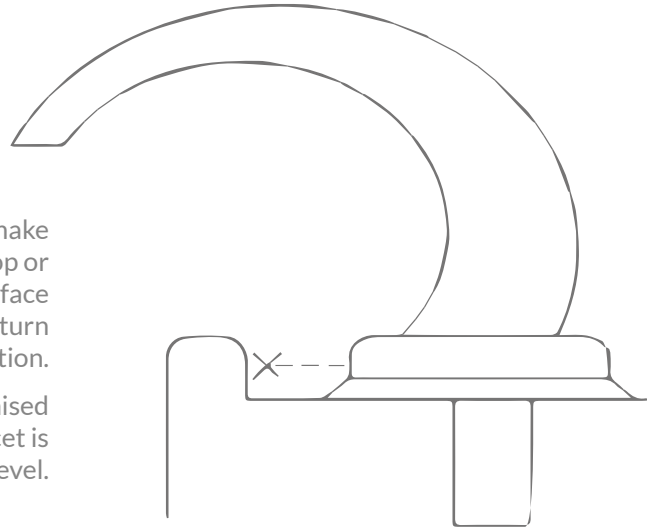
MAC FAUCETS

When Style Matters

Installation Drawings

When installing your automatic faucet, make sure that the sink is flush with countertop or below it. If sink is raised above counter surface it may block the sensor eye which in turn causes faucet to malfunction.

If your application calls for a sink that is raised above counter, make sure that the faucet is elevated at the same level.



Trouble Shooting:

1. Faucet does not operate:

2. Hands are not placed properly under spout and inline with sensor.
 3. Batteries need replacing. Replace batteries, see battery replacement instructions.
 4. Batteries are installed improperly in battery pack, the battery harness not plugged in properly, refer to installation instruction, and battery replacement instructions.
 5. Sensor wire loose, unplugged, plugged improperly, plug sensor wire properly. See installation instructions.
 6. Sensor range requires adjustment, see sensor range adjustment instructions.
 7. Sink is raised above the counter and blocking "sensor's vision", reinstall properly.
 8. No water, very low water pressure in supply pipes, supply valves closed.
 9. Water pressure very high, well above 115 PSI.
 10. Screen filter severely clogged up.
 11. Supply hoses severely kinked.
- ## 12. Faucet operates on and off "by it self":
13. Sensor range adjusted too long, and must be adjusted for shorter range. See sensor range adjustment section of this manual.
 14. Objects such as sink lip may be present in close proximity to sensor.

15. (Rare) This condition is probably caused by a defective neon light or direct sun light.

Faucet leaks, drips:

Constant leaks or drips indicate defective solenoid valve, send Faucet Automator for repair or contact an authorized plumbing professional.

If the Faucet continues to run for 30 -60 seconds after hands are removed then shuts off:

This very rare condition generally occurs due to oversensitivity on the part of the sensor, system water pressure well above 70psi and an overly lit bathroom environment. This condition is always field curable.

1. Turn down water flow rate, see water flow rate adjustment.
2. Replace aerator with 0.5 GPM aerator (when possible).
3. Adjust sensor range to "shorter". See sensor range adjustment instructions.

Loud thump noise when faucet turns on and off.

This is an issue commonly associated with diaphragm type valves such as washing machine valves, dishwasher valves, etc. The noise is generally present in the piping system. Clear winner remedies are:

1. Lower water flow rate (see flow rate adjustment section of this manual).
2. Install "hammer arrestors" in close proximity to your automatic faucet. Please consult a plumbing professional for this task.

Special Installation Note

Automatic faucets are design to perform properly in a variety of applications. There are some conditions, however, that may adversely impact the faucet's ability to perform. Please note the following conditions prior to installing you new faucet:

01 Your automatic faucet is designed for **indoor applications**. This faucet is not designed for outdoor applications.

02 Avoid installing your new faucet in direct sunlight. Direct sunlight that is focused on sensor will temporarily impede faucet's sensing capabilities.

03 If you choose to install your faucet to one water source only, **do not install to hot water only** as this may result in scalding injury.

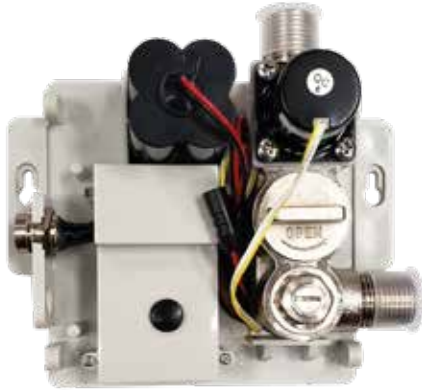
04 **Important:** Before connecting supply line to Faucet Automator, purge both hot and cold water lines for at least one minute each at high volume. Purging water lines clears out dirt and debris that would otherwise find its way to the screen filter within the solenoid valve.

05 **Important:** Do not use pipe putty on water connection to faucet. Pipe putty may cause immediate and irreversible damage to solenoid valve. Please use Teflon tape instead.

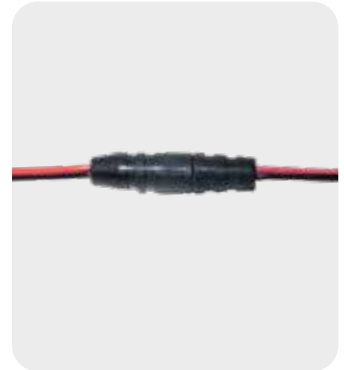
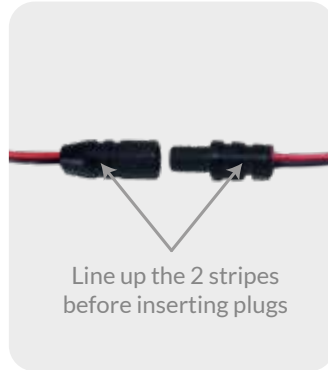
06 **Important:** If you do not plan on using faucet immediately after installation (within 30 days of installation), disconnect water supply lines to faucet and unload the water pressure that may be present in faucet. This will keep new solenoid valve components from bonding together under high pressure.

Installation Addendum

(as of February 2013)



FA400 Automator is now equipped with the new water resistant battery compartment.



Installation Step #7. Simply Plug 2 plugs with red and black wires together after lining up stripes. More below under Battery replacement.

Battery Replacement Addendum



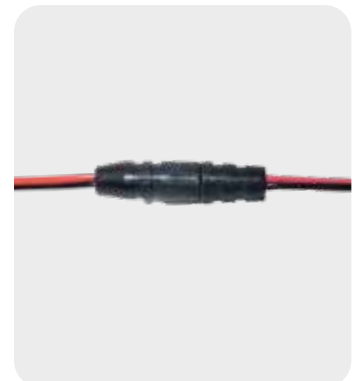
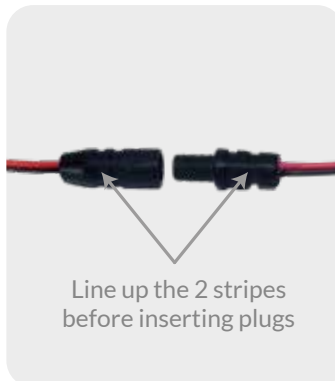
Remove Screw using a #2 Philips screw driver.



Open cap and replace with Duracell brand copper top batteries only. Make sure to insert batteries as shown in photo.



When reinstalling cap, align arrows and tighten screw using #2 Philips screw Driver.



Make sure that pins line up with receptacle holes, then line up stripes as shown in photos above prior to inserting plugs.

MAC FAUCETS

FA400 Autoluxe Faucet



FA400-1100 SN



FA400-1200 PC



FA400-1400 SN



FA400-101 PC



FA400-109 SN

Matching Pairs



MP1100 SN
Matching Electronic Faucet
and Electronic Soap Dispenser



MP1200 PC
Matching Electronic Faucet
and Electronic Soap Dispenser



MP1400 SN
Matching Electronic Faucet
and Electronic Soap Dispenser



MP101 PC
Matching Electronic Faucet
and Electronic Soap Dispenser



MP109 SN
Matching Electronic Faucet
and Electronic Soap Dispenser



MP3260 SN
Matching Electronic Faucet
and Electronic Soap Dispenser

Optional Equipment



A-13000
Lavatory drain Grid Type with
over Flow Port

A-13100
Lavatory drain Grid Type without
over Flow Port



A-12910
Adjustable under
sink mixing valve



ATV-2 SN
Automatic Toilet
Flush Valve



AUV-2 SN
Automatic Urinal
Flush Valve

MAC FAUCETS

New Suite of Products Available in 22 Finishes



MP22 SN
Automatic Faucet &
Automatic Soap Dispenser



ATV-2 SN
Automatic Toilet
Flush Valve



AUV-2 SN
Automatic Urinal
Flush Valve



AHD-5 SS
Automatic Hand Dryer



CHR-32 SS
Coat Hook Round



CHS-34 SS
Coat Hook Square



TH-2 SS
Toilet Paper Dispenser



AAD-12 SS
Automatic Aroma
Dispenser



ASD-13 SS
Automatic Wall Mount
Liquid Soap Dispenser
ASD-23 SS Foam Soap Dispenser



TMGB-18 SS
Triple Martching Grab Bar Set
(42", 36", & 18")



SCD-4 SS
Toilet Seat Cover Dispenser



ATD-10 SS
Automatic Paper
Towel Dispenser