



# MAC FAUCETS, LLC

Electronic Soap Dispensers

## ALL PYOS INSTALLATION MANUAL



**For All**  
PYOS SOAP  
DISPENSERS

☎ 866 558 3200    ✉ info@macfaucets.com

[www.macfaucets.com](http://www.macfaucets.com)

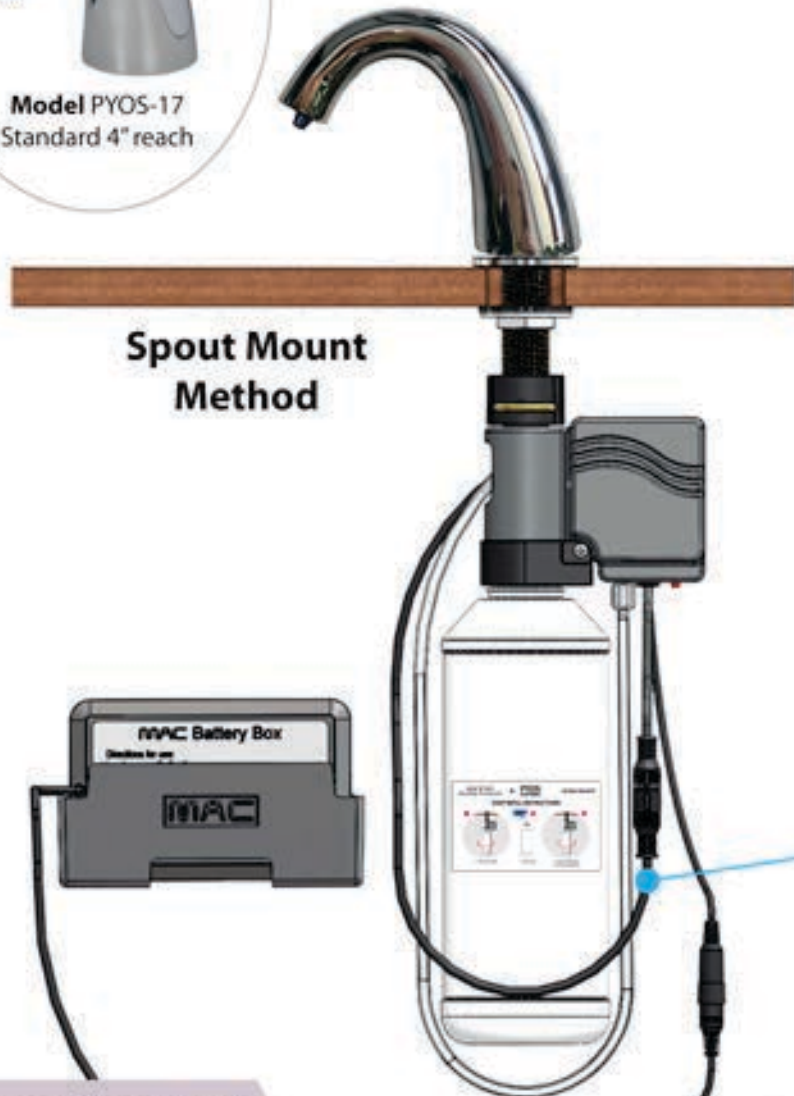
# MAC FAUCETS, LLC

## Mounting Methods

There are 2 options available for mounting pump housing (gray plastic enclosure):

**Spout Mount Method:** Pump housing is mounted onto the spout shank. See below left.

**Wall Mount Method:** Pump housing is mounted to a bracket which is affixed to the wall. See below right.

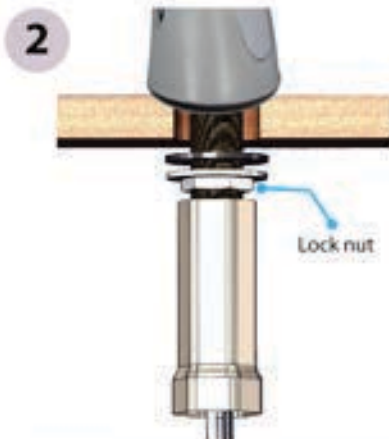
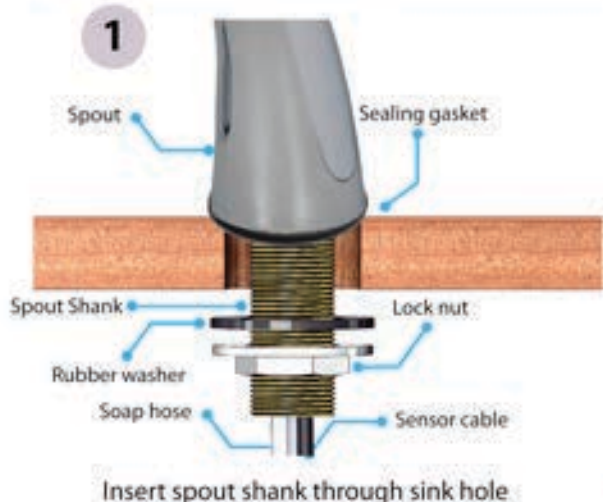


## Tools Needed



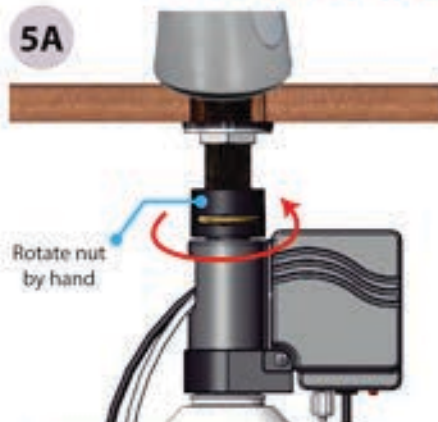
Deck Mounting Installation

Before proceeding, refer to Page 2 for mounting methods, and to page 4 for proper installation of soap dispenser relative to faucet.



Use proper tool to tighten lock nut  
Careful not to damage hose & cable  
Installations using 1 gallon soap container,  
please proceed to page 7.

Spout Mount Method. See page 2



Fasten pump housing onto spout shank by rotating plastic nut by hand only. Do not overtighten  
Skip steps 3B and 4B, go directly to 6 & 7

Wall Mount Method. See page 2.

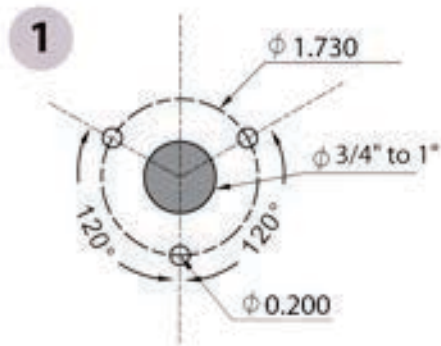


Instructions 6 & 7 below for battery powered units only.

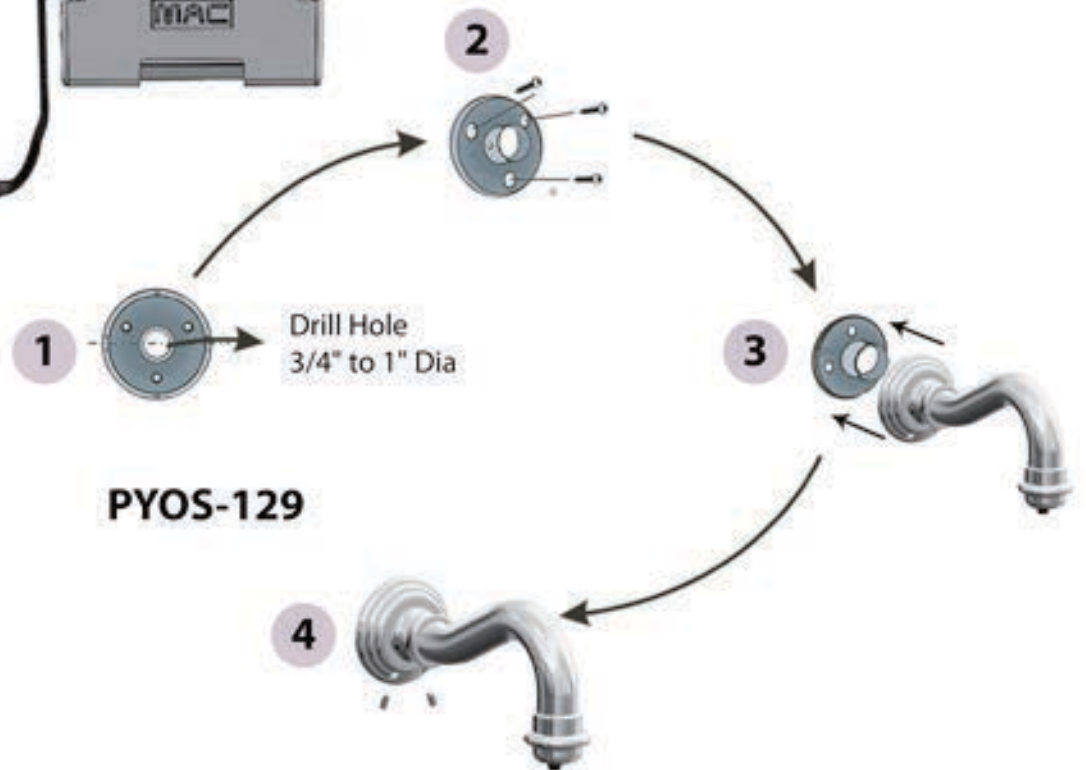
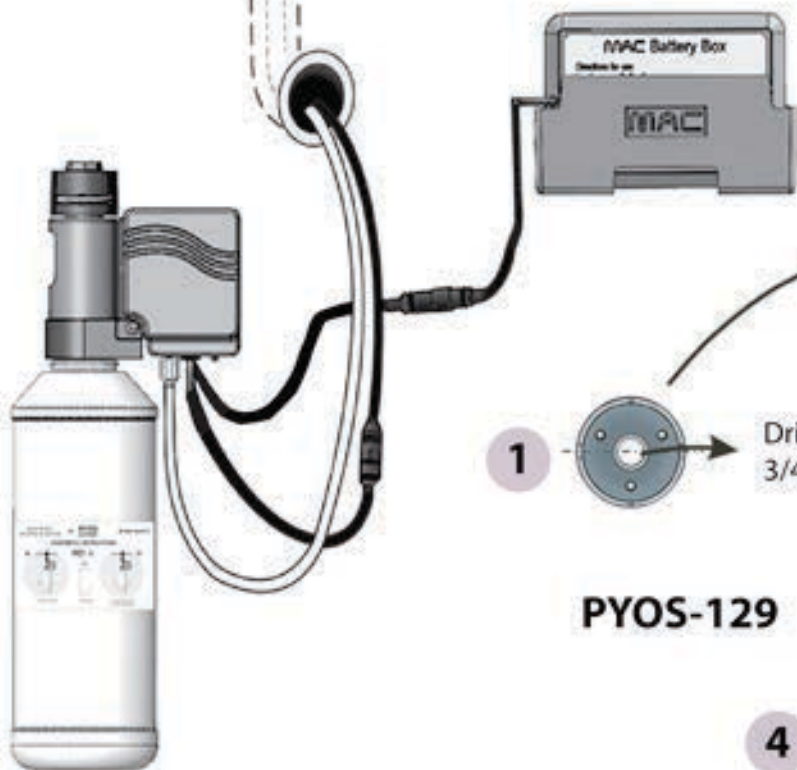
For AC powered units, skip 6 & 7. Go directly to page 5, step 8



PYOS wall mounted soap dispensers



PYOS-L124



PYOS-129

8



OPTIONAL: 110V AC Power supply

Before proceeding to step 8 make sure wall socket has power **OTHERWISE** soap dispenser will not function

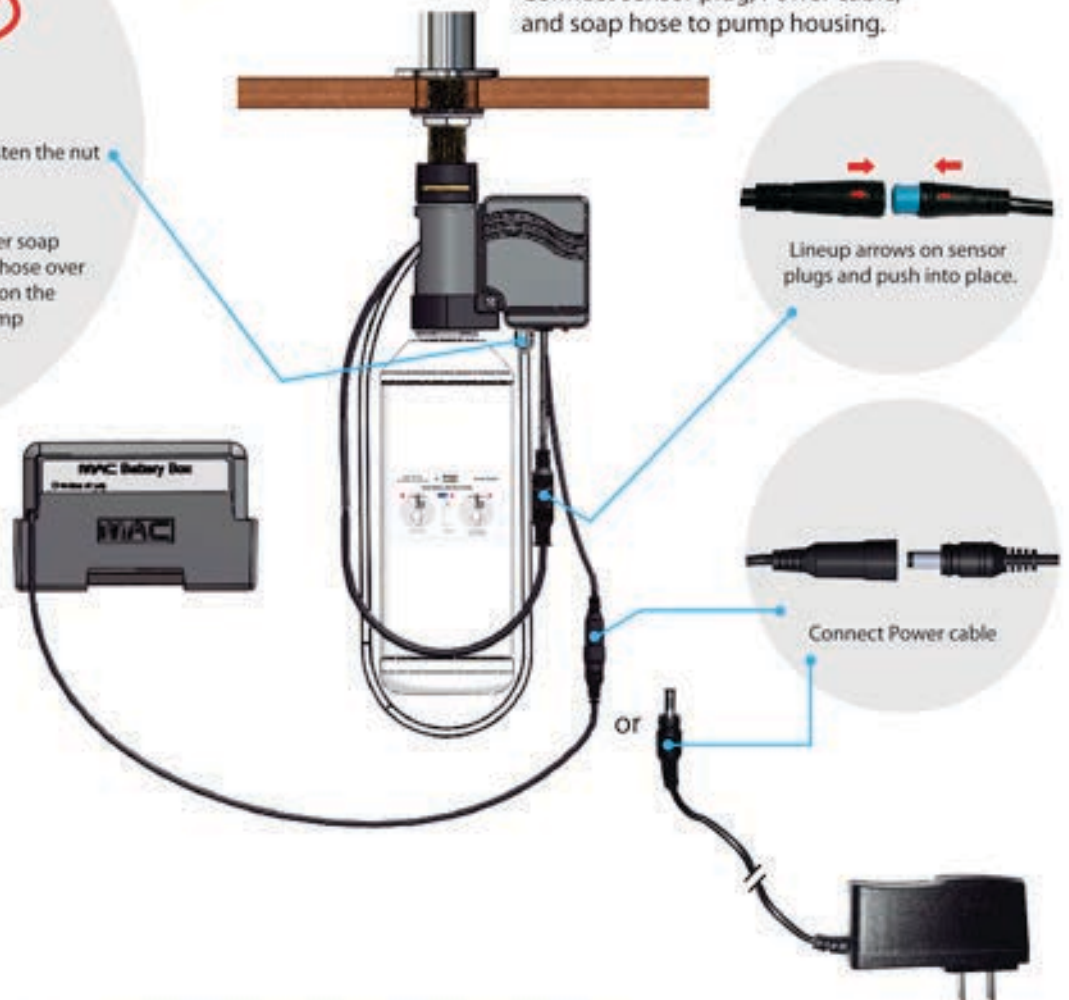
Soap dispensers with **optional AC adapter**: Plug AC adapter into wall socket as usual.

9



Before proceeding to step 9 make sure no objects are present under spout or in front of sensor **OTHERWISE** soap dispenser will not function properly

Connect sensor plug, Power cable, and soap hose to pump housing.



10



Before proceeding to step 10 make sure soap bottle is filled with liquid soap. See page 6, or page 7 (depending on the type of soap bottle or container used) for soap refill instructions

Press and hold the primer button located on the underside of the pump housing until soap pours out of nozzle

## SOAP REFILL INSTRUCTIONS

DO NOT USE HEAVY CREAM SOAPS OR GRIT TYPE SOAPS

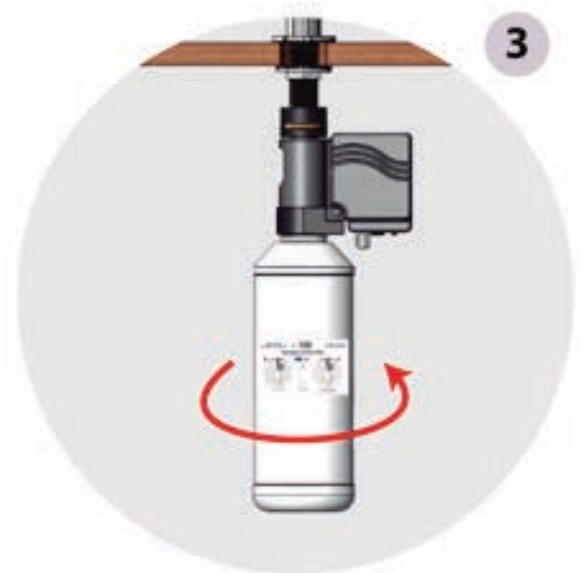
It is best to use the same brand of soap every time, and not to let dispenser remain dry for too long



1. Unscrew the empty bottle



2. Add liquid soap into the empty bottle

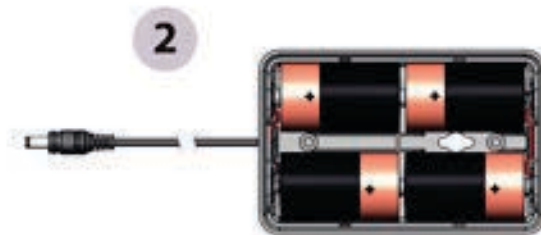


3. Affix bottle filled with soap onto pump housing. Do not overtighten.

## BATTERY REPLACEMENT INSTRUCTIONS



Unfasten 2 cover screws, and lift cover up and away from batteries



Properly place new batteries inside of battery case



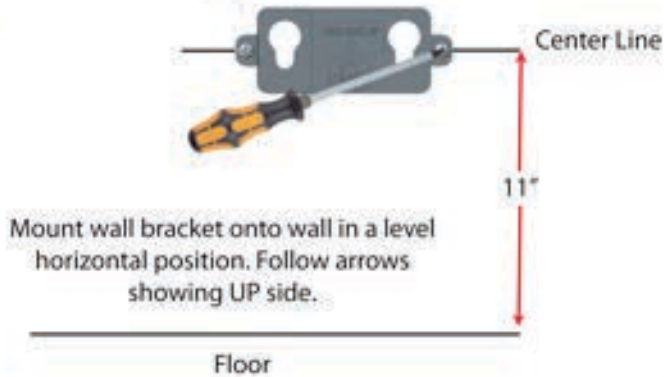
Place cover back onto battery case and fasten 2 cover screws

# GALLON CONTAINER INSTALLATION

NOTE : CONTINUE FROM STEP 2, PAGE 3 OF THE INSTALLATION MANUAL.

GALLON CONTAINER MUST BE PLACED ON LEVEL SURFACE CAPABLE OF SUPPORTING 10LB WEIGHT OR GREATER.

1



Mount wall bracket onto wall in a level horizontal position. Follow arrows showing UP side.

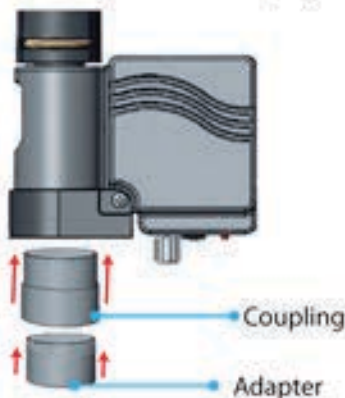
2



Place the gallon container against the wall underneath the bracket.

3

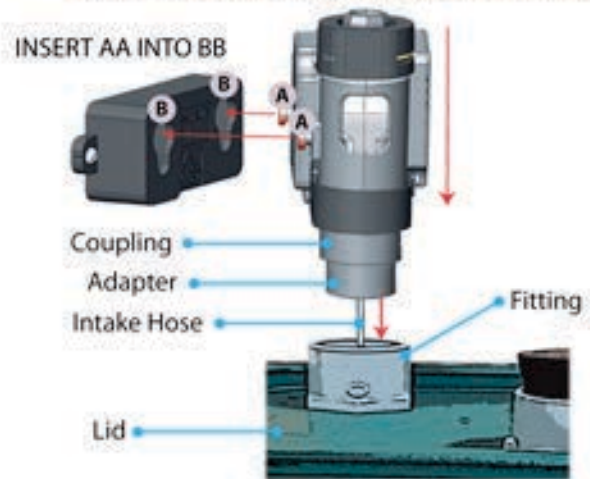
Insert the smaller diameter of the coupling into the threaded side of the pump housing, then insert the adapter in the coupling



NOTE: Coupling and adapter are used only for Gallon Container

4

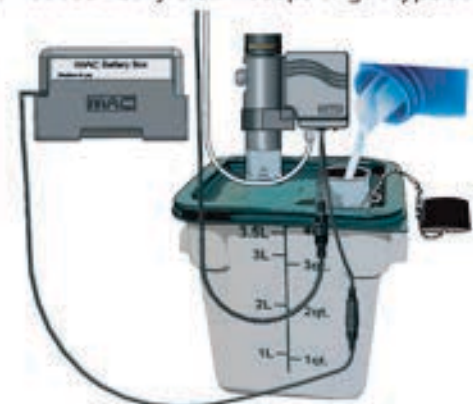
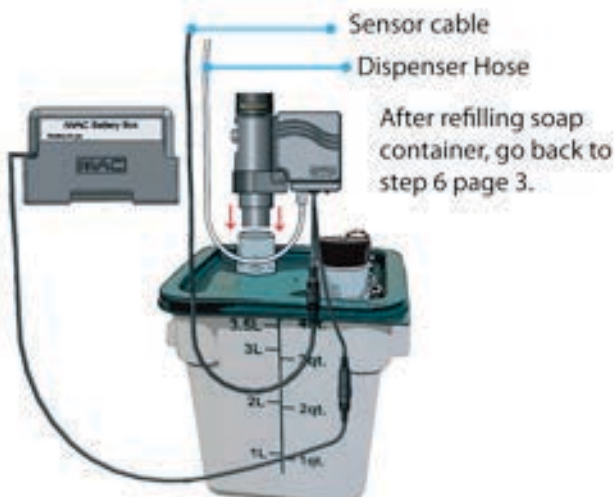
Install pump housing onto wall bracket (insert AA into BB and push pump housing down), insert the adapter onto the fitting of the lid at the same time



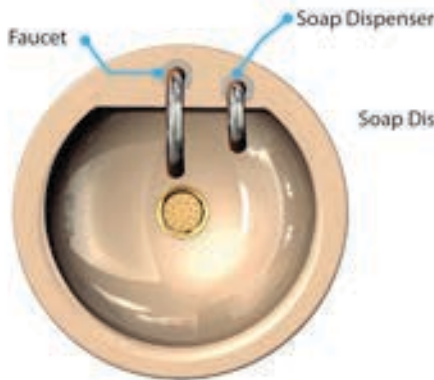
### Refill Instructions

Remove the plug for refill  
Put back after refill

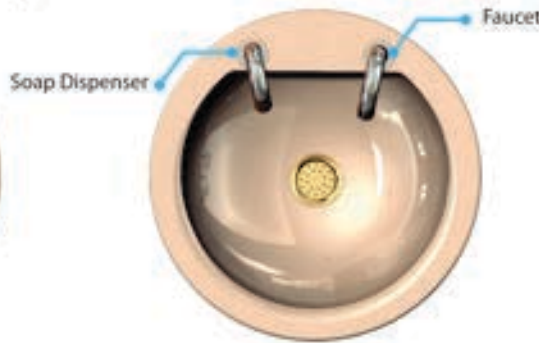
Do not use heavy cream soaps or grit type soaps



**Installation Option A**



**Installation Option B**



**Proper Installation of Soap Dispenser Relative to Faucet**

Electronic soap dispenser as well as faucet SHALL be accessible to all users.

Special consideration must be given to electronic soap dispenser location to prevent accidental activation

**OPTIONAL EQUIPMENT**



**A-14381**  
1 Gallon Soap Container



**A-19000**  
AC Adapter



**A-10420**  
Remote Control



**FA444-17**  
Matching  
Electronic Faucet



**FA400-101**  
Electronic Faucet



**FA-3260**  
Electronic Faucet



**FA43-124**  
Electronic Faucet



**FA43-129**  
Electronic Faucet

**More Models  
are Available**

**LIMITED WARRANTY**

MAC FAUCETS warrant this product to be free of defects for a period of one year from date of purchase. MAC FAUCETS will replace, free of charge, during this warranty period, parts that prove defective when properly installed and under normal use and service. Damage that occurs as a result of abuse, improper installation, environmental conditions, or improper application will void this warranty. Products or components that have been altered or in any way modified will not be covered under this warranty. This warranty does not cover installation or any other labor charges. This warranty does not cover shipping and handling of both replacement parts and returned defective parts. Defective products must be shipped back to MAC FAUCETS facilities with postage and handling prepaid, along with dated proof of purchase.