

MAC

Automatic Soap Dispenser

Installation Manual

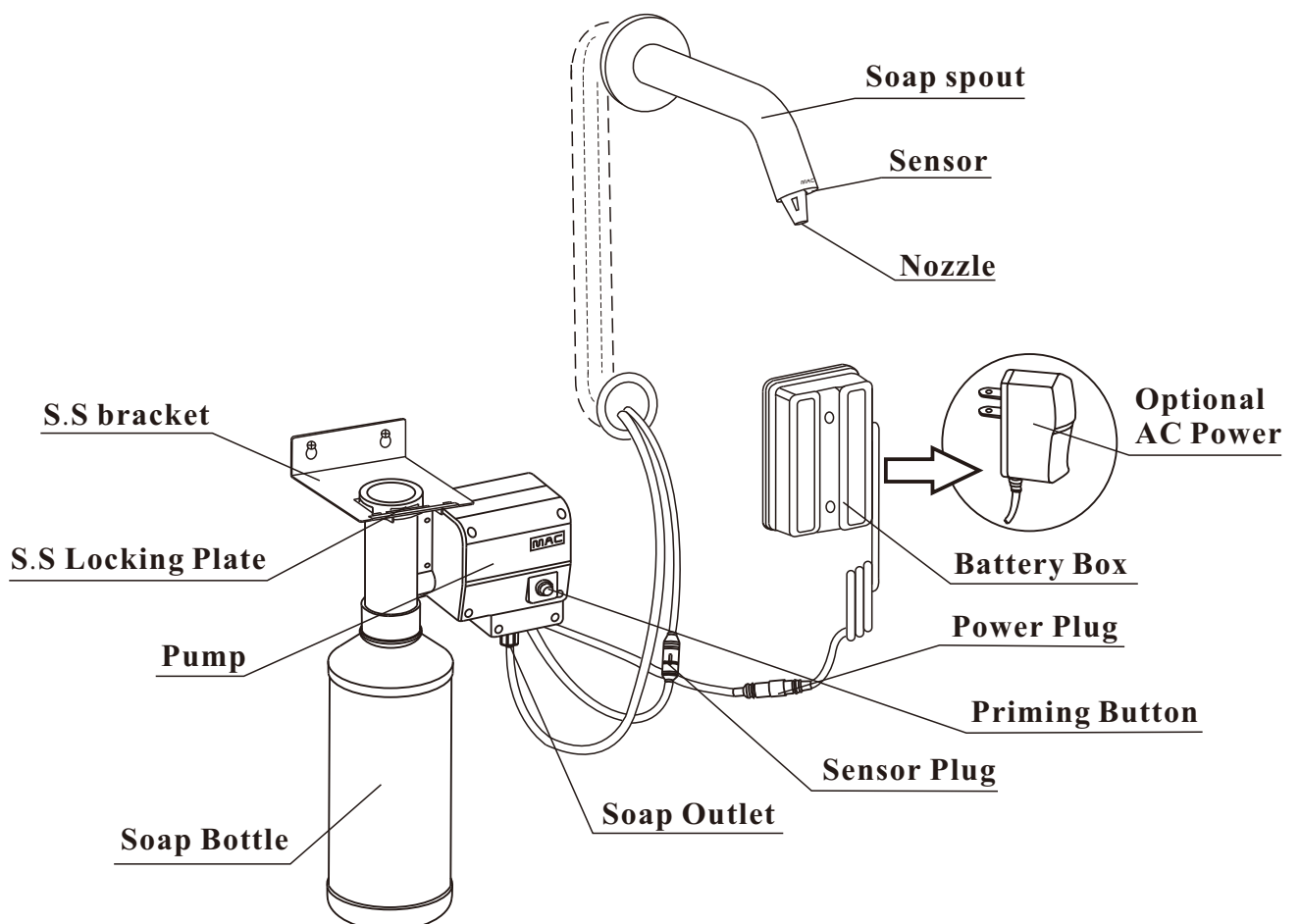
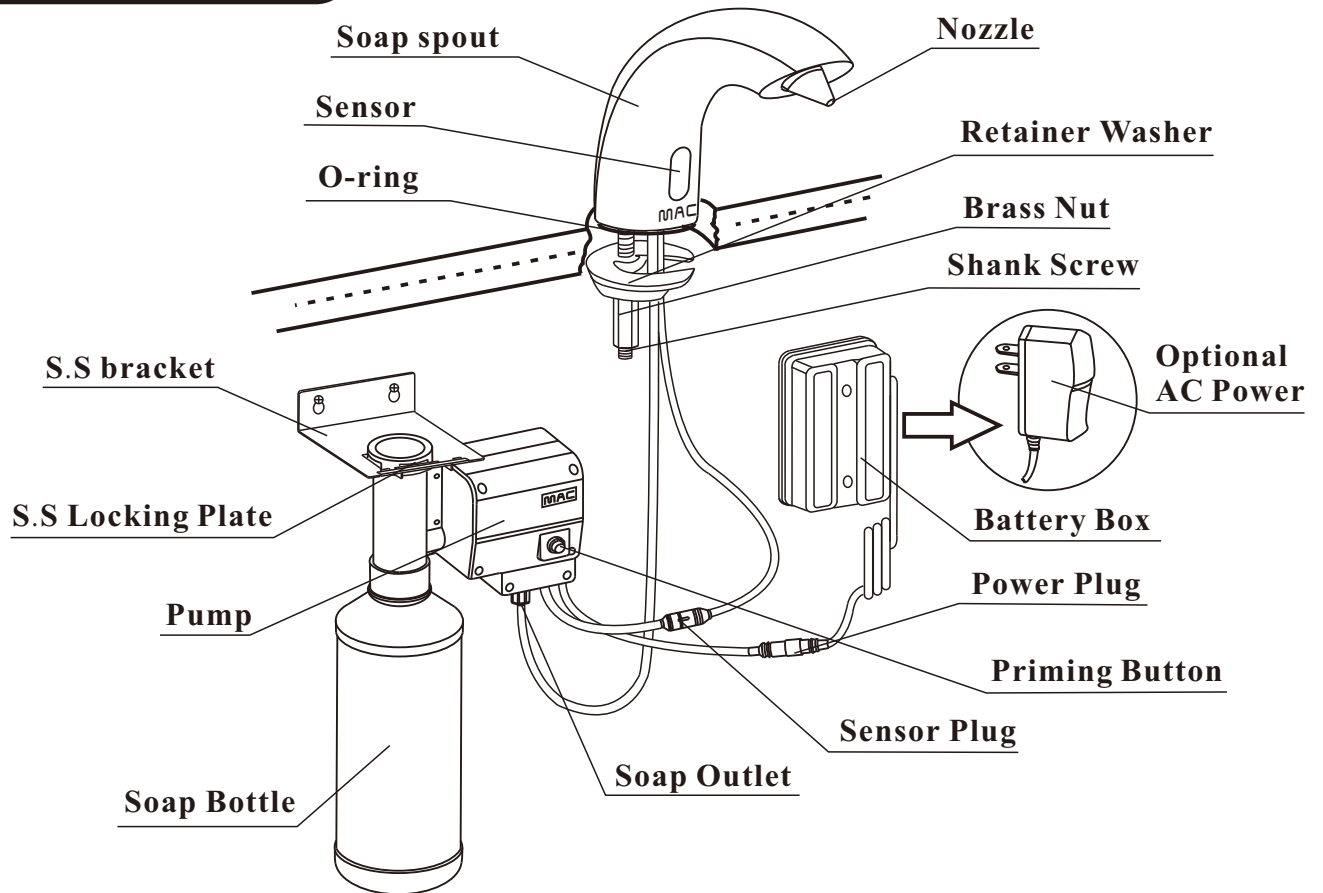
PYOS – V1 Series



- Thank you for choosing MAC Faucet products.
- For proper installation & operation, please read this manual carefully before proceeding with installation.

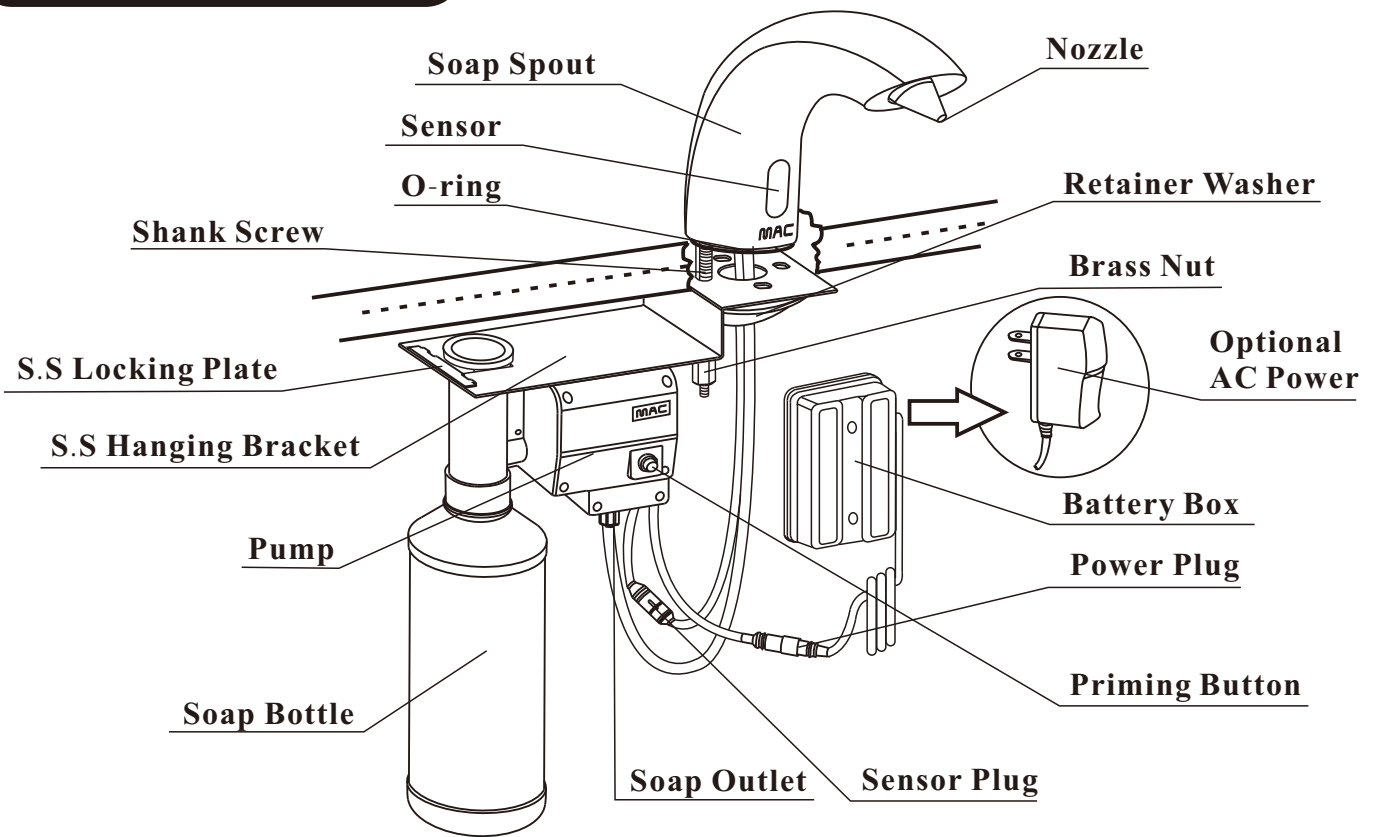
There are two methods of mounting the hardware under the sink

Wall Mount Method



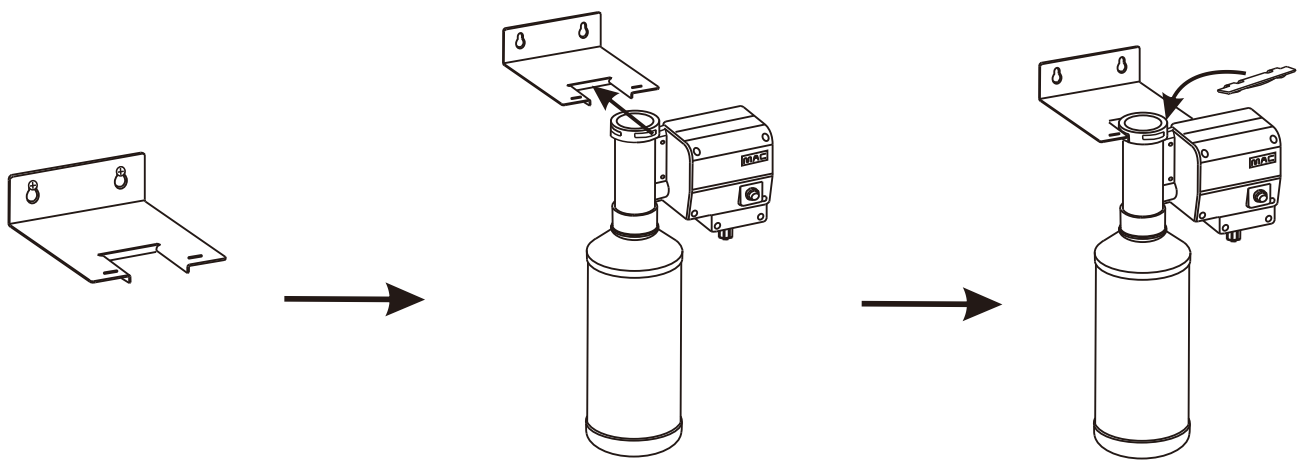
OR

Spout Mount Method



Pump Installation

Wall-Mounted Method

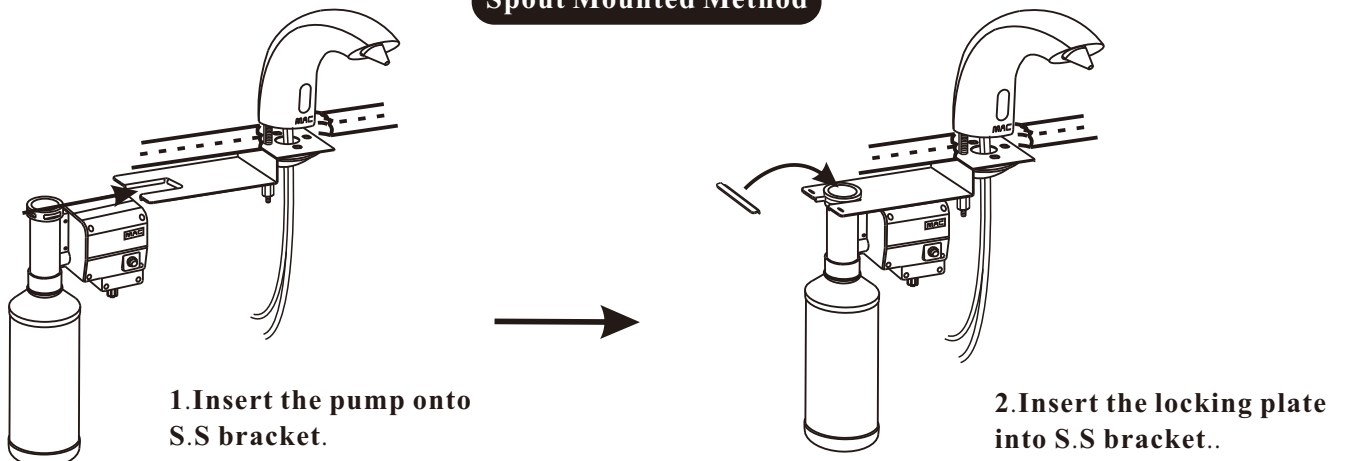


1. Mount the S.S. bracket on the wall.

2. Insert the pump onto S.S. bracket.

3. Insert the locking plate into S.S. bracket.

Spout Mounted Method

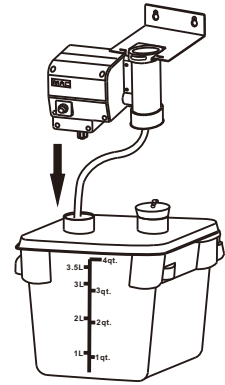
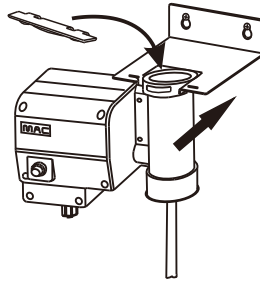
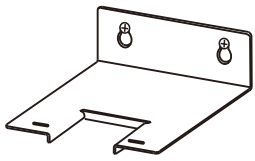


1. Insert the pump onto S.S. bracket.

2. Insert the locking plate into S.S. bracket..

Installation of 3.8L soap bottle

Wall-mounted host

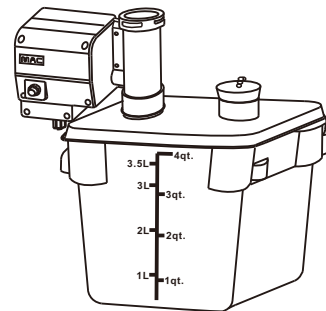
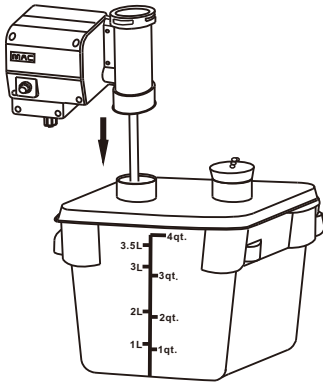


1. Please fix the S.S. bracket on the designed location of wall

2. Please connect the host on the fixed S.S. bracket slowly and smoothly

3. Please insert the soap inlet tube of host into the soap bottle.

Host fixed on the soap bottle



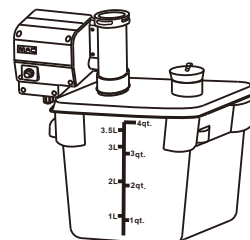
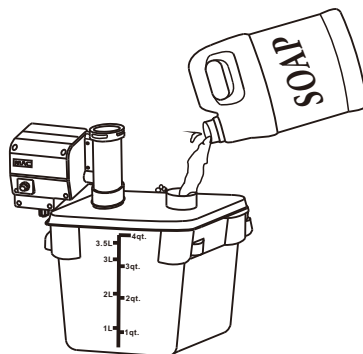
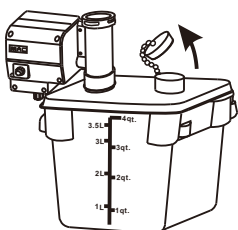
1. Adjust the direction of host then connect the soap inlet on the host with the soap outlet on the bottle and fix the host on the soap bottle

2. The diagram of installation completion for the host

Note :

- 1.1. The enough space and height shall be kept for host and soap bottle during the installation.
2. Please keep enough space for the host installation or replacement.
3. Please DO NOT hang the soap bottle by the host because it can not bear bottle's.
4. Please ensure the bracket or the floor which will place the soap bottle can bear the weight of soap bottle.

Refill soap



1. Open the lid on the soap bottle.

2. Refill the soap into soap bottle.

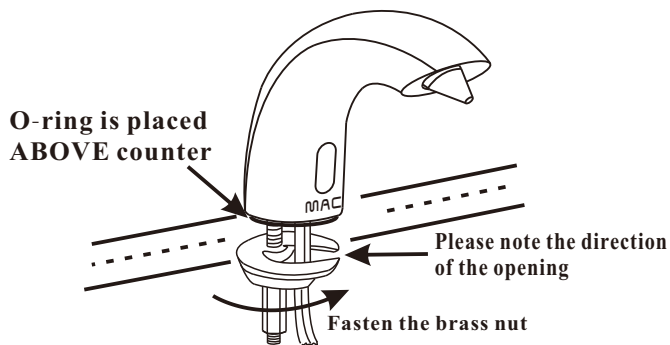
2. Fix the lid on the soap bottle after refilling soap.

Tips

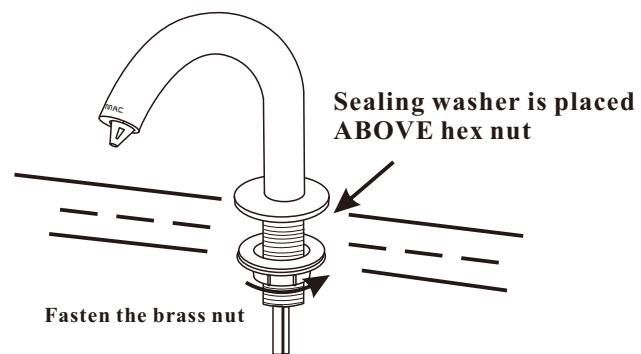
The soap refilling method for wall-mounted host is same as the one of host fixed on bottle.

Please choose the method most appropriate for your application

Spout Installation



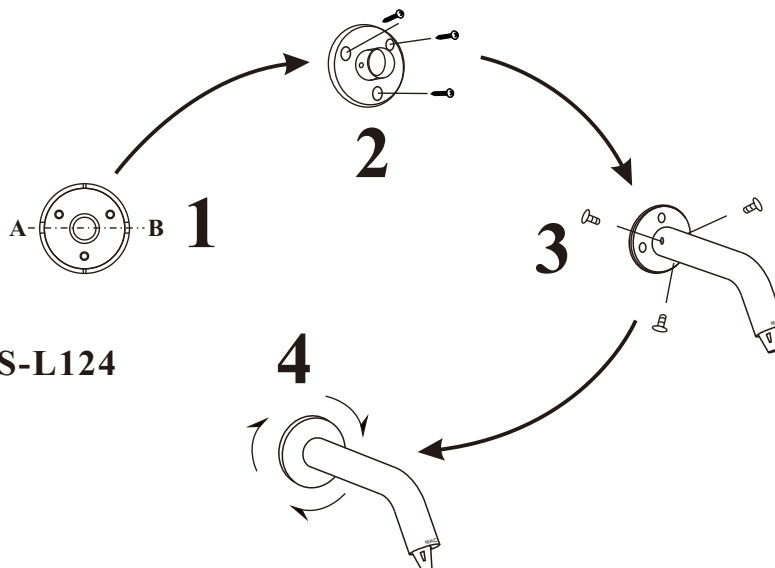
PYOS-9000



PYOS-L100

2. Drill according to marks and affix the wall mounting bracket to the wall.

1. Hold the wall mount bracket against the wall. In the desire location with the grooves A and B horizontal to floor, mark 3 holes with pencil.



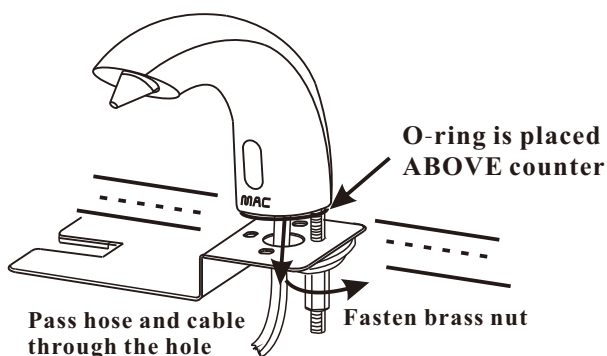
PYOS-L124

3. Affix the spout to wall bracket using the small screws.

4. Use the disc escutcheon to cover the wall mounting bracket and turn clockwise to fasten

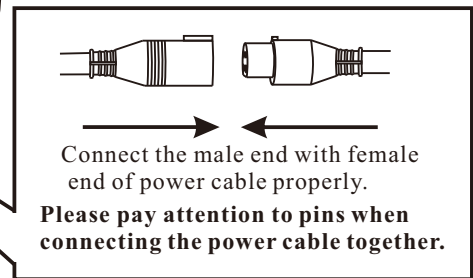
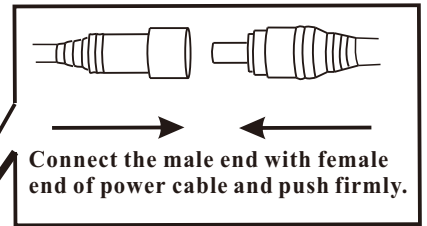
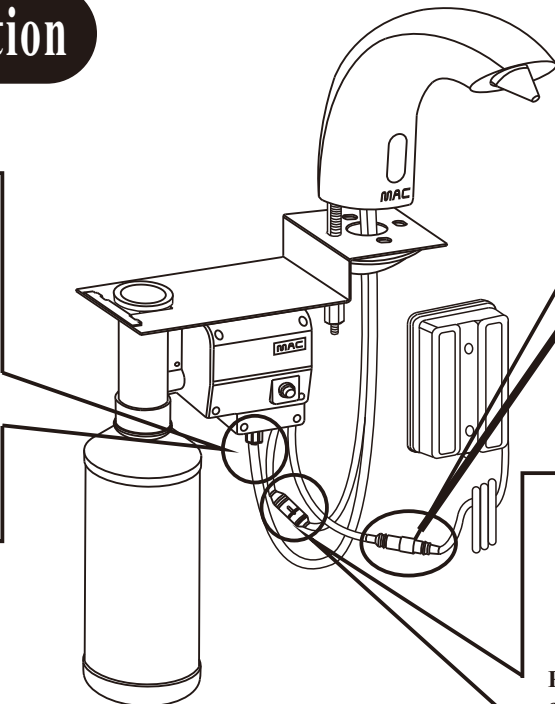
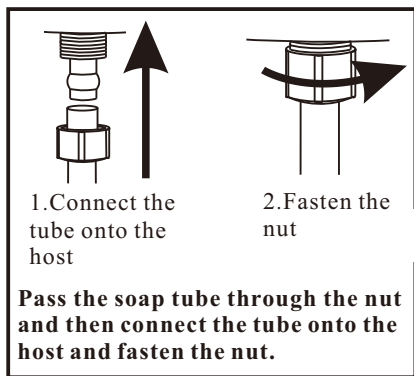
Please exercise special care not to cut the soap hose or damage sensor cable while fastening the brass nut.

Spout Mount



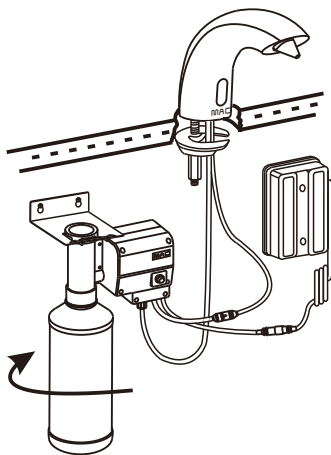
Before installing the stainless steel bracket please make sure that there will be plenty of space for the pump housing. Please exercise special care not to cut the Soap hose or damage sensor cable while fastening the brass nut.

Component Connection



Soap Replacement

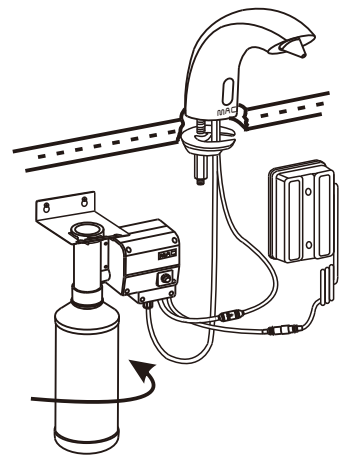
Wall Mounted



1. Unscrew the empty bottle.

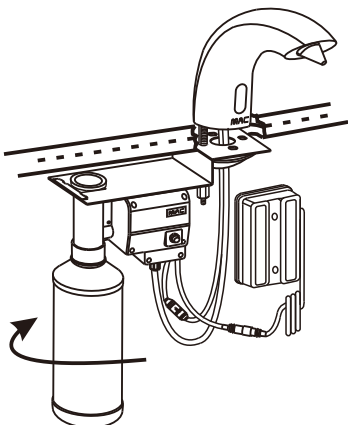


2. Add soap into the empty bottle.

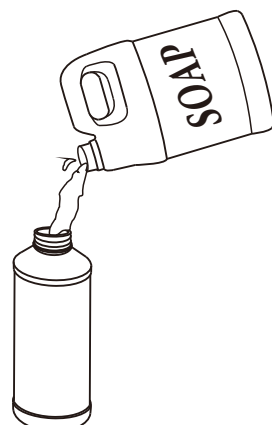


3. Affix the bottle with full soap onto the pump, and do not over tighten..

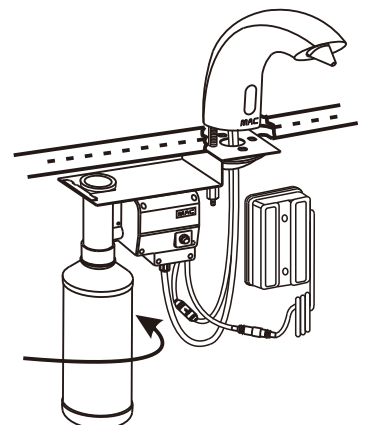
Spout Mounted



1. Unscrew the empty bottle.

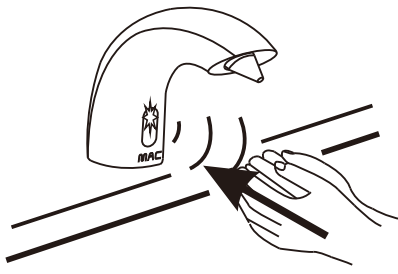


2. Add soap into the empty bottle.



3. Affix the bottle with full soap onto the pump, and do not over tighten..

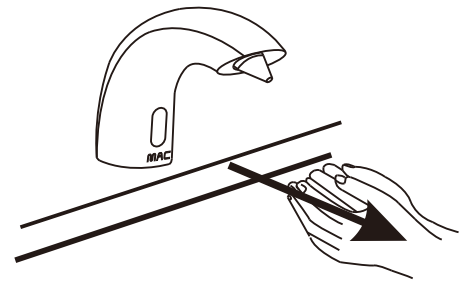
USE



Place hands immediately under soap spout.



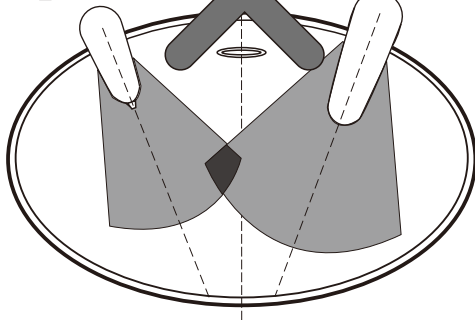
Predetermined amount of soap will dispense



If more soap is needed, please remove hands & repeat.

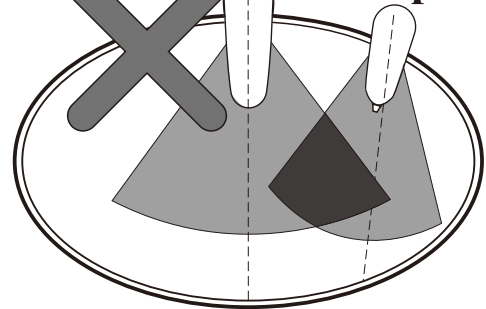
Incorrect Installation

Soap dispenser  Faucet



Keep sensor range adjustment within 4 inches away from center of spout. This can only be done with optional remote control.

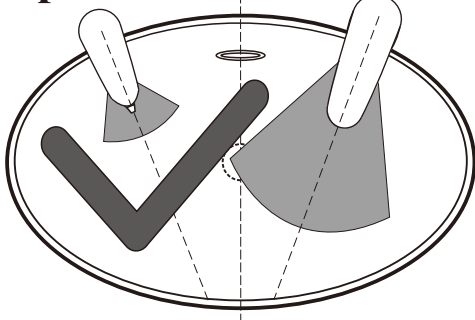
Faucet  Soap dispenser



Installing electronic soap dispenser and faucet with intersecting centerline might lead to accidental activation of either or both.

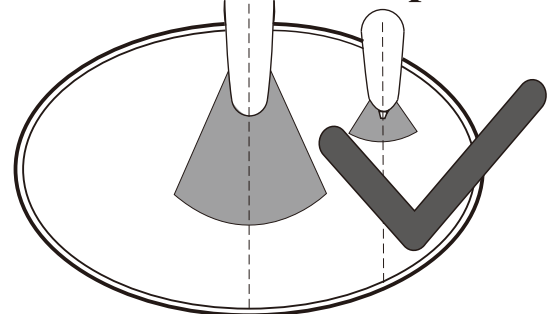
Correct Installation

Soap dispenser  Faucet



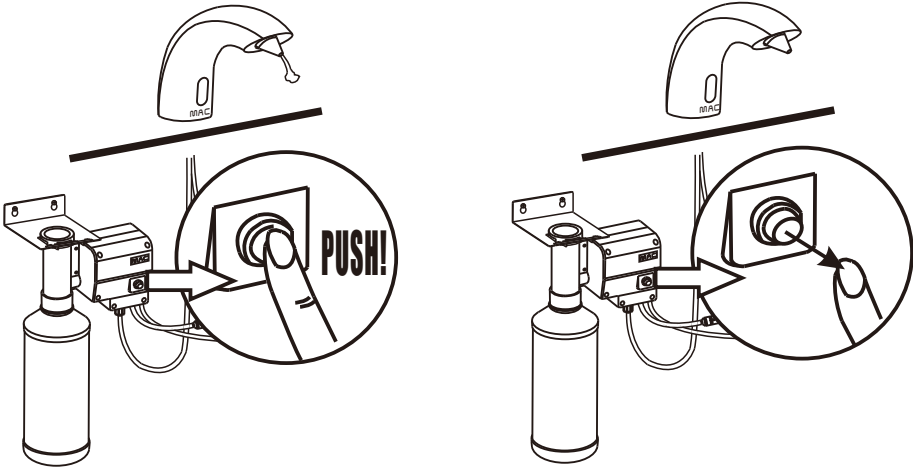
Keep sensor ranges factory preset.

Faucet  Soap dispenser

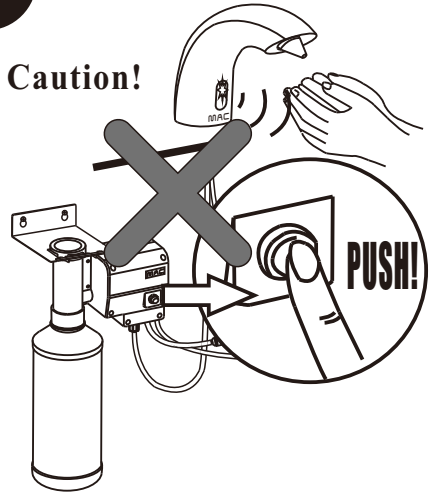


Keep soap spout and faucet centerline parallel.

Usage of Green Button



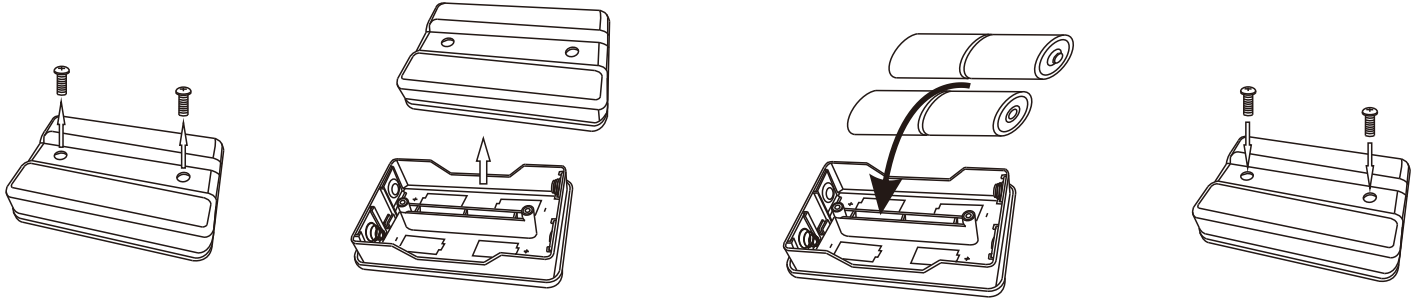
When the soap bottle is filled with soap, press green button till soap dispenses out of nozzle.



Caution!

Do not activate soap dispenser by hand while the green button is depressed below the counter, as this might lead sensor damage.

Battery Replacement

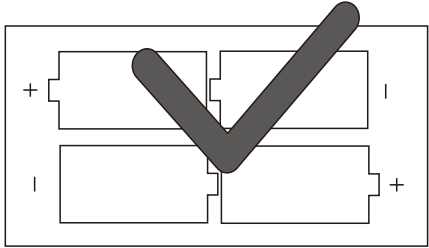
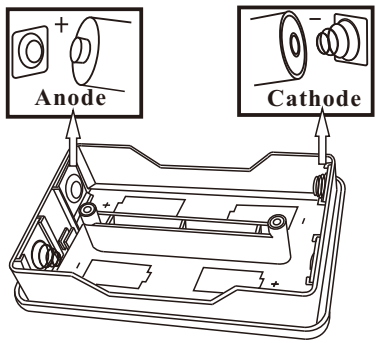


1. Unscrew the screws of back cover.

2. Open the back cover.

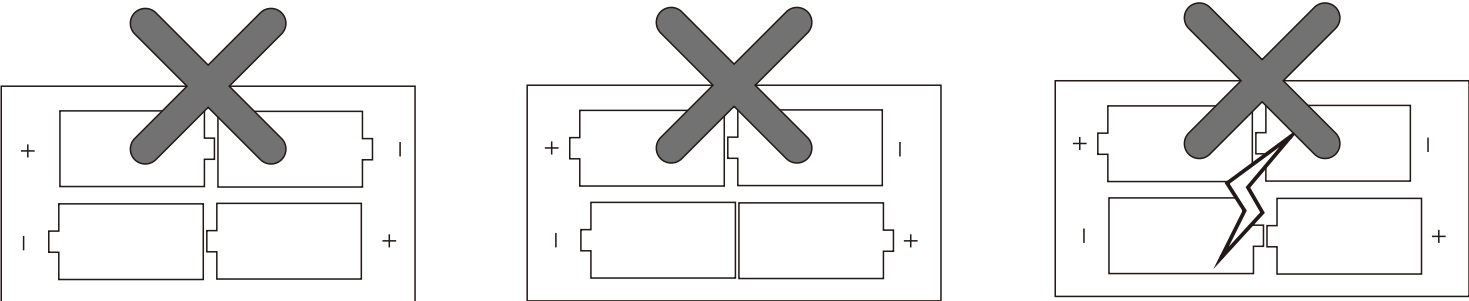
3. Properly place the batteries into the box.

4. Close the back cover and fasten the screws.

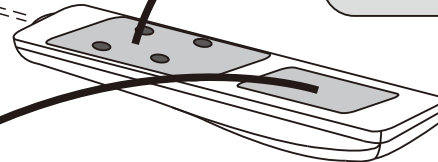
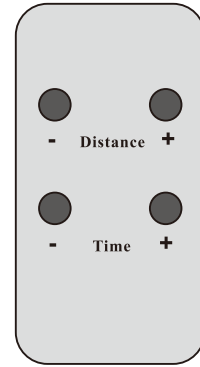
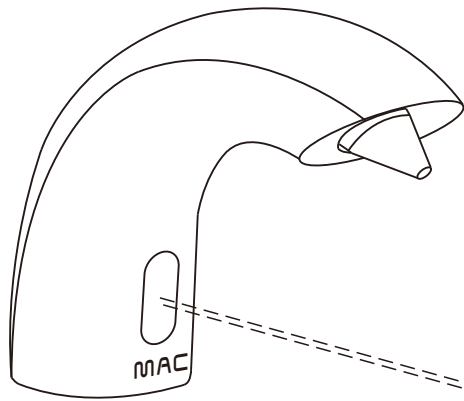


Place batteries in battery box according to drawings above.

Incorrect Installation or Replacement



Optional Remote Control



Instructions

Use (2) AAA alkaline batteries.

Hold remote control 6"-10" away from sensor and aim directly at the sensor eye.

When a button is depressed, indicator light will flash once indicating successful adjustment, twice (rapidly) indicating failed adjustment, or that the adjustment has reach maximum limit.

To adjust sensor range, press distance (-) button for shorter sensor range, distance (+) for longer sensor range.

To adjust soap dispensing volume, press time (-) for less soap, time (+) for more soap.

Optional remote control is designed for sensor range adjustment and to change the volume of soap which dispenser will dispense when used

One remote control is needed for many soap dispensers

MAC FAUCETS

7308 Alondra Blvd
Paramount, CA 90723

Tel 562-808-2240 – Fax 310-919-3073

www.macfaucets.com

LIMITED WARRANTY

MAG FAUCETS WARRANT THIS PRODUCT TO BE FREE OF DEFECTS FOR A PERIOD OF ONE YEAR FROM DATE OF PURCHASE. MAG FAUCETS WILL REPLACE, FREE OF CHARGE, DURING THIS WARRANTY PERIOD, PARTS THAT PROVE DEFECTIVE WHEN PROPERLY INSTALLED AND UNDER NORMAL USE AND SERVICE. DAMAGE THAT OCCURS AS A RESULT OF ABUSE, IMPROPER INSTALLATION, ENVIRONMENTAL CONDITIONS, OR IMPROPER APPLICATION WILL VOID THIS WARRANTY. DEFECTIVE PRODUCTS MUST BE SHIPPED WITH POSTAGE AND HANDLING PREPAID, ALONG WITH DATED PROOF OF PURCHASE. THIS WARRANTY DOES NOT COVER INSTALLATION OR ANY OTHER LABOR CHARGES. IT DOES NOT COVER SHIPPING AND HANDLING OF BOTH REPLACEMENT PARTS AND RETURNED DEFECTIVE PARTS.

PRODUCTS OR COMPONENTS THAT HAVE BEEN ALTERED OR IN ANY WAY MODIFIED WILL NOT BE COVERED UNDER THIS WARRANTY. REPLACEMENT PARTS ARE UNDER WARRANTY ONLY FOR THE REMAINING PERIOD UNDER THE INITIAL WARRANTY. SOME STATES DO NOT ALLOW FOR EXCLUSION OF INCIDENTAL OR CONSEQUENTIAL DAMAGE.