



MAC FAUCETS, LLC

Faucet and Soap Dispenser in One

TiO-32/TiO-34 INSTALLATION MANUAL



Models
TiO-32 & TiO-324
TiO-34 & TiO-344

☎ 866 558 3200 ✉ info@macfaucets.com

www.macfaucets.com



Tools Needed



Rubber Washer
Lock Nut

Sensor Cable

Dispenser hose

Sensor cable

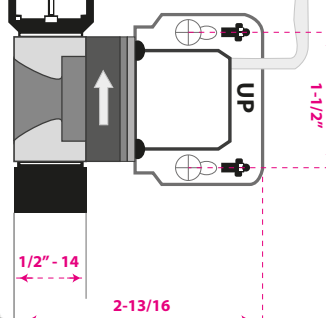
Faucet Hose

Plug to Solenoid Valve



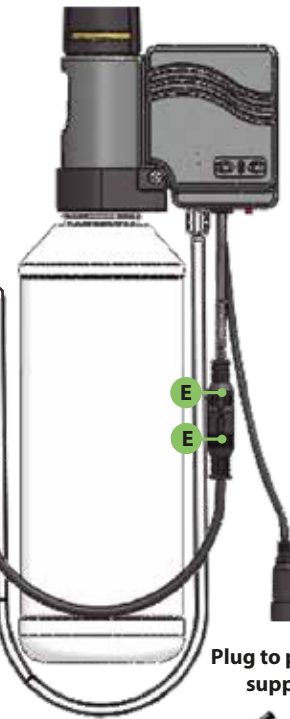
Optional AC Adapter

Plug to power supply

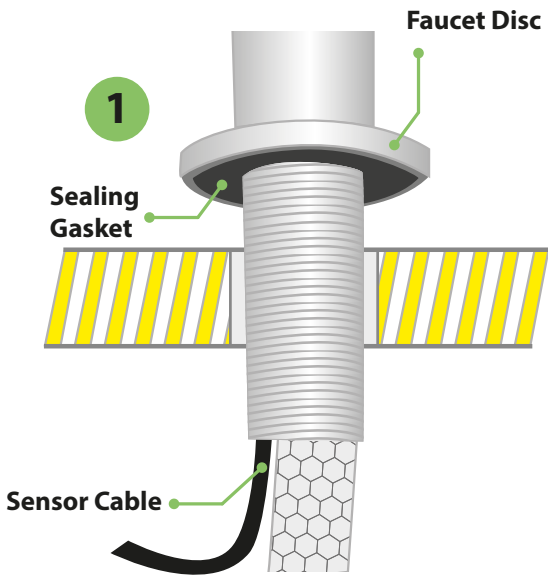


Y cable connector

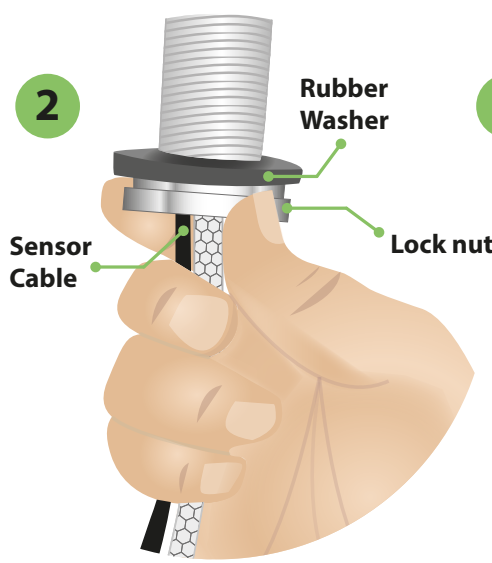
Plug to Battery or AC adapter



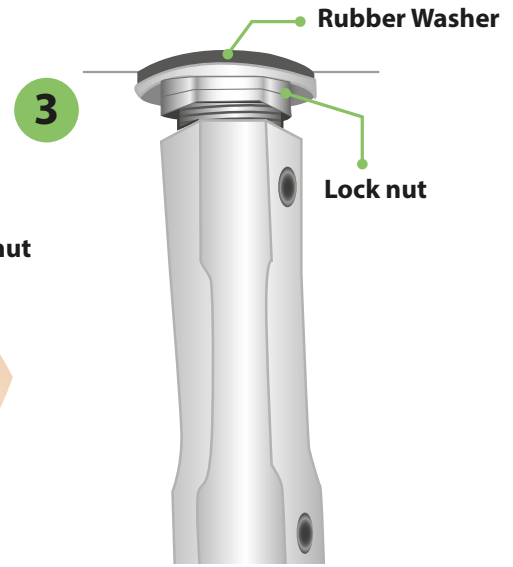
Plug to power supply



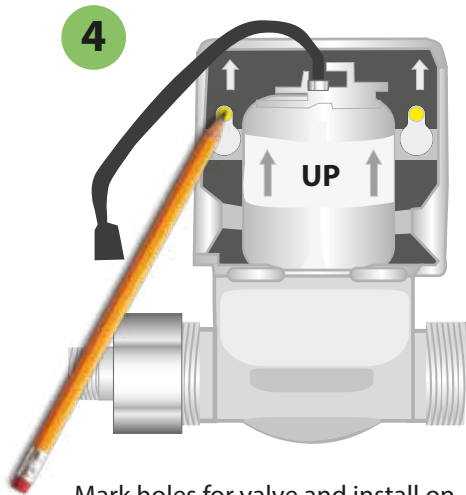
1 Insert faucet shank through sink hole



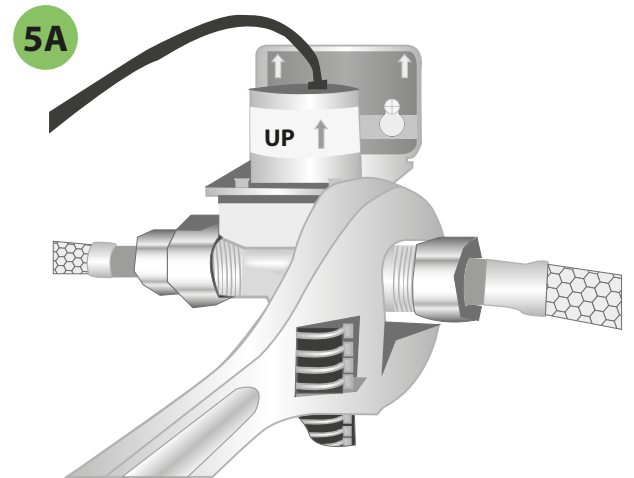
2 Place washer and lock nut onto shank



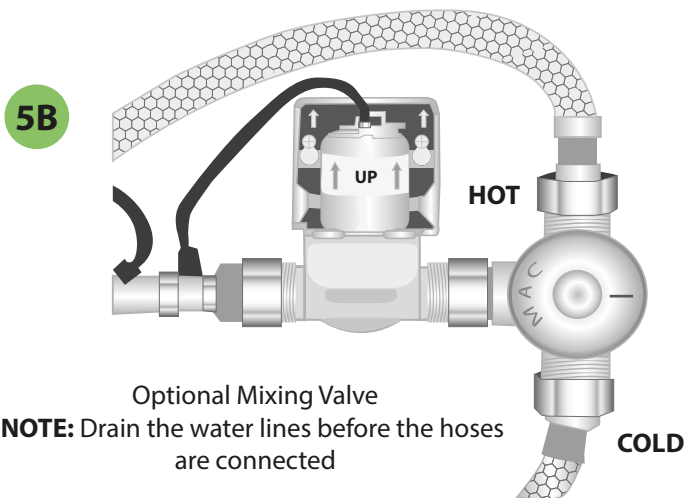
3 Tighten lock nut



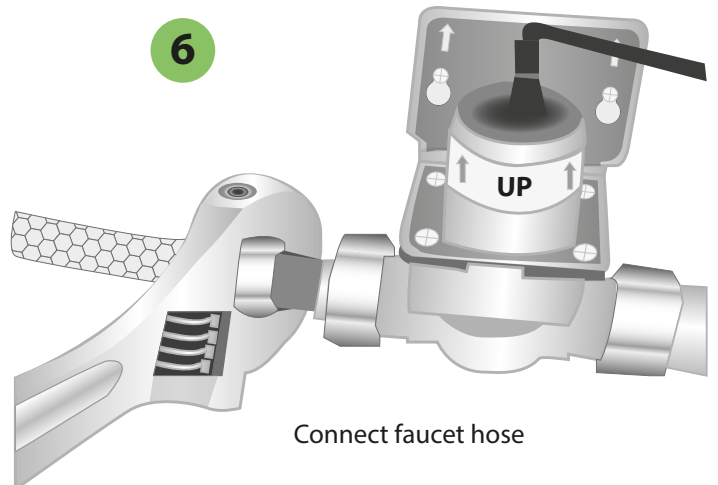
4 Mark holes for valve and install on the wall, follow instructions on label



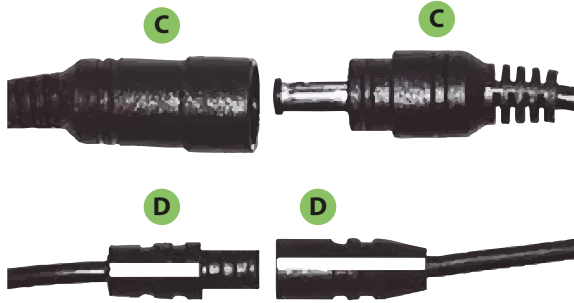
5A Connect cold supply line
NOTE: Drain the water line before the hose is connected



5B Optional Mixing Valve
NOTE: Drain the water lines before the hoses are connected

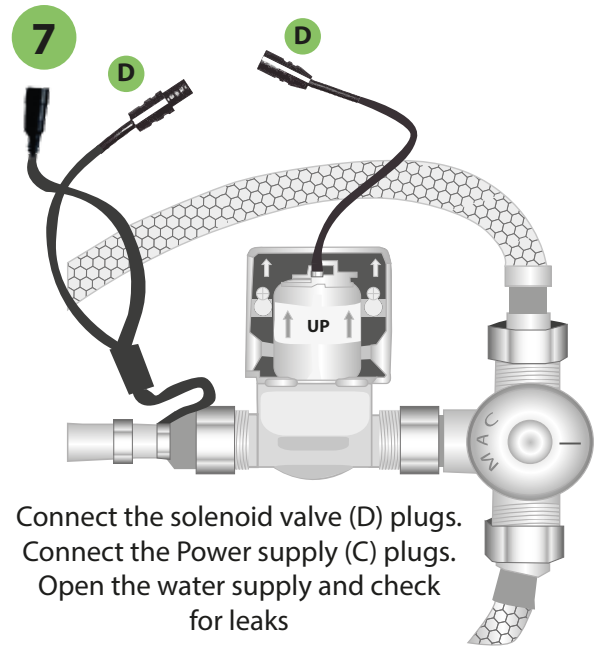


6 Connect faucet hose



Align marks located on solenoid plug and push firmly. Power plug does not require alignment, Plug and push firmly.

Make sure no objects are present in the sink when plugging cables.
After plugging cable, wait one minute before placing anything in the sink.
Test for leaks before using faucet

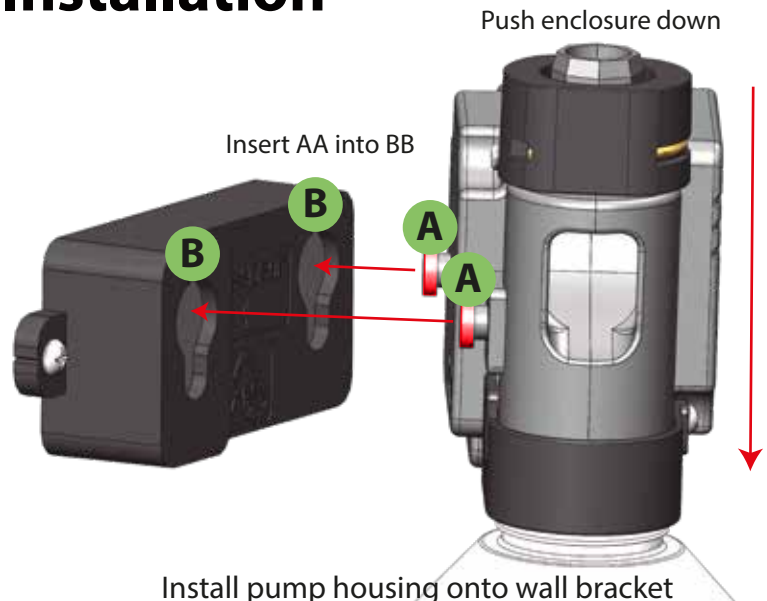


Connect the solenoid valve (D) plugs. Connect the Power supply (C) plugs. Open the water supply and check for leaks

Soap Pump Installation



Mount wall bracket onto wall in a level horizontal position. Follow arrows showing UP side.

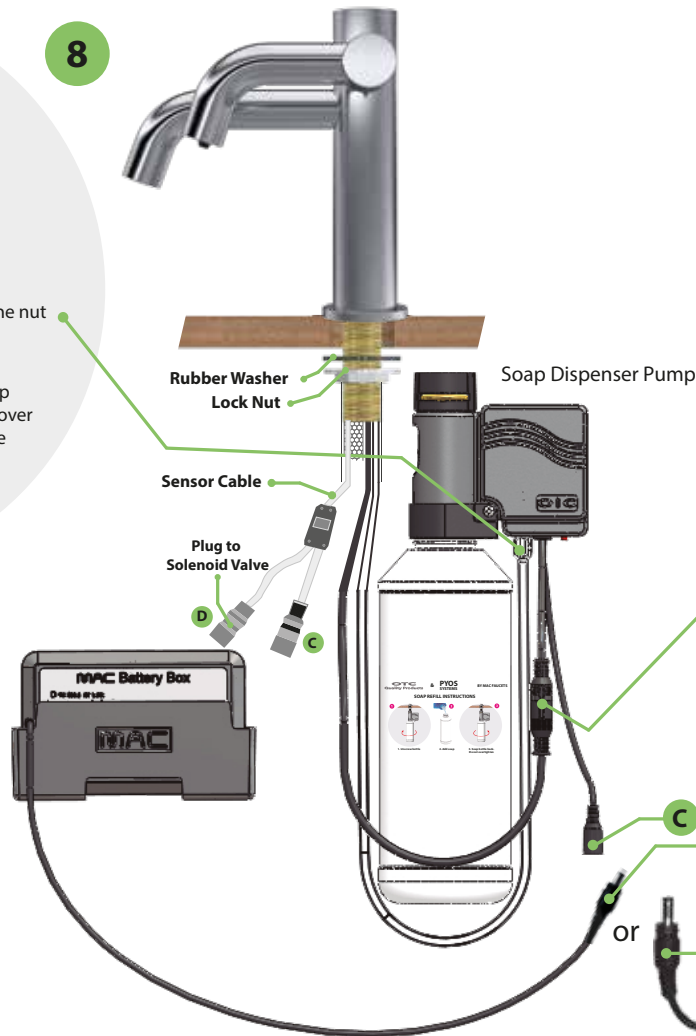
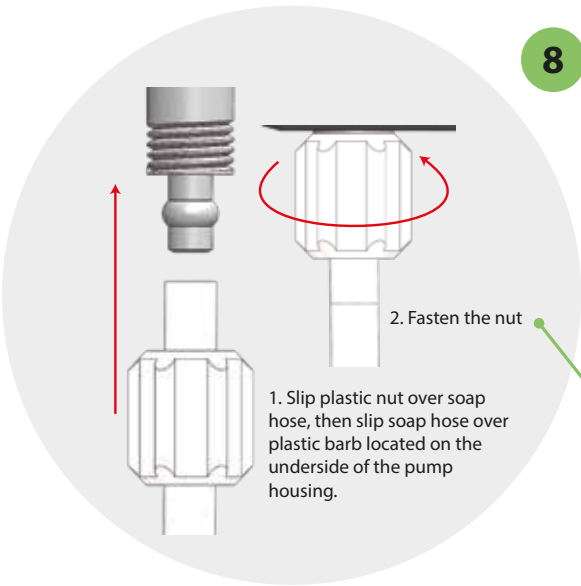


Install pump housing onto wall bracket (insert AA into BB and push enclosure down).

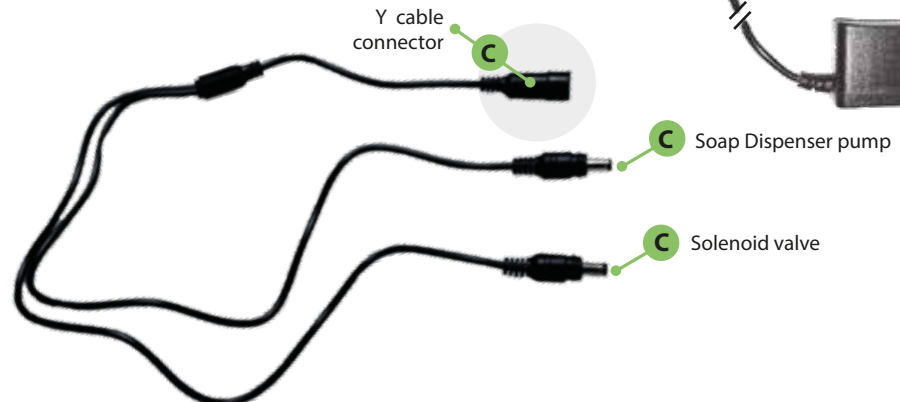
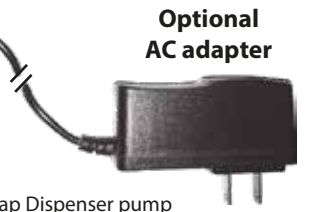
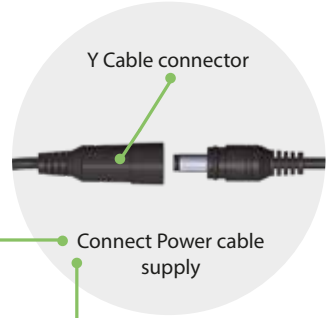
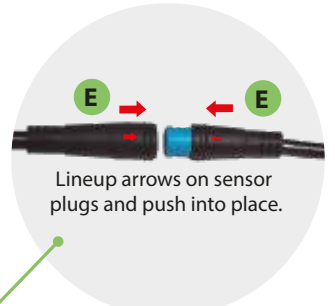
LIMITED WARRANTY

Mac Faucets warrants this product to be free of defects for a period of one year from date of purchase. Mac Faucets will replace, free of charge, during this warranty period, parts that prove defective when properly installed and under normal use and service. Damage that occurs as a result of abuse, improper installation, environmental conditions, or improper application will void this warranty. Products must be shipped with postage and handling prepaid, along with dated proof of purchase. This warranty does not cover installation or any other labor charges. It does not cover shipping and handling of both replacement parts and returned defective parts. Products or components that have been altered, or in any way modified, will not be covered under this warranty. Replacement parts are under warranty only for the remaining period under the initial warranty. Some states do not allow for exclusion of incidental or consequential damage.

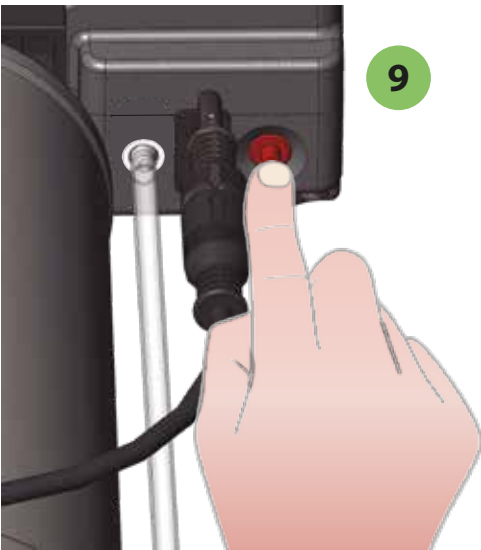
8



Connect sensor plug, Power cable, and soap hose to pump housing.



9




Before proceeding to step 9 make sure soap bottle is filled with liquid soap. See page 6 for soap refill instructions

Press and hold the primer button located on the underside of the pump housing until soap pours out of nozzle

SOAP REFILL INSTRUCTIONS

DO NOT USE HEAVY CREAM SOAPS OR GRIT TYPE SOAPS

It is best to use same brand of soap every time, and not to let dispenser remain dry for to long


- 

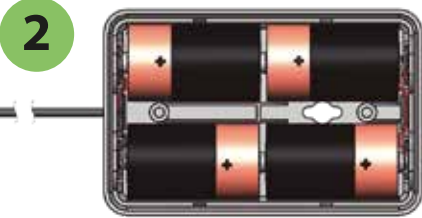
1. Unscrew the empty bottle
- 


2. Add liquid soap into the empty bottle
- 

3. Affix bottle filled with soap onto pump housing. Do not overtighten.

BATTERY REPLACEMENT INSTRUCTIONS

- 

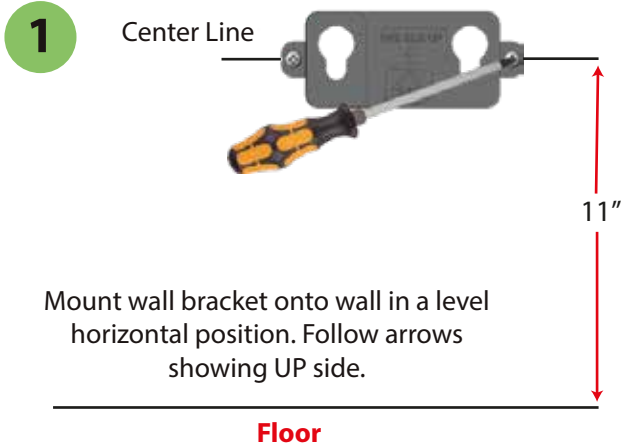
1. Unfasten 2 cover screws, and lift cover up and away from batteries
- 

2. Properly place new batteries inside of battery case
- 

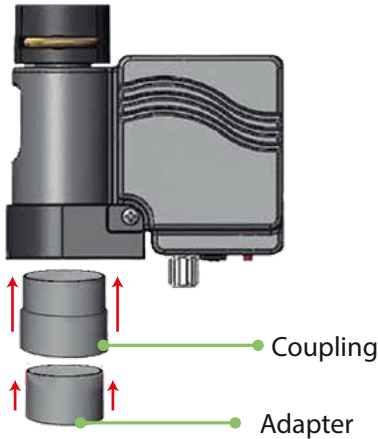
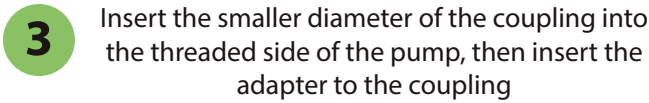
3. Place cover back onto battery case and fasten 2 cover screws

GALLON CONTAINER INSTALLATION

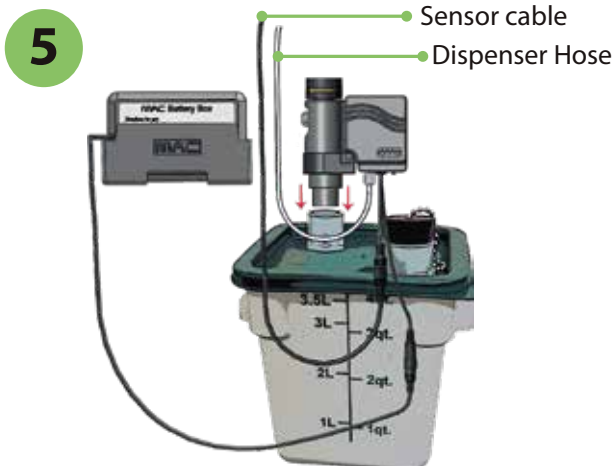
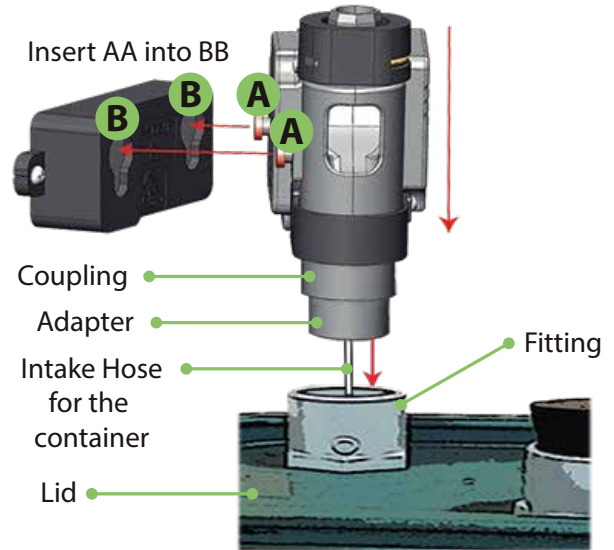
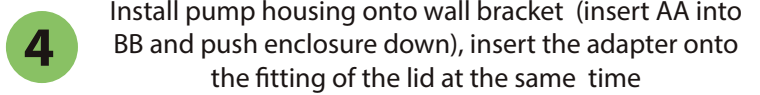
NOTE: GALLON CONTAINER MUST BE PLACED ON LEVEL SURFACE CAPABLE OF SUPPORTING 10LB WEIGHT OR GREATER



Mount wall bracket onto wall in a level horizontal position. Follow arrows showing UP side.



NOTE: Coupling and adapter are used only for Gallon Container



Available Washroom Accessories



TiO-324

Two-in-one Automatic
Faucet and Soap Dispenser
(with 4" riser for high vessel sink)



TiO-344

Two-in-one Automatic
Faucet and Soap Dispenser
(with 4" riser for high vessel sink)



ADA Grab Series

Models GB-18, GB-36 and GB-42



ATD-10

Automatic Towel Dispenser



AAD-12

Automatic Aroma Dispenser



ASD-13

Automatic Soap Dispenser



TH-2

Tissue Holder



SCD-4

Toilet Seat Cover



HD-5

Automatic Hand Dryer