

MAC FAUCETS

TiO-324 Electronic Faucet and Soap Dispenser in one body

Available In Twenty + Finishes



Package Includes

Spout and hardware

Faucet control unit

Soap dispenser pump unit

800ml Soap Bottle

Batteries Pre-installed

All hardware necessary for satisfactory installation



ANSI A112.18.1M

CSA Standard B125,

1.5 U.S GPM

Complies with NSF
Standard 61, Section 9

Optional Equipment:

**Lavatory Drain, Grid and
Pop-Up Type**

**Adjustable Under The Sink
Mixing Valve**

Aerators Options

**Large Capacity Soap
Container**

Remote Control

AC Adapter

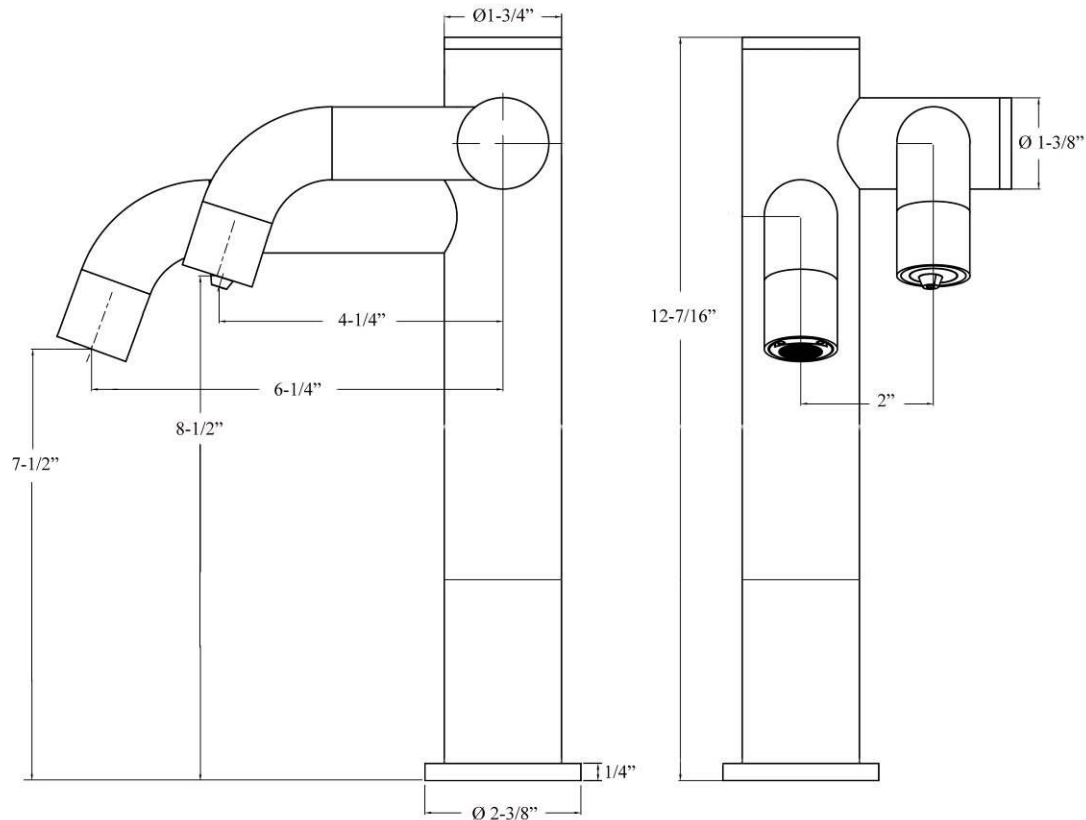
Featuring

- **Solid Brass Body**
- **Dispenses Standard liquid Soap**
- **Designed for Vessel Sink Applications**
- **Resin Encased Control Electronics**
- **Battery Powered, Optional AC Power**
- **Available in Twenty + Finishes**
- **State of The Art Valving and Pumping Systems**
- **US Green Building Council 1/4 Gallons per Cycle Compliant**

TiO-324 SPECIFICATIONS AND DIMENSIONS

SPOUT:	SOLID BRASS CONSTRUCTION.
POWER:	BATTERIES. OPTIONAL AC ADAPTER
FAUCET SOLENOID VALVE:	LOW POWER CONSUMPTION MAGNET LATCHING
SOAP PUMP:	NOISE-FREE PERISTALTIC PUMP SYSTEM
SENSOR TYPE:	ACTIVE INFRARED, SELF-ADJUSTING
SENSING RANGE:	ADJUSTABLE WITH OPTIONAL REMOTE CONTROL
RESPONSE TIME:	0.3 SECONDS
MAXIMUM RUNNING TIME:	30 SECONDS
AERATOR:	0.5 GPM IN CA - 1.5 GPM NATIONAL - OTHER OPTIONS AVAILABLE
WORKING SOAP:	STANDARD LIQUID SOAP. NO GRIT (INDUSTRIAL) SOAP
SOAP BOTTLE CAPACITY:	ONE QUART STANDARD. OPTIONAL ONE GALLON CONTAINER
COUNTER ACCOMMODATION:	STANDARD. PLEASE VIEW ROUGH-IN DRAWINGS BELOW

All Dimensions in Inches

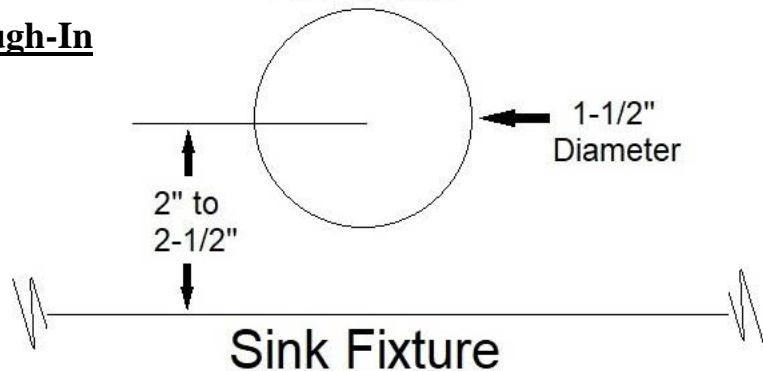


**Countertop Thickness:
Up to 2-1/2"**

**Available:
Extra Long Shanks for Thicker Countertops
Please call before ordering**

Rough-In

TiO Hole



MAC FAUCETS California, USA

www.macfaucets.com Tel 866 558 3200 Fax 310 919 3073 Email Info@macfaucets.com