



OTC Quality Products

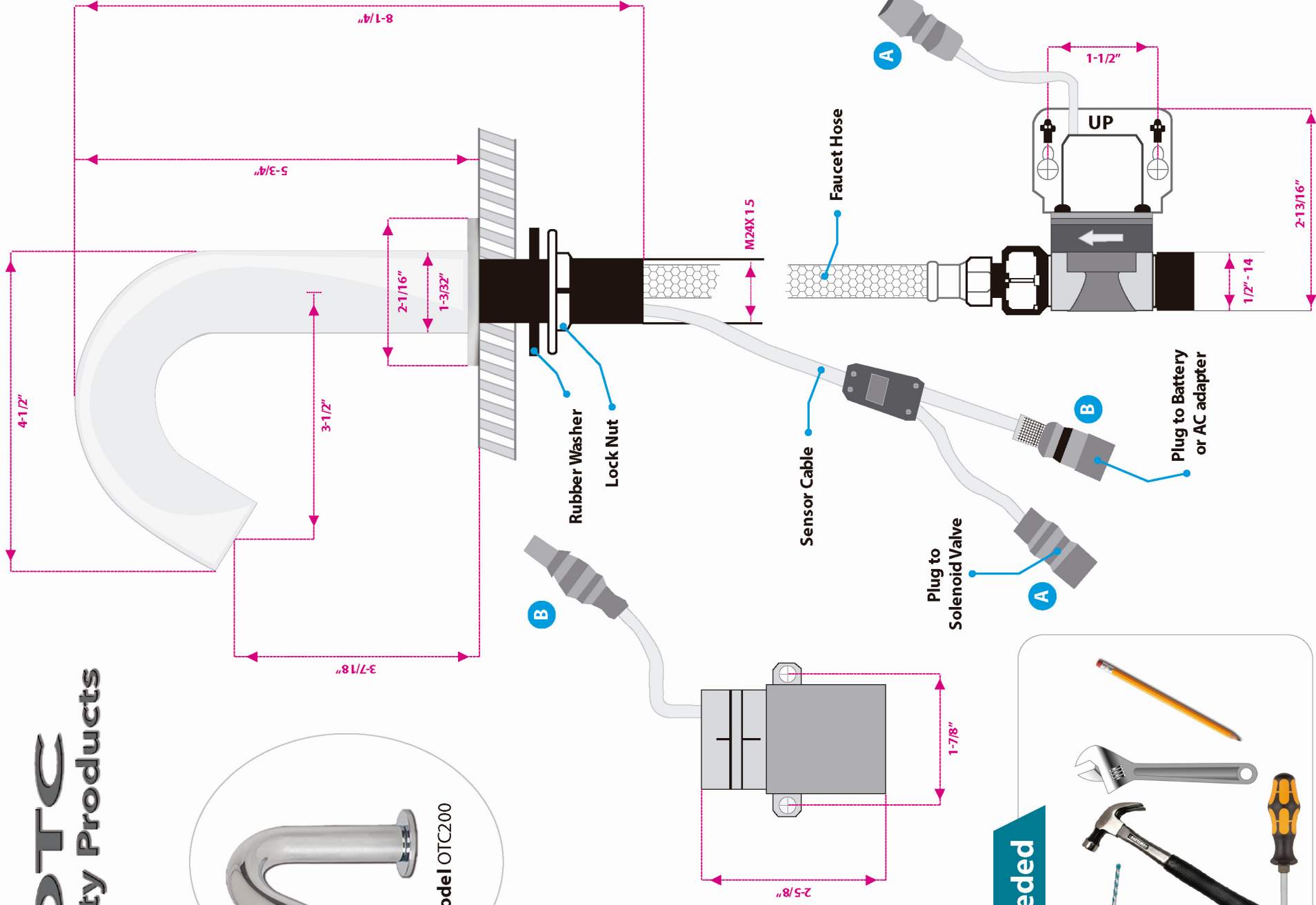
OTC200 INSTALATION MANUAL



Model
OTC200

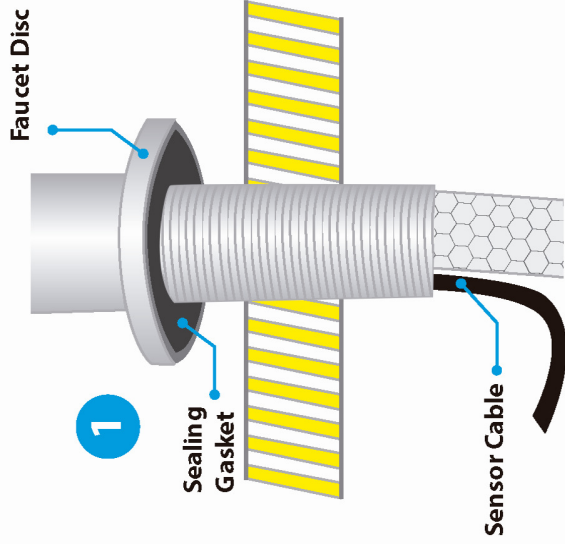
OTC Quality Products
☎ 866 558 3200 ✉ info@otcquality.com

www.otcquality.com

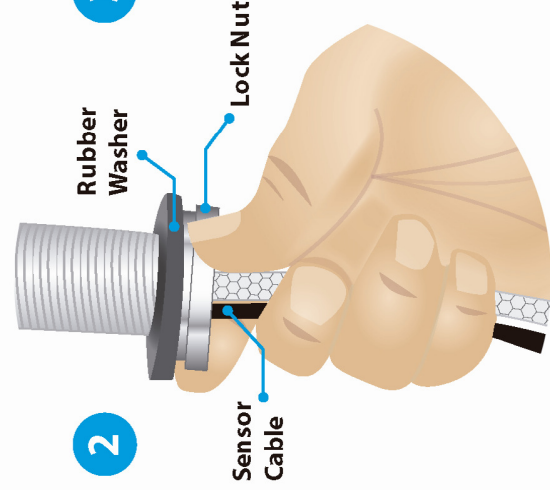


Tools Needed

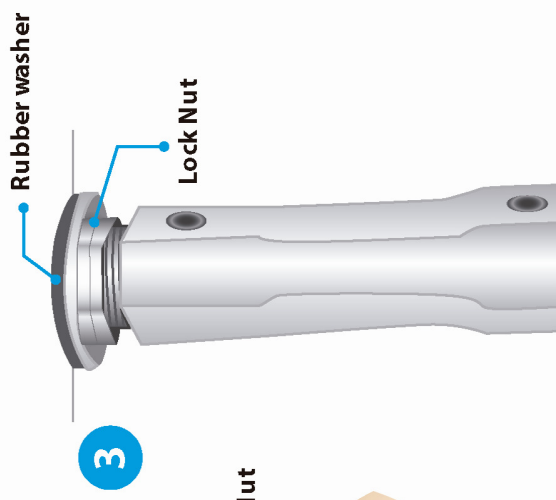




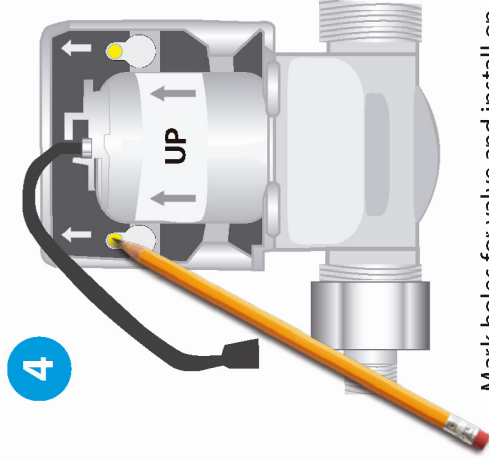
Insert faucet shank through sink hole



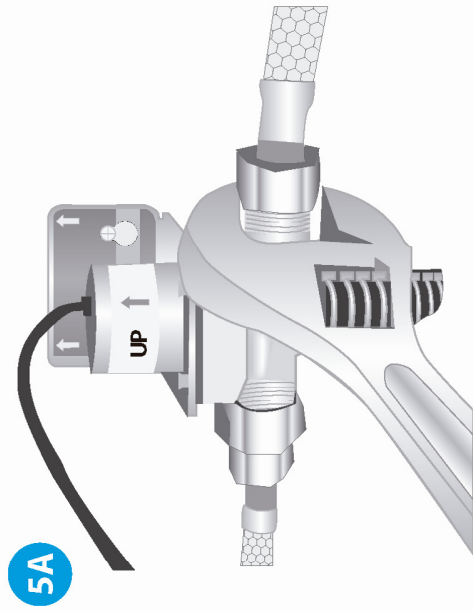
Place washer and locknut onto shank



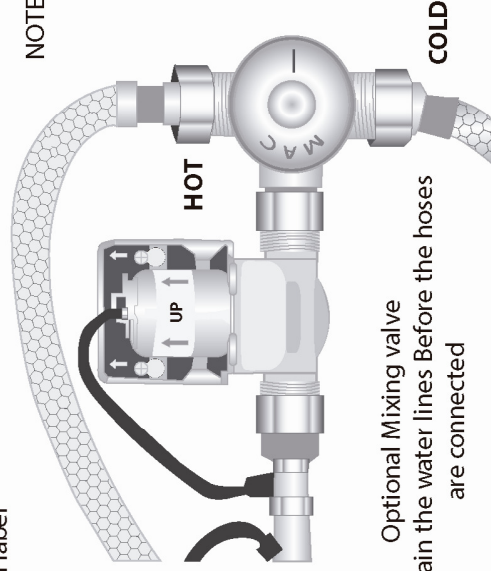
Tighten locknut



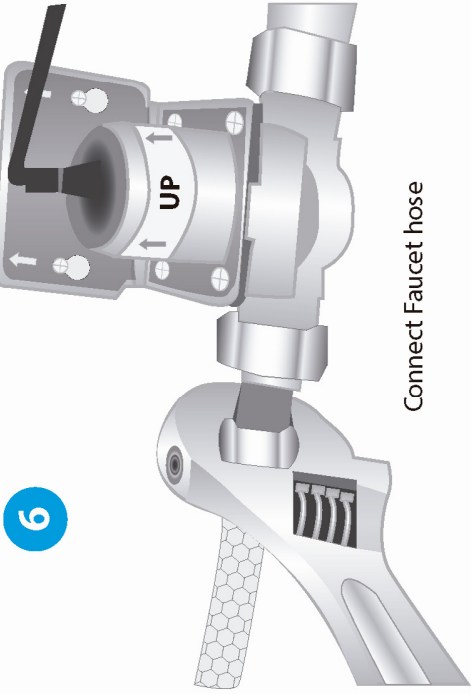
Mark holes for valve and install on the wall, follow instructions on label



Connect cold supply line
NOTE: Drain the water line Before the hose is connected



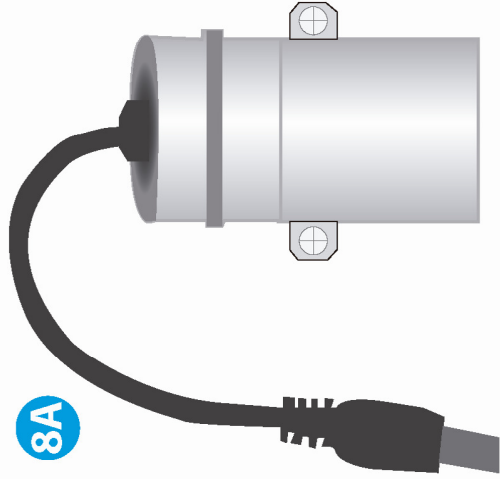
Optional Mixing valve
NOTE: Drain the water lines Before the hoses are connected



Connect Faucet hose



Mark holes for batteries case holder and install on wall



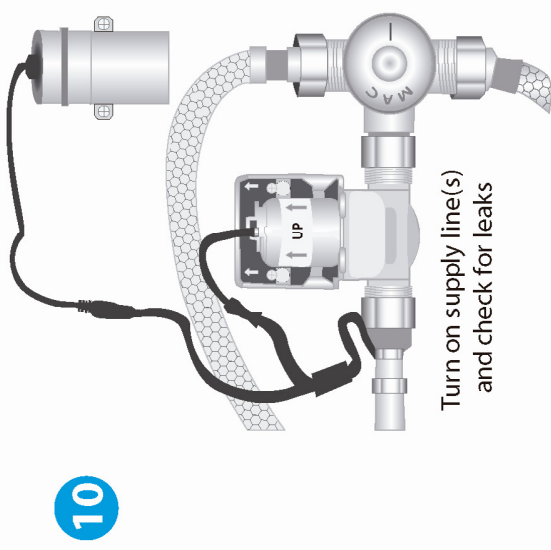
Insert the batteries case into case holder



OPTIONAL: 110V AC power supply

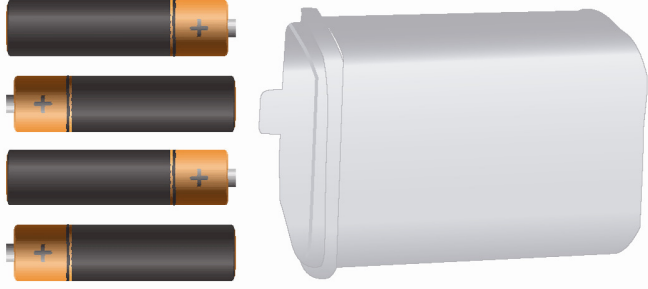
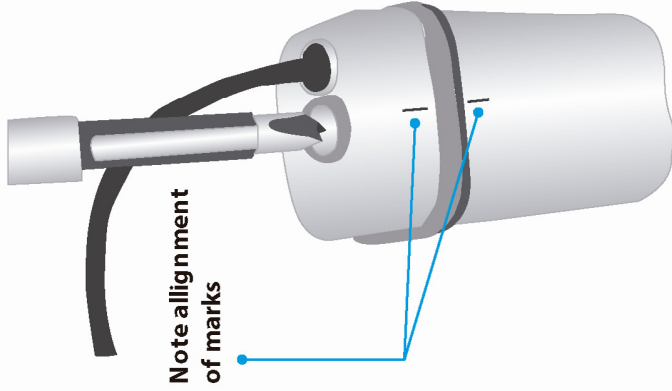


Align marks located on solenoid plug and push firmly. Power plug does not require alignment, Plug and push firmly. Make sure no objects are present in the sink when plugging sensor and power cables. After plugging cable, wait one minute before placing items in the sink.

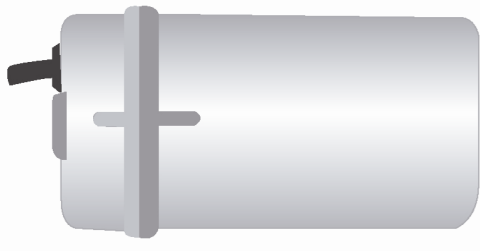
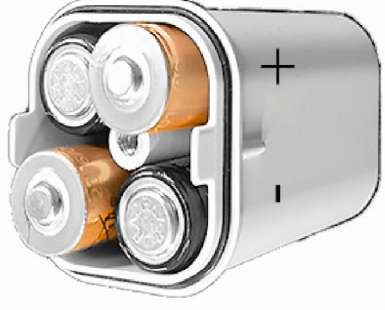


Turn on supply line(s) and check for leaks

Battery Replacement



Use All New, good quality AA batteries



LIMITED WARRANTY

Mac Faucets warrant this faucet to be free of defects for a period of one year from date of purchase. Mac Faucets will replace, free of charge, during this warranty period, parts that prove defective when properly installed and under normal use and service. Damage

That occurs as a result of abuse, improper installation, environmental conditions, or improper application will void this warranty. Products must be shipped with postage and handling prepaid, along with dated proof of purchase. This warranty does not cover installation or any other labor charges, it does not cover shipping and handling of both replacement parts and returned defective parts. Products or components that have been altered or in any way modified will not be covered under this warranty. Replacement parts are under warranty only for the remaining period under the initial warranty. Some states do not allow for exclusion of incidental or consequential damage.

OPTIONAL EQUIPMENT



OTC-210
Matching Electronic
Soap Dispenser



OTC-215
Wall Mount Electronic
Soap Dispenser



ATV-3
Automatic Toilet Valve



AUV-3
Automatic Urinal valve



A-12910
Adjustable under sink
mixing valve



A-19000
AC Adapter



A-10400
4" On Center Deck Plate



A-10800
8" Deck Plate



A-13000
Lavatory drain Grid Type **with**
over flow Port

A-13100

Lavatory drain Grid Type **without**
over flow Port