

MAC FAUCETS

Electronic, Sensor Liquid Soap Dispenser



PYOS-1102 **MATCHING FAUCET** **FA400-1102**

Features:

- **Dispenses Standard liquid Soap.**
- **Soap Amount is Adjustable.**
- **Noise Free Reliable Operation.**
- **Battery Powered, AC Optional.**
- **Easy to Refill Soap System Design.**
- **Available in Twenty + Matching finishes**

Package Includes

Spout

Soap Pump

All Hose Connections between Pump and Spout

800ml Soap Bottle

Battery Case and Case Holder

Mounting Hardware

Remote Control Optional

All hardware needed for satisfactory installation

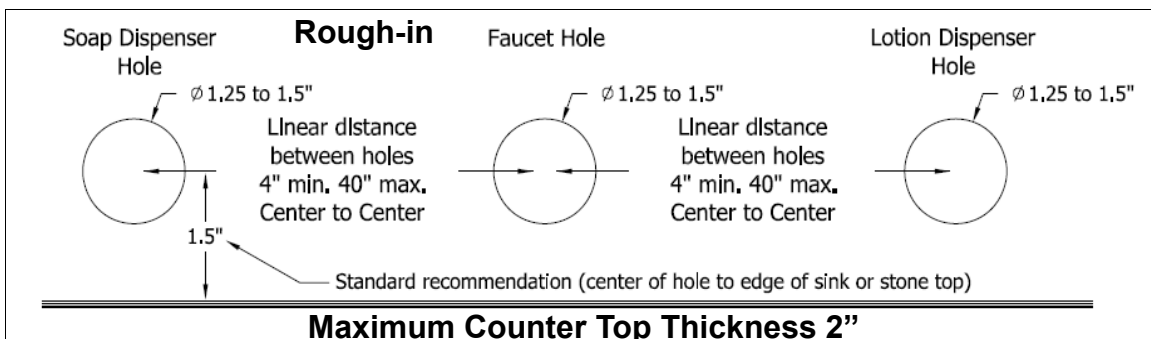
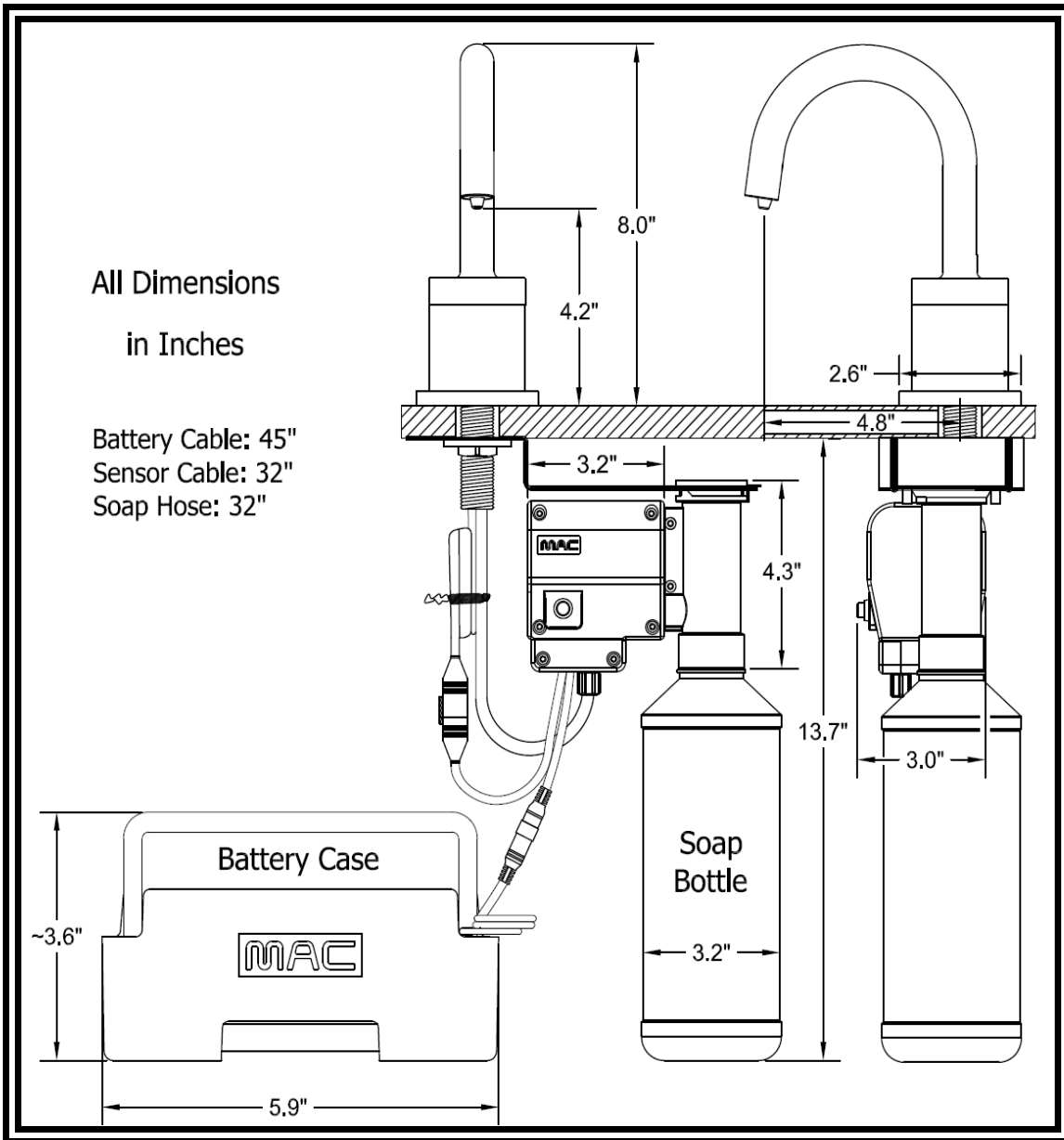
**DESIGNED
& ASSEMBLED IN**

U.S.A.



BEST SUITED FOR VESSEL SINK APPLICATIONS WHERE THE TOP OF THE SINK IS 2" ABOVE THE COUNTERTOP SURFACE

SPECIFICATIONS	
MODEL:	PYOS-1102
SPOUT:	BRASS
POWER:	4 (D) BATTERIES / AC ADAPTER OPTIONAL
SOAP PUMP:	6 VOLT NOISE-FREE PERISTALTIC PUMP SYSTEM
COUNTER ACCOMMODATIONS:	PLEASE VIEW ROUGH-IN DRAWINGS ON PAGE TWO
SENSOR TYPE:	ACTIVE INFRARED, SELF-ADJUSTING
SENSING RANGE:	ADJUSTABLE WITH OPTIONAL REMOTE CONTROL
WORKING SOAP:	STANDARD LIQUID SOAP. NO GRIT (INDUSTRIAL) SOAP
SOAP BOTTLE CAPACITY:	800ML (JUST UNDER A QUART) OPTIONAL 1 GALLON CONTAINERS
SOAP AMOUNT PER USE:	0.5ML TO 1.5ML, ADJUSTABLE WITH OPTIONAL REMOTE CONTROL



- Optional Equipment:**
- AC Adapter
 - Remote Control (one for many dispensers)
 - 1 Gallon capacity container.