

MAC FAUCETS

FA43 WALL MOUNT FAUCETS

Installation Procedure:

Take a moment to view drawings and read “special Installation note” on pages 4 and 5 of this manual before proceeding with installation. Connect Faucet Automator model FA43 exactly as shown in drawing, with sensor cable connection pointing down, water inlet on the right, water outlet from below. Failure to install Faucet Automator Model FA43 exactly as shown will result in premature product failure and will void all warranties including extended warranty.

Make sure wall surface area is clean and free of debris.

- > Faucet FA43-124: slide supplied disc (flashing) over spout with smooth surface facing forward.
- > Faucet FA43-125 place supplied decorative ring onto end of spout. This faucet requires 1/2” nipple (not supplied).
- > Faucets FA43-129 and FA43-130 require 1/2” nipple (not supplied).

Install new faucet by fastening spout to pipe elbow which has been installed behind the wall. Elbow must be 1/2” NPT

Please be especially careful not to mar the faucet surface.

Install Sensor by placing sensor wire through the hole designated for sensor.

Using “Plumbers Putty” or Silicon as a bedding compound, push sensor body into hole and allow to hold.

Make sure that wire is not crimped or cut during installation. Cutting or severely crimping sensor wire will cause faucet to malfunction and will also void warranty. Sensor wire is specifically designed to resist damage, simple careful steps and common sense is all that is necessary for a complete and rewarding installation process.

Locate a spot on the wall (below counter) that you feel is suitable for installing Faucet Automator FA43. The spot selected should be within reach of braided hose and sensor wire, and should not be located below an area with potential water leaks.

1. Place Faucet Automator FA43 against the wall and mark the 2 spots where mounting holes will be. Using drill size 1/4” drill 2 holes. Insert supplied anchors in the holes.
2. Fasten Faucet Automator FA43 using supplied fasteners.
3. Remove stainless steel braided hose from package and fasten to brass pipe below sink that is designed to deliver water to the spout. Install the other end of the hose to Faucet Automator’s water outlet located at the bottom of the FA43 Automator.
4. Align groove on sensor plug with groove on Faucet Automator FA43 sensor receptacle, insert plug into receptacle and push.
5. If Supplied, connect mixing valve to inlet side of faucet Automator.

Before proceeding to step the next step, purge both hot and cold water lines for at least a minute each at high volume. Purging water lines clears out dirt and debris that would otherwise find its way to screen filter.

***For single water source application: Install **cold water** supply hose to Faucet Automator’s water inlet. **Do not install hot water supply hose only in single water source application as this might result in scalding injury..**

***For hot/cold water application: Install hot and cold water supply hoses to inlet side mixing valve. Turn angle stops on. **Check for leaks.**

MAC FAUCETS

15962 Downey Ave

Paramount, CA 90723

Tel 866.558.3200 – Fax 310.919.3073

www.macfaucets.com

Operation:

Place hands under spout and directly in front of sensor, water will begin to flow out, flow rate is governed by aerator and supply pressure. Water mixture is selected at MAC A-12910 mixing valve (when used) as well as water temperature in supply pipes. PLEASE REMEMBER, AUTOMATIC FAUCETS EMPLOY "PRESENCE" NOT "MOTION" SENSORS. AN IDLE OBJECT PLACED DIRECTLY UNDERNEATH SPOUT WILL IMMEDIATELY ACTIVATE FAUCET.

Remove hands and water will cease to flow within 1-3 seconds.

If hands are left underneath spout for 30 seconds, water will automatically shut off. To initiate flow again move hands away from faucet and start at step 1.

When attempting to run water over small objects such as tooth brush, it may be necessary to bring object closer to sensor to initiate water flow, when water begins to flow, move object back under stream of water.

Battery Replacement Instructions:

Batteries should provide 12 to 24 months of reliable service mostly depending on the make of battery used and the frequency of usage among other factors. Battery weakness is indicated by constantly flashing LED light within the sensor capsule. When replacing batteries **please view drawings on page 4.** and follow these simple steps:

1. Unfasten the 4 Philips screws located on face of the Faucet Automator FA43.
2. Hold both water fittings down and carefully remove enclosure cover.
3. Pull black battery holder out, and unfasten 4 Phillips screws. **Be careful not to damage wire.**
4. Replace batteries with **4 AA Duracell Copper Top** batteries only.
Make sure batteries are oriented properly in the battery holder.
5. Reassemble black battery holder, and fasten 4 Phillips screws.
6. Re-install battery holder into the Faucet Automator.
If battery holder was unplugged during removal, replug making sure the male and female plugs are oriented correctly.
7. Test faucet prior to placing enclosure cover back on.
8. Place enclosure cover back on. Fasten 4 Philips screws.

Sensor Range Adjustment:

Sensor range is self adjusting for optimal performance the moment the sensor is plugged into Automator. When plugging sensor into Automator, make sure that no object are placed in front of sensor (such as boxes, tools, etc..)

Sensor range may be adjusted for closer range by: a. disconnecting sensor from Automator. b. placing a **TAN OBJECT such as SHIPPING BOX** in front of sensor at the desired distance, and c. replugging sensor into Automator triggering the sensor to adjust itself to the desired distance. This process might be repeated in order to achieve the desired performance.

******* Sensor wire must be unplugged for 60 seconds minimum before replugging *******

Please note: Sensors that are adjusted for longer range may be triggered unnecessarily by individuals walking in front of sink. Please adjust sensor range with that in mind.

Trouble Shooting:

(Always make sure that sensor lens is clean and Duracell Copper Top batteries are fresh)

Faucet does not operate, red light does not blink in response to approaching objects:

1. Sink is blocking "sensor's vision", re-install properly.
2. Hands are not placed properly under spout and inline with sensor.
3. Batteries need replacing. See battery replacement instructions.
4. Batteries installed improperly in battery pack, battery harness not plugged in properly, see installation instruction, and battery replacement instructions.
5. Sensor wire loose, unplugged, plugged improperly, plug sensor wire properly. Please call MAC Faucets for instructions.

Faucet does not operate, red light DOES blink in response to approaching objects:

1. No water, very low water pressure in supply pipes, supply valves closed.
2. Water pressure very high, well above 115 PSI.
3. Screen filter severely clogged up.
4. Supply hoses severely kinked.
5. Batteries low or defective, replace batteries.

Faucet operates on and off “by itself”:

1. Sensor range adjusted too long, and must be adjusted for shorter range.
2. Objects (such as sink lip) may be present in close proximity to sensor.
3. (Rare) Severe transient infrared signal present in the environment, probably caused by a defective neon light.

Faucet leaks, drips:

Constant leaks or drips indicate defective solenoid valve, send Faucet Automator for repair or contact an authorized plumbing professional.

Loud thump noise when faucet turns on and off.

This is an issue commonly associated with diaphragm type valves such as washing machine valves, dishwasher valves, etc. The noise is generally present in the piping system. Clear winner remedies are to:

1. Lower water flow rate (see flow rate adjustment section of this manual).
2. Install “hammer arrestors” in close proximity to your automatic faucet. Please consult a plumbing professional for this task.
3. Problem often caused by defective angle stop. Replace angle stop.

Faucet continues to run for 30 or 60 seconds after hands are removed then shuts off:

This very rare condition generally occurs due to over sensitivity on the part of the sensor, high water flow, and/or bathroom lighting setting. This condition is always field curable.

1. Turn down water flow rate.
2. Replace aerator with 0.5GPM aerator (when possible).
3. Adjust sensor range to “shorter”. Please call MAC Faucets for instructions.

Runaway faucet, water runs out of faucet continuously, longer than 1 minute, does not stop.

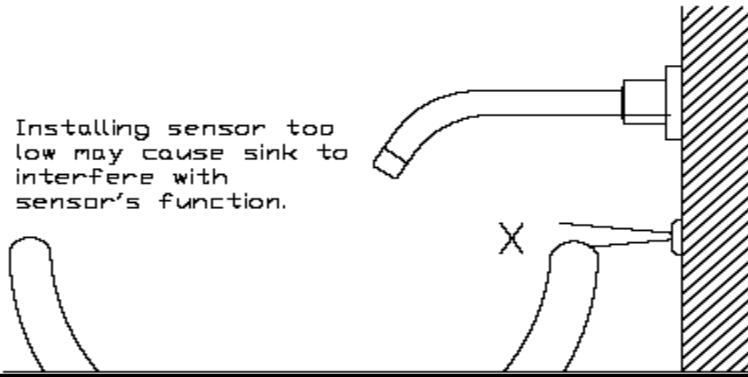
1. Make sure batteries are installed properly, if A.C., make sure that power is present at wall receptacle.
2. Make sure Faucet Automator is properly oriented on the wall, see drawings below.
3. Make sure that sensor wire from faucet is plugged into Faucet Automator.
4. Make sure that sensor wire is not cut or broken especially near mounting nut and washer immediately below deck.
5. Make sure that water is plumbed correctly into Faucet Automator, Water in to “inlet”, water out from “Outlet” see Drawings.
6. If items 1 to 5 are OK, please contact Factory for more tips on your particular installation.

Special Installation Note

Automatic faucets are design to perform properly in a variety of applications. There are some conditions, however, that may adversely impact the faucet’s ability to perform. Please note the following conditions prior to installing your new faucet:

1. Your automatic faucet is designed for indoor applications. This faucet is not designed for outdoor applications.
2. Avoid installing your new faucet in direct sunlight. Direct sunlight that is focused on sensor will temporarily disable faucet’s sensing capabilities.
3. If you choose to install your faucet to one water source only, **do not install to hot water only** as this may result in scalding injury.
4. **Important:** Before connecting supply line to Faucet Automator, purge both hot water and cold water lines for at least one minute each at high volume. Purging water lines clears out dirt and debris that would otherwise find its way to screen filter within the solenoid valve.
5. **Important:** Do not use pipe putty on water connection to faucet. Pipe putty may cause immediate and irreversible damage to solenoid valve. Please use Teflon tape instead.
6. **Important:** If you do not plan on using faucet immediately after installation (within 60 days of installation), disconnect water supply lines to faucet and unload the water pressure that may be present in faucet. This will keep new solenoid valve components from bonding together under high pressure.

Installing sensor too low may cause sink to interfere with sensor's function.



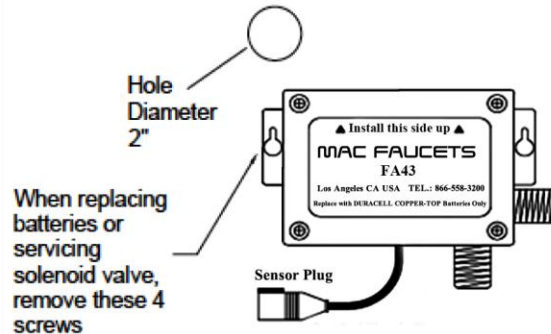
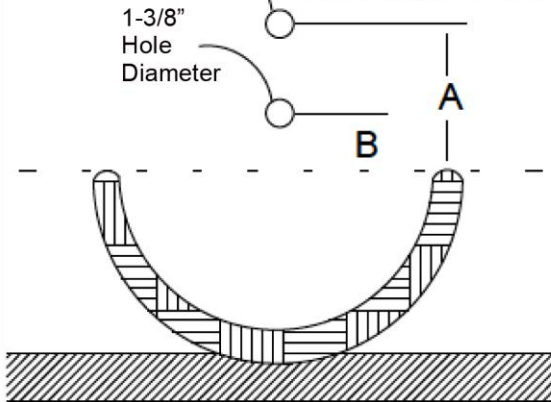
LIMITED WARRANTY

MAC FAUCETS WARRANT THIS FAUCET TO BE FREE OF DEFECTS FOR A PERIOD OF ONE YEAR FROM DATE OF PURCHASE. MAC FAUCETS WILL REPLACE, FREE OF CHARGE, DURING THIS WARRANTY PERIOD, PARTS THAT PROVE DEFECTIVE WHEN PROPERLY INSTALLED AND UNDER NORMAL USE AND SERVICE. DAMAGE THAT OCCURS AS A RESULT OF ABUSE, IMPROPER INSTALLATION, ENVIRONMENTAL CONDITIONS, OR IMPROPER APPLICATION WILL VOID THIS WARRANTY. PRODUCTS MUST BE SHIPPED WITH POSTAGE AND HANDLING PREPAID, ALONG WITH DATED PROOF OF PURCHASE. THIS WARRANTY DOES NOT COVER INSTALLATION OR ANY OTHER LABOR CHARGES. IT DOES NOT COVER SHIPPING AND HANDLING OF BOTH REPLACEMENT PARTS AND RETURNED DEFECTIVE PARTS. PRODUCTS OR COMPONENTS THAT HAVE BEEN ALTERED OR IN ANY WAY MODIFIED WILL NOT BE COVERED UNDER THIS WARRANTY. REPLACEMENT PARTS ARE UNDER WARRANTY ONLY FOR THE REMAINING PERIOD UNDER THE INITIAL WARRANTY. SOME STATES DO NOT ALLOW FOR EXCLUSION OF INCIDENTAL OR CONSEQUENTIAL DAMAGE.

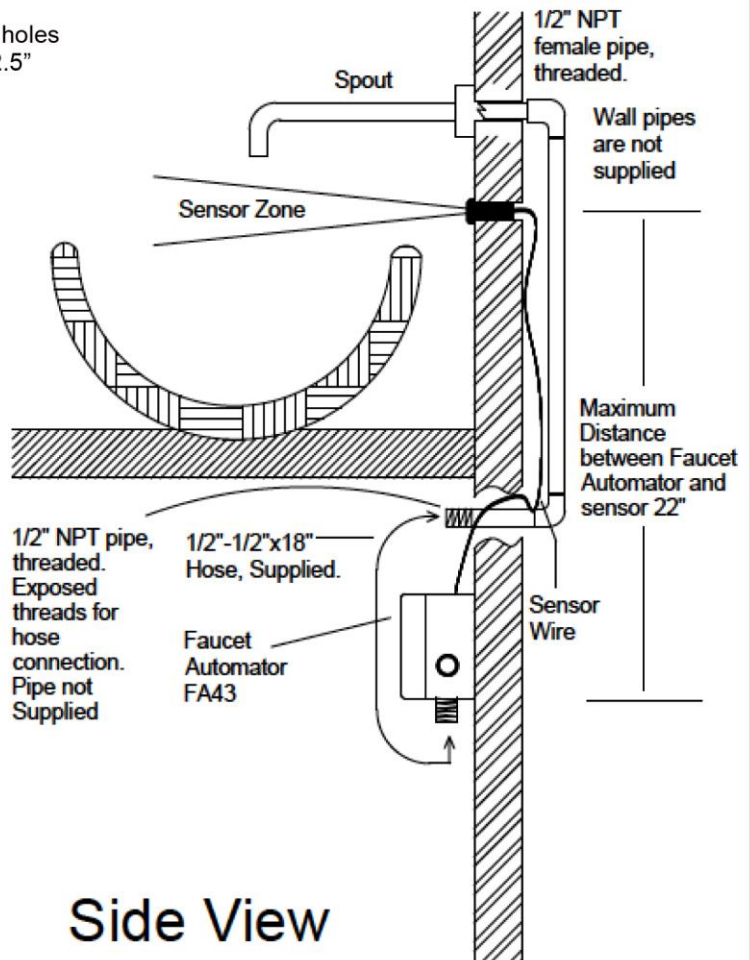
Vertical Clearance:
 A: 12" Maximum, 6.5" Minimum
 B: 4" Maximum, 2" Minimum

1-3/8" Hole Diameter
 1-3/8" Hole Diameter

Minimum distance between holes A to B (center to center) is 2.5"



Front View



Side View