

MAC FAUCETS

The Leader in Decorative Automatic Faucets Worldwide



Model: FA-3263

Featuring:

- **Solid Brass Faucet.**
- **Lead-Free Construction**
- **Matching Electronic Soap Dispenser**
- **Digital Plug and Play System.**
- **Resin Encased Control Electronics.**
- **Battery powered, A/C Option.**
- **Visible Low Battery Indicator.**
- **ADA Compliant**
- **Vandal Resistant**



Package Includes

Faucet

Solenoid Valve

Please Note: Faucet Sold Without Drain

Stainless Steel Hose

Mounting Hardware

Batteries Pre-installed

All the hardware necessary for satisfactory installation

ANSI A112.18.1M

CSA Standard B125, 1.5
U.S. GPM

NSF/ANSI/CAN61-2022
Certified

Optional Equipment:

Lavatory Drain, Grid and Pop-Up Type

Deck Plate for 4" and 8" Center Sinks

Adjustable Under the Sink Mixing Valve

Matching Soap Dispenser

Matching Hole Cap Cover

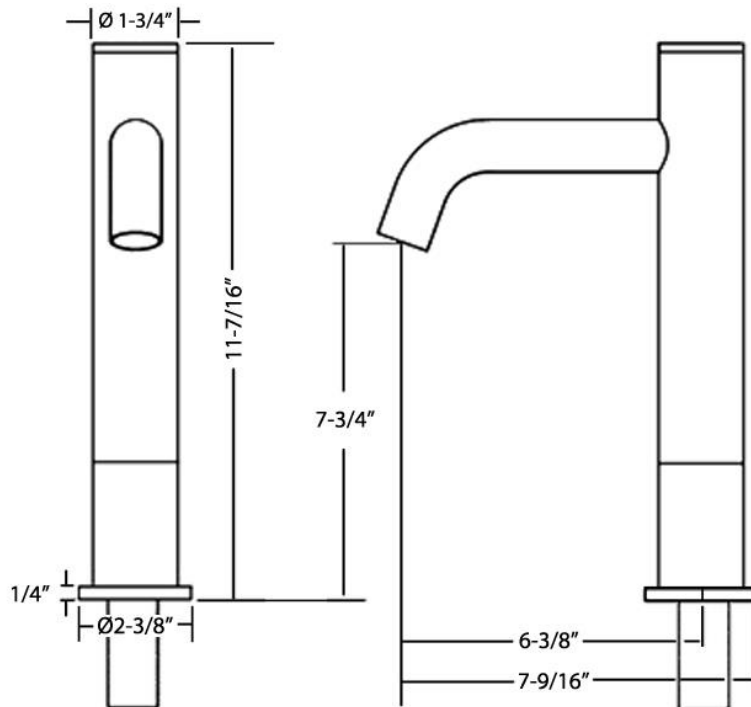
AC Adapters

The model FA-3260 is ideal for decorative commercial and industrial applications. This unique faucet is rated **HEAVY DUTY** and, employs plug-and-play digital electronics, a hermetically sealed sensor capsule with a visible low battery indicator, as well as one of the most reliable solenoid valves of any electronic faucet.

SPECIFICATIONS AND DIMENSIONS

MODEL:	FA-3263
SPOUT:	LEAD-FREE SOLID BRASS
POWER:	4 (AA) ALKALINE BATTERIES OR AC ADAPTER
BATTERY LIFE EXPECTANCY:	300,000 CYCLES
SOLENOID VALVE:	6 VOLT MAGNET LATCHING
WORKING WATER PRESSURE:	1 PSI -100 PSI
SUPPLY INLET SIZE:	1/2" NPT MALE
WATER TEMPERATURE CONTROL:	NONE
POP-UP DRAIN ROD:	NONE
ELECTRONIC SOAP DISPENSER	OPTIONAL: WE RECOMMEND PYOS-3203 ELECTRONIC SOAP DISPENSER
SENSOR MICROPROCESSOR:	DIGITAL, PLUG, AND PLAY
SENSING RANGE:	2" TO 6"
RESPONSE TIME:	0.6 SECOND
SHUT-OFF DELAY TIME:	3 SECOND
MAXIMUM RUNNING TIME:	30 SECONDS
PARTICLE FILTER SIZE:	50 MESH
AERATOR:	1.5 GPM. OPTIONAL 0.5 GPM

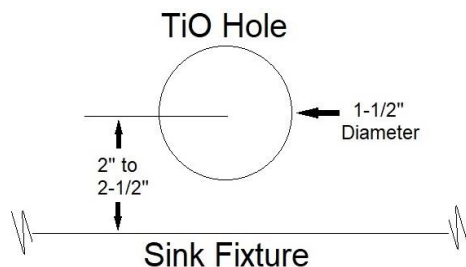
All Dimensions in Inches



Rough-in

Countertop Thickness: Up to 2-1/2"

Available: Extra Long Shanks for Thicker Countertops Please call before ordering



MAC FAUCETS, LLC

www.macfaucets.com Tel 866 558 3200 Fax 310 919 3073 Email info@macfaucets.com