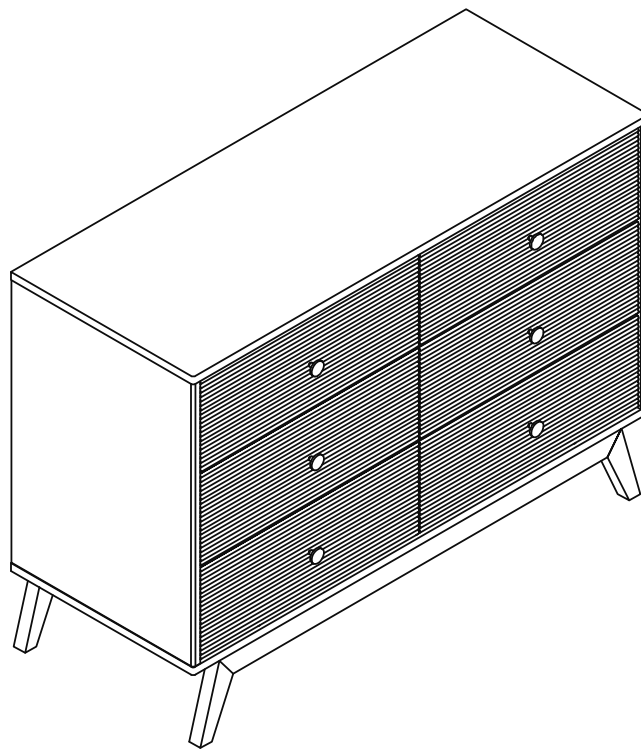


dadada®

Merry dresser
Assembly Instructions





Your baby's first...

We believe every family deserves beautiful spaces, quality construction that spans generations, and the peace of mind that comes with knowing their baby is at the center of everything we do.

dadada is modern nursery furniture designed with baby's first moments in mind. From form to function, base materials to baby-safe finishes, each piece is created to grow alongside little ones and provide parents with a trusted foundation for their family's most precious memories.

what makes us special?



thoughtfully controlled manufacturing

all our cribs are manufactured in Italy in well-established, certified factories that use state-of-the-art modern technologies.



one-year warranty on our dressers

we guarantee the quality of our products and offer a limited warranty to protect you against product failure or damage.



baby-safe finishes

our paints and stains are ALWAYS lead and phthalate free, and meet strict juvenile and industry safety standards.



affordable luxury

we sell our modern, beautifully designed pieces at attainable prices because we believe that every baby deserves the absolute best in design.



sustainably minded, durable materials

we use hardwoods that are not only aesthetically beautiful, but also strong enough to last generations, reducing the amount of disposable furniture that finds its way to our landfills.



GREENGUARD Gold Certified Cribs

for indoor-air-emissions testing according to stringent requirements exceeding the State of California indoor air quality for schools and GSA standards.

learn more on our website





Thank you for purchasing our product. Please follow these assembly instructions carefully - they will save you time and make assembly easier and prevent possible damage to your new dadada furniture.

We strongly recommend assembling this unit on a soft surface, like carpet or a blanket.

When moving dadada furniture, always lift the product off the floor. Dragging or sliding the furniture can both damage the product and scratch your floors.



CAUTION

- READ ALL INSTRUCTIONS BEFORE USING THIS PRODUCT.
- KEEP THESE INSTRUCTIONS FOR FUTURE USE.
- NEVER PUT YOUR BABY ON TOP OF THE DRESSER WITHOUT A CHANGING TRAY

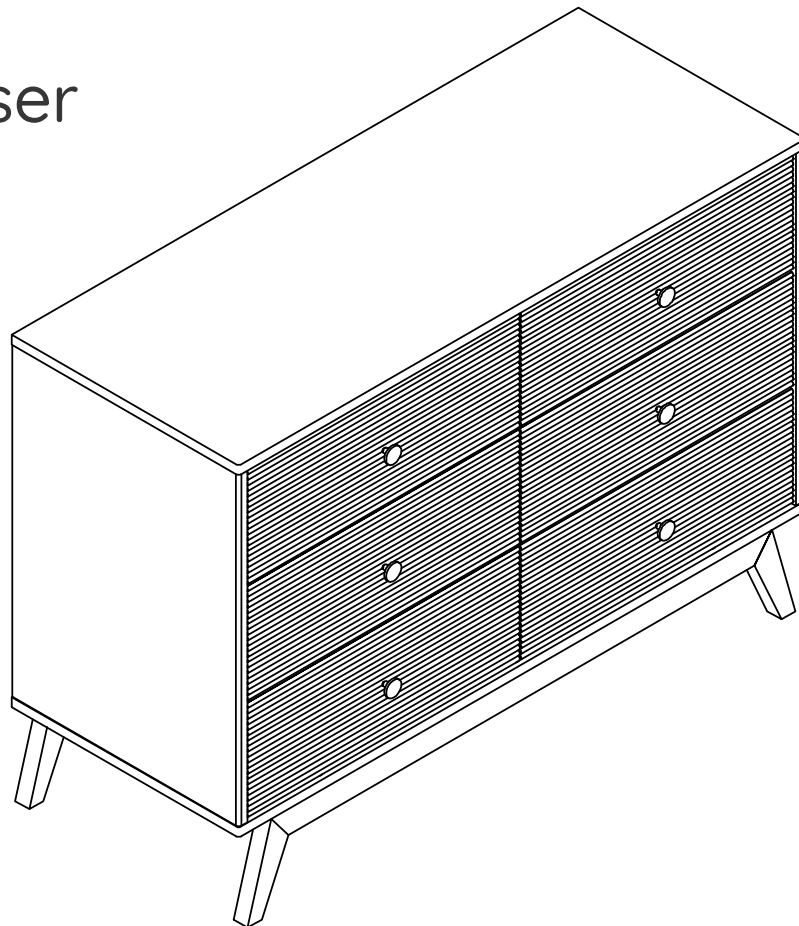


Before you start to assemble,
we highly recommend
watching the instructional
video on our website:
dadadababy.com

Your baby's first dresser

dadada:
Your baby's first...


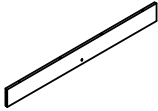
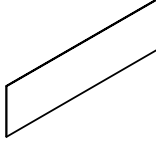
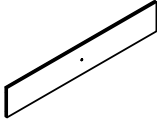


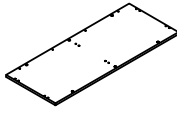
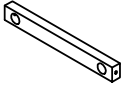
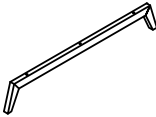
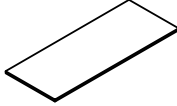
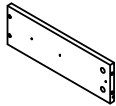
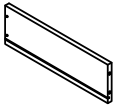
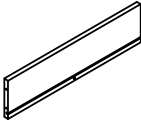
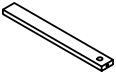
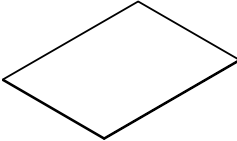
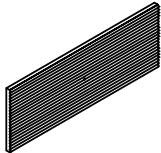
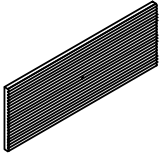
Merry dresser


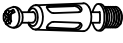
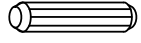
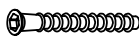


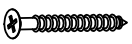
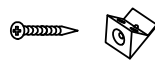









Parts List

.....

Please check to make sure you have all parts listed here before assembling. For any missing or faulty parts, please contact our Customer Care team. Customer Care contact info can be found on the last page of this manual.

1 x1 	2 x1 	3 x1 	4 x1 
5 x1 	6 x1 	7 x1 	8 x2 
9 x2 	10 x1 	11 x6 	12 x6 
13 x6 	14 x6 	15 x6 	16 x3 
17 x3 			

<p>A x48</p> 	<p>B x48</p> 	<p>C x12 Ø8x30</p> 	<p>D x12 Ø7x48</p> 
<p>E x1 4mm</p> 	<p>F x6 M6x55</p> 	<p>G x30 Ø4x40</p> 	<p>H x40</p> 
<p>I x36 Ø3.5x14</p> 	<p>J x4 M8x60</p> 	<p>K x4</p> 	<p>L x4 M8</p> 
<p>M x1</p> 	<p>N x6 M4x22</p> 	<p>O x6</p> 	

.....

Extra Fittings

A +3 Extra

B +3 Extra

C +3 Extra

D +3 Extra

F +3 Extra

G +3 Extra

H +3 Extra

I +3 Extra

J +3 Extra

K +3 Extra

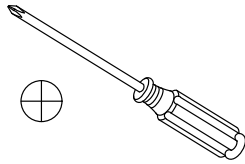
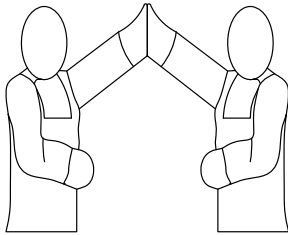
L +3 Extra

N +3 Extra

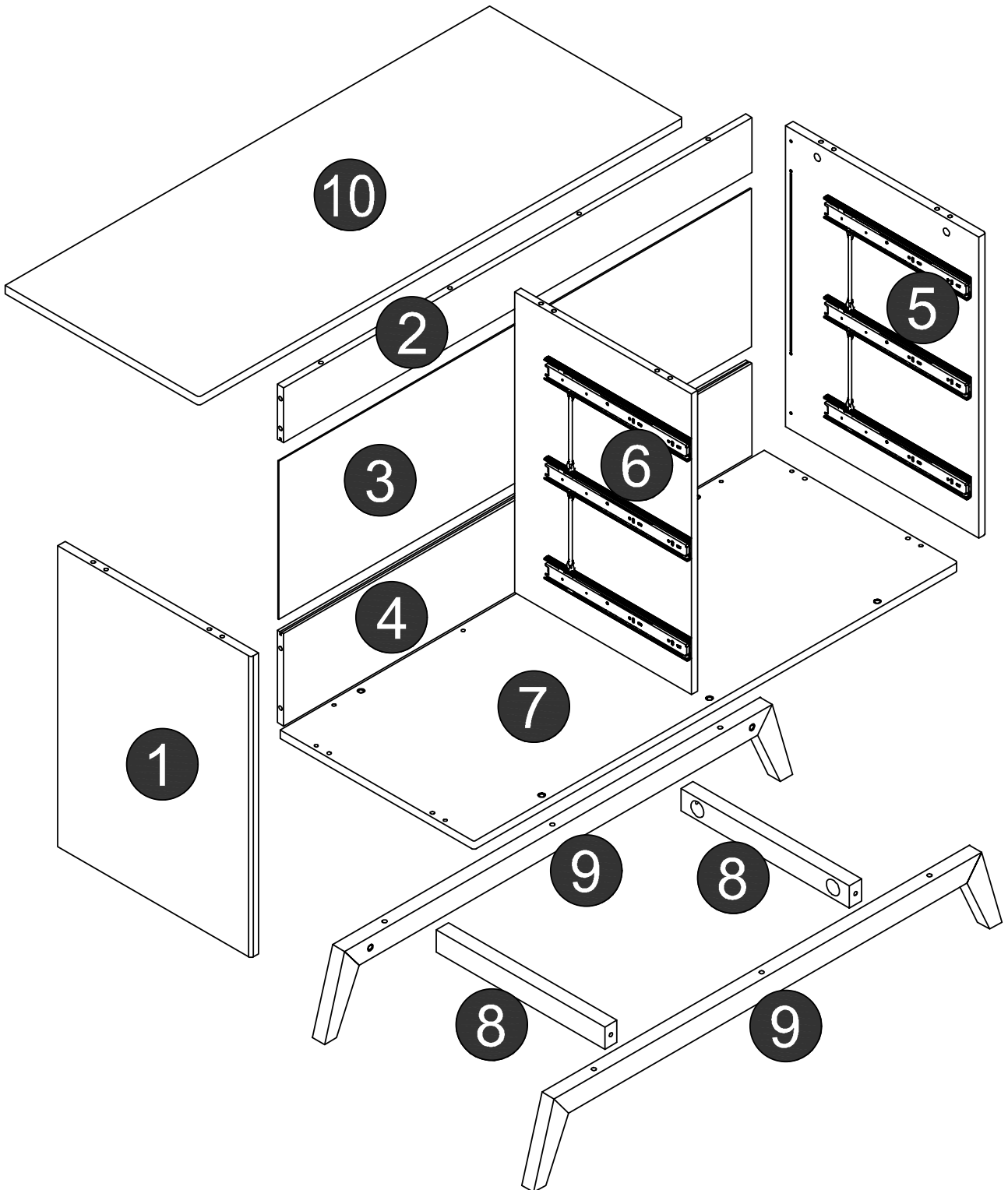
Tools Required for Assembly

(not included)

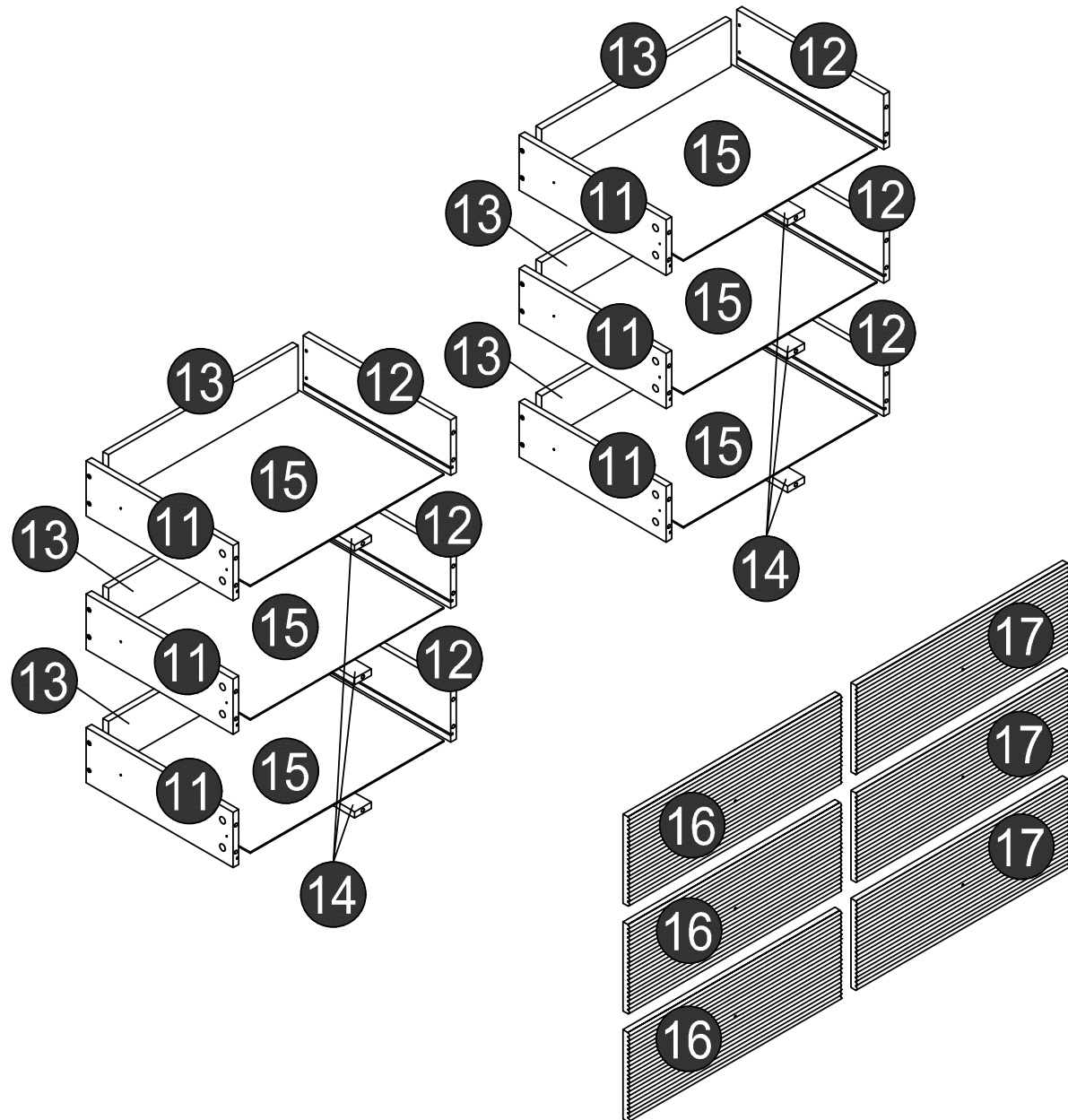
Images for illustration purposes only.



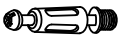
Over view

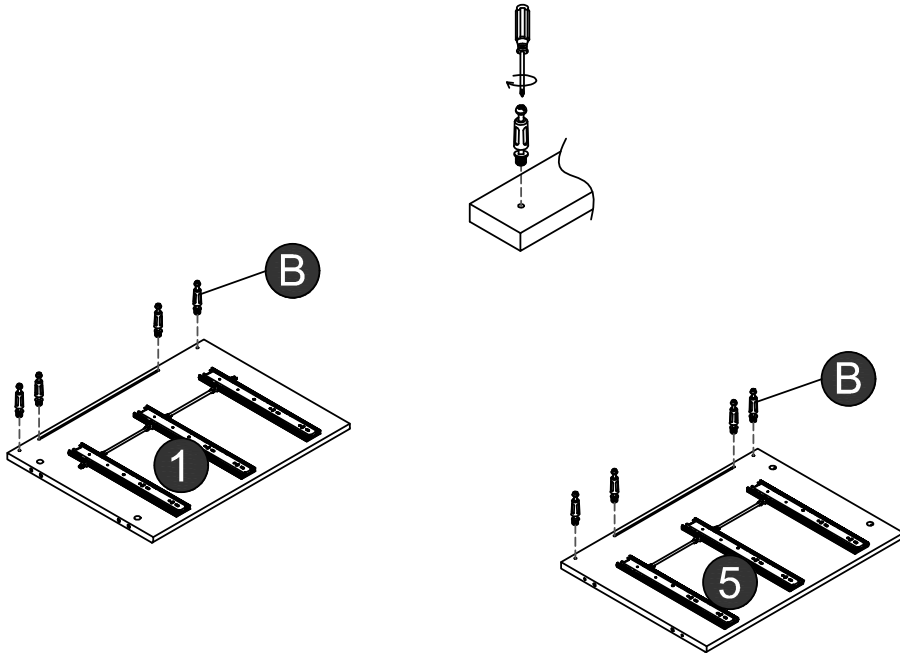


Over view




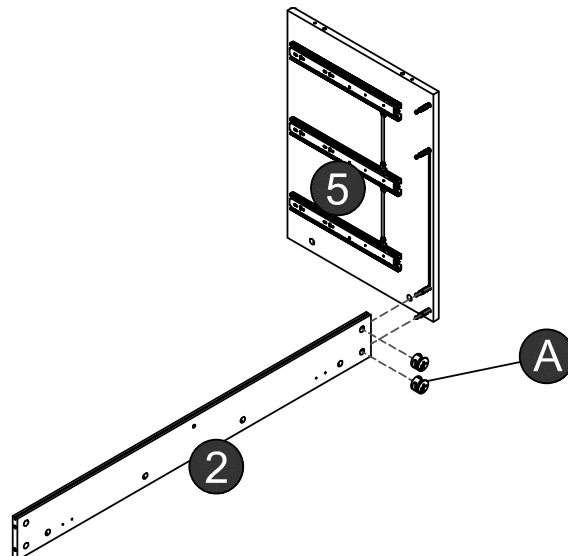
1

B x8 

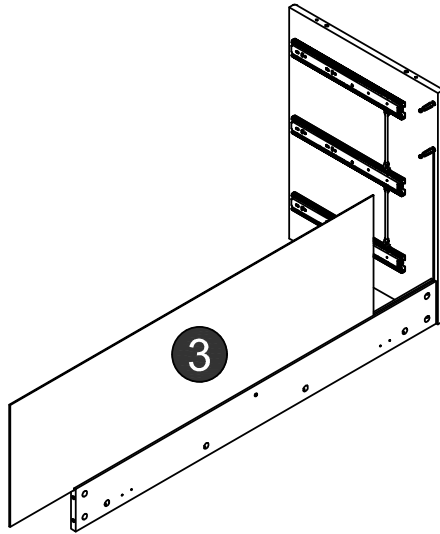


2

A x2 




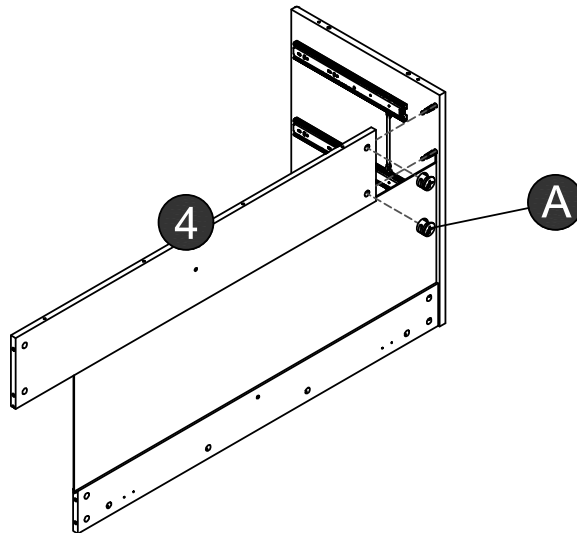
3



4

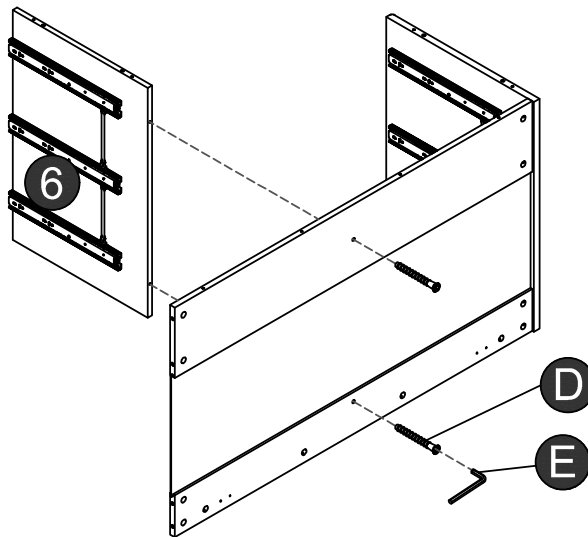


A x2 



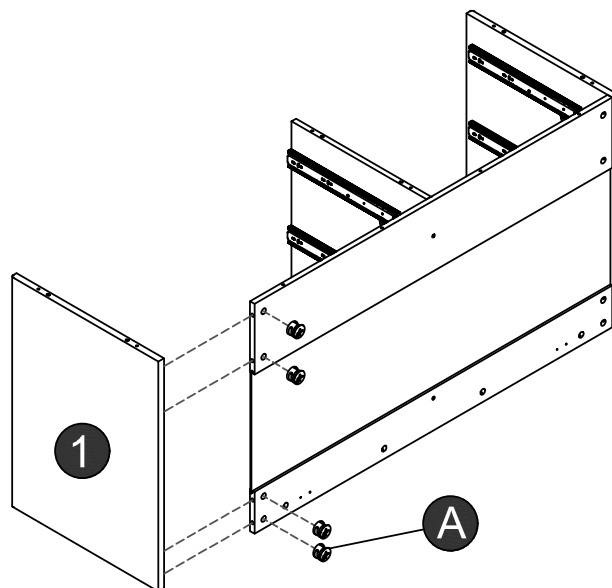
5

D x2 



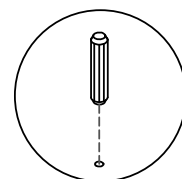
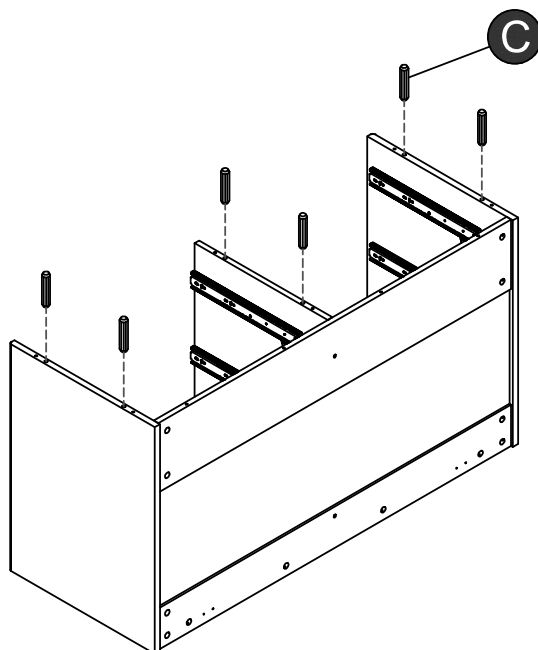
6

A x4 



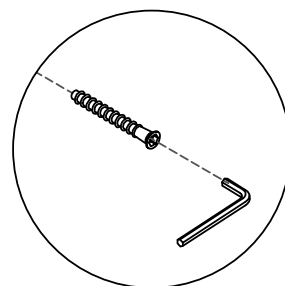
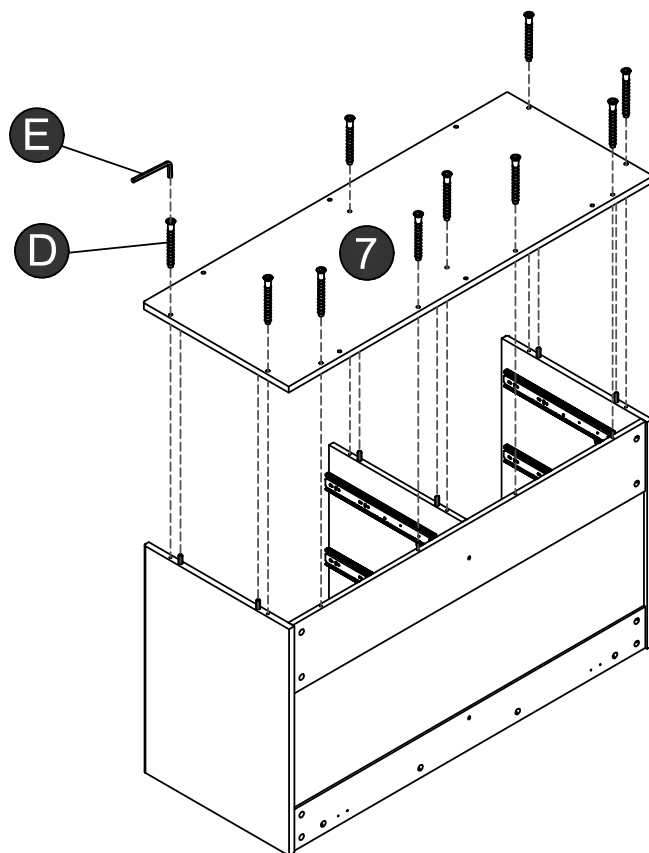
7

C x6 



8

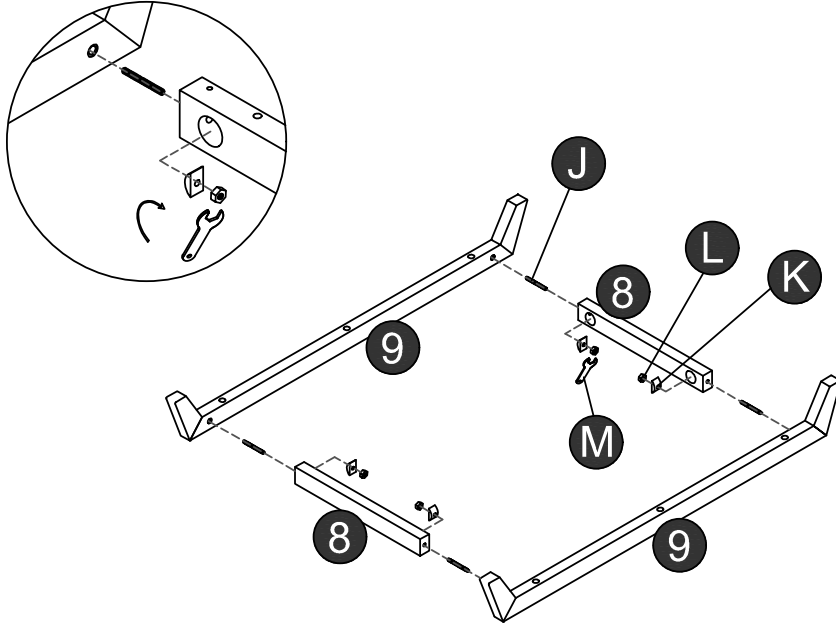
D x10 



9

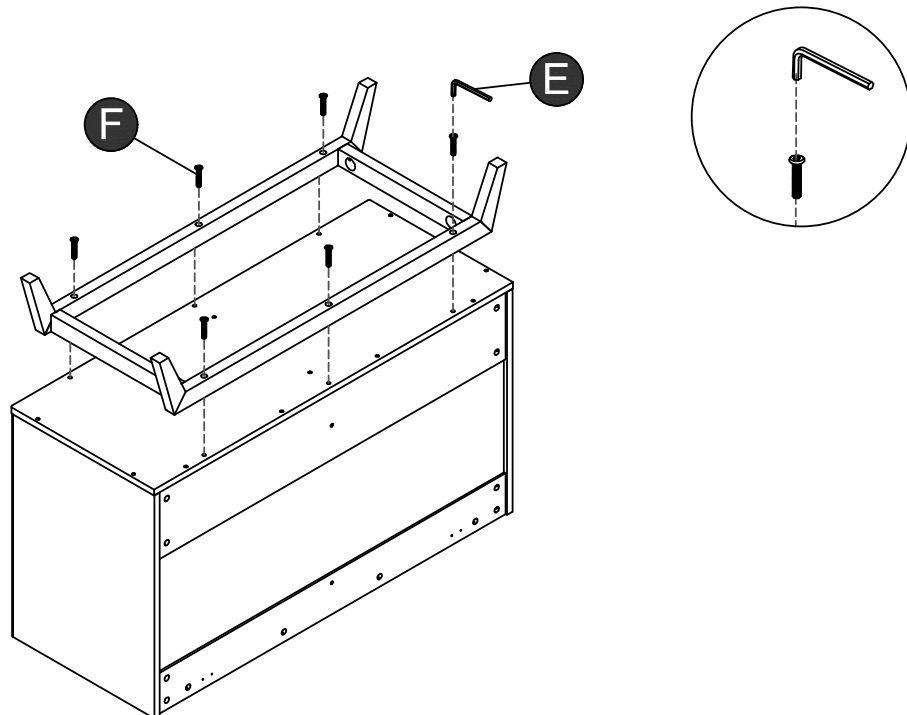
J x4 — K x4 L x4

Tighten 'L' clockwise with 'M'



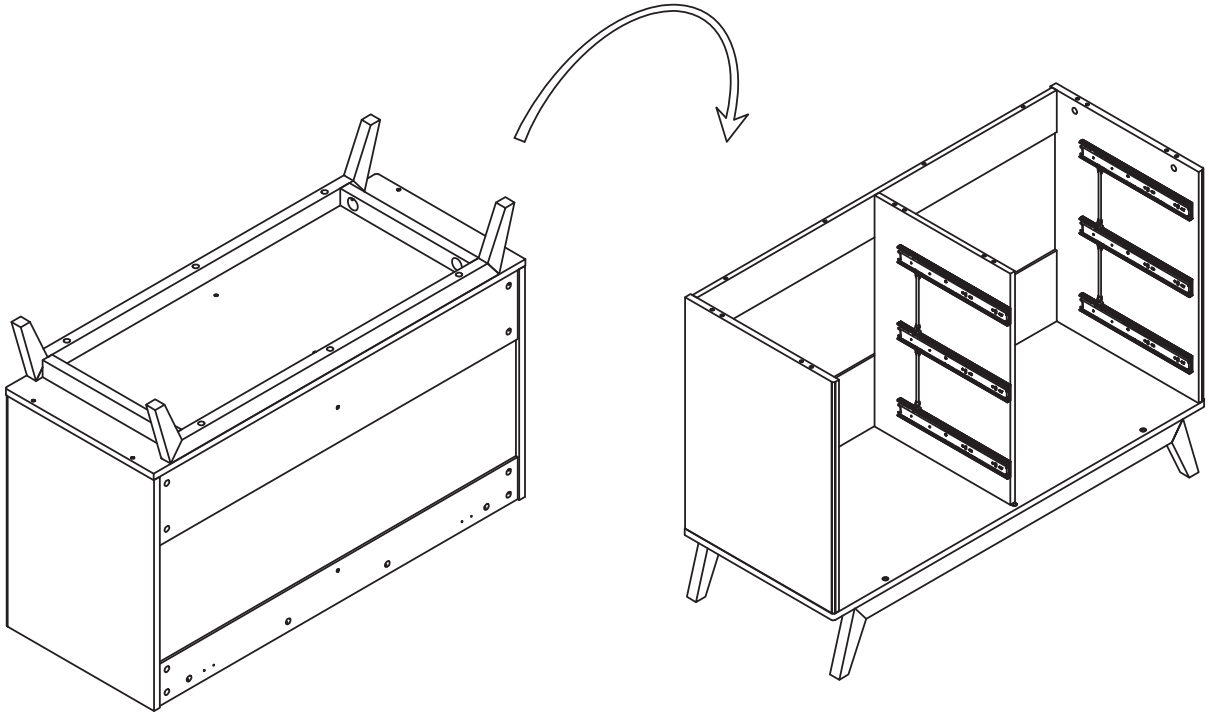
10

F x6



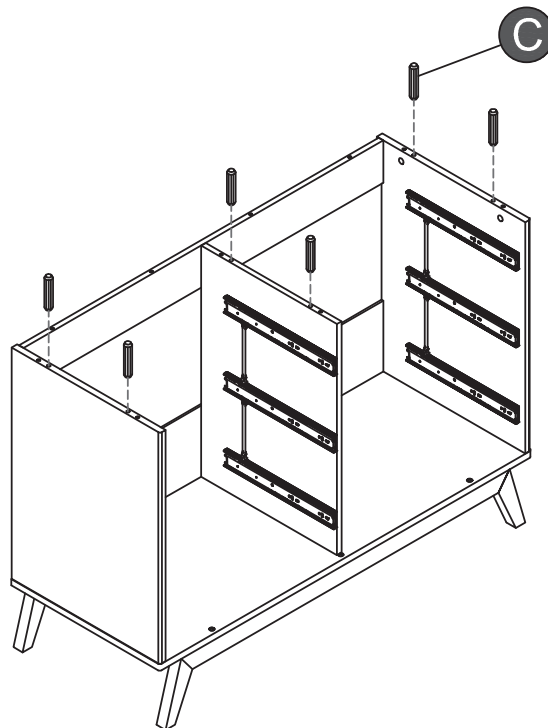
11

Turn over



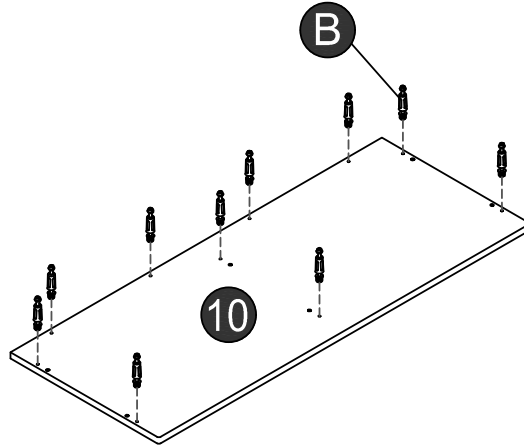
12

C x6 




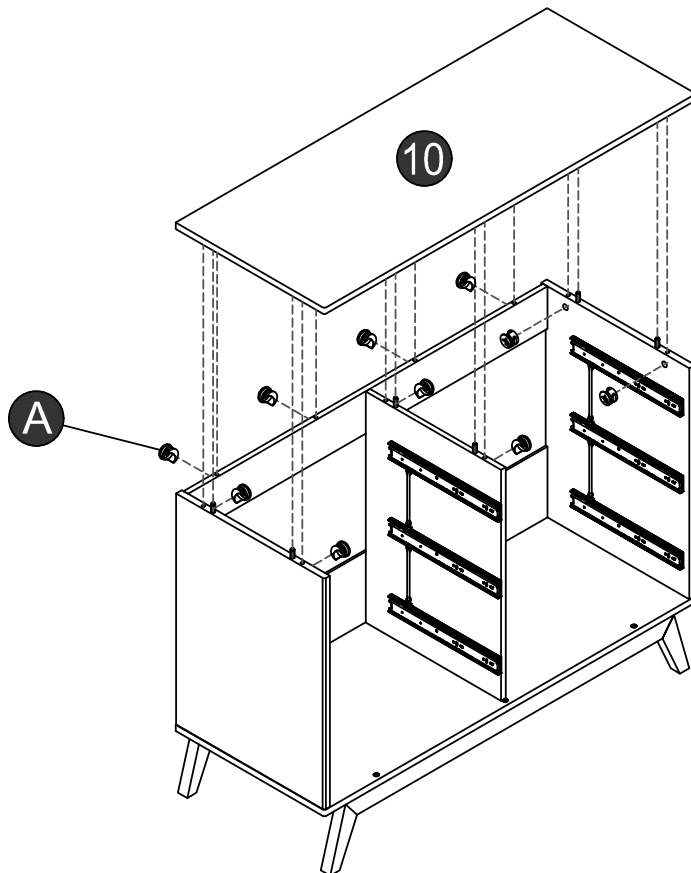
13

B x10 

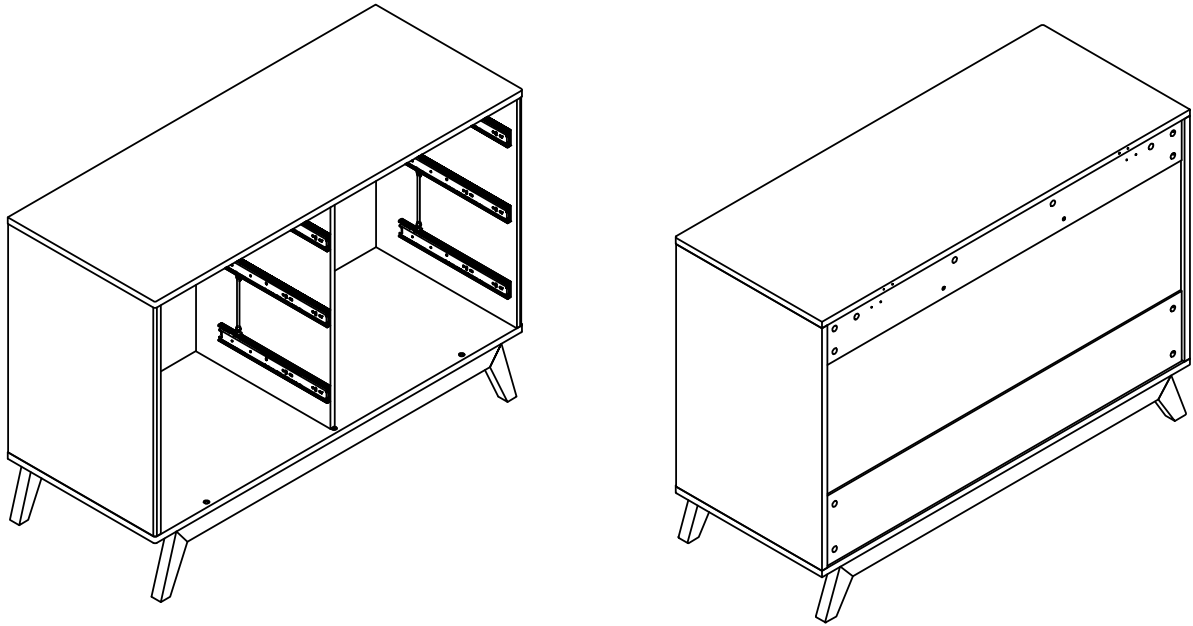


14

A x10 

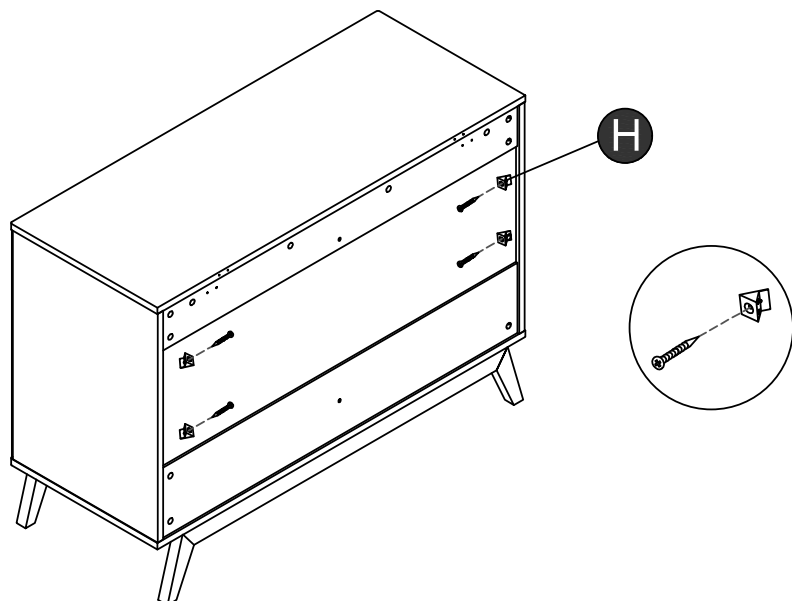


15



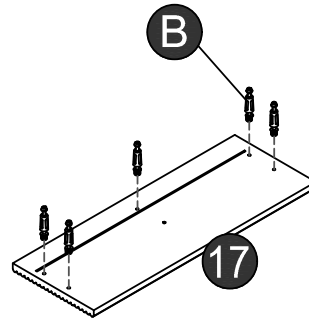
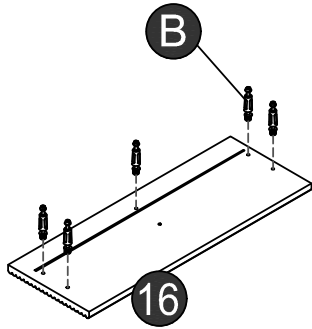
14

H x4  



17

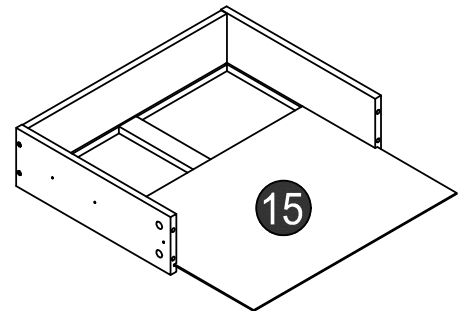
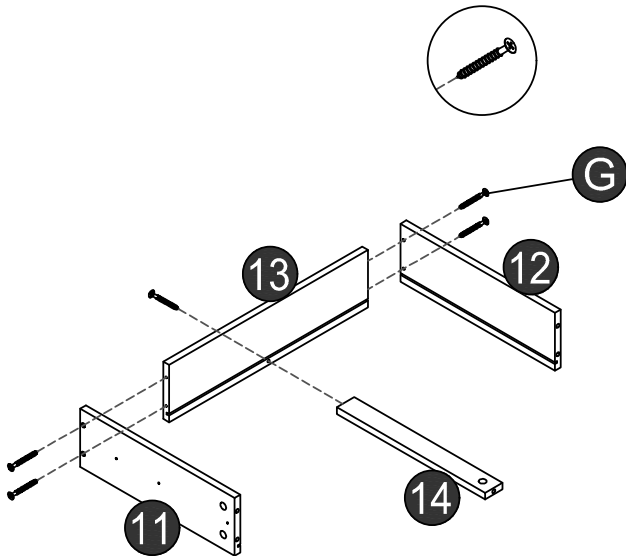
B x30 







x 3

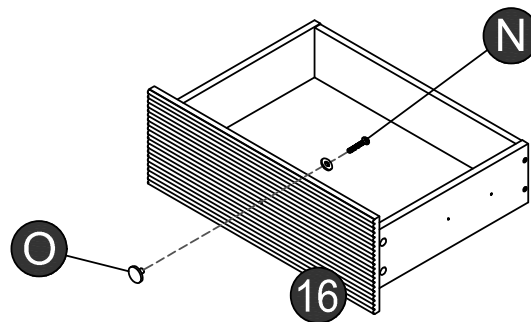
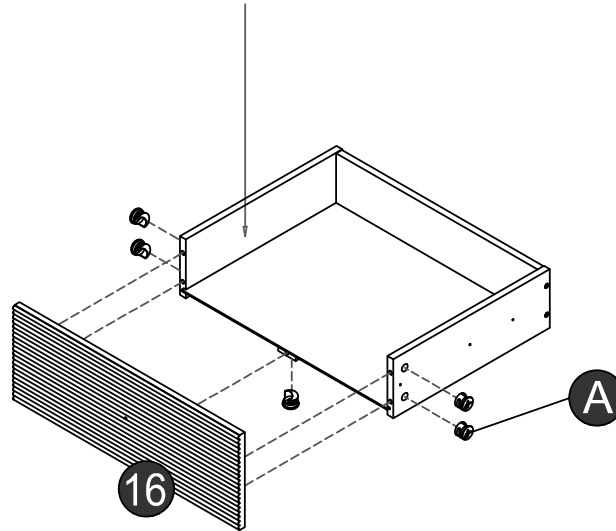
18

G x30 




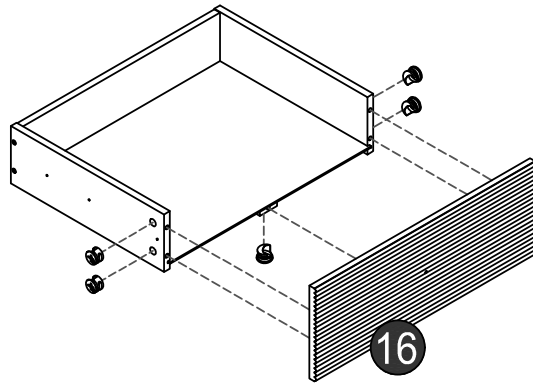
x 6

⚠ WARNING		⚠ AVERTISSEMENT	
	<p>Children have died from furniture tipover. To reduce the risk of furniture tipover:</p> <p>ALWAYS install Anti-tip device provided.</p> <p>NEVER put a TV on this product.</p> <p>NEVER allow children to stand, climb, or hang on drawers, doors or shelves.</p> <p>NEVER open more than one drawer at a time.</p> <p>DO NOT defeat or remove the drawer interlock system; it is an important stability and safety system.</p> <p>Place heaviest items in the lowest drawers.</p> <p><i>This is a permanent label. Do not remove!</i></p>		<p>Des enfants sont morts à cause d'un meuble qui s'est renversé. Pour réduire le risque de renversement:</p> <p>TOUJOURS installer le dispositif de retenue anti-basculement fourni.</p> <p>NE JAMAIS mettre un téléviseur sur ce produit.</p> <p>NE JAMAIS laisser les enfants se tenir debout, grimper ou s'accrocher aux tiroirs, aux portes ou aux étagères.</p> <p>NE JAMAIS ouvrir plus d'un tiroir à la fois.</p> <p>Ne pas vaincre ou retirer le système de verrouillage des tiroirs; il est important de système de stabilité et de sécurité.</p> <p>Placer les articles les plus lourds dans les tiroirs les plus bas.</p> <p><i>Il s'agit d'une étiquette permanente. Ne pas retirer!</i></p>
			



21

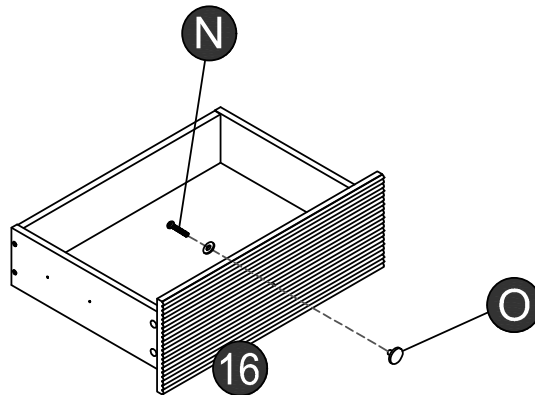
A x10 



x2

22

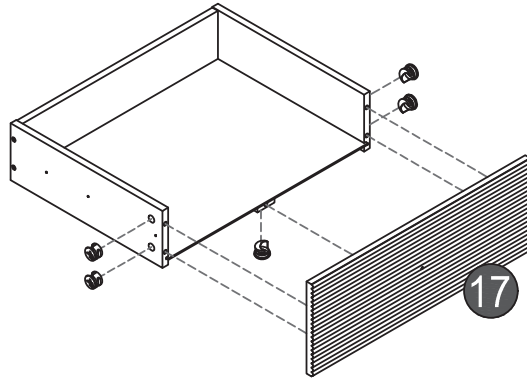
N x2   O x2 



x2

23

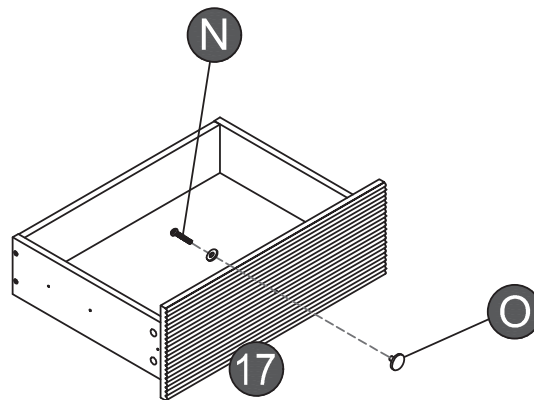
A x15



x 3

24

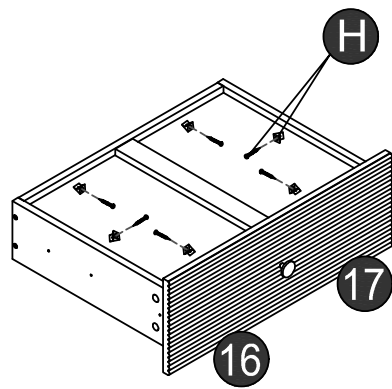
N x3   O x3 



x 3

25

H x36  

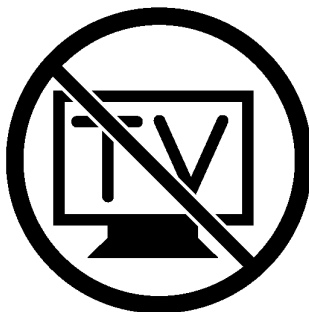


x6

Furniture Anti-Tipping Kit Installation



WARNING



**Children have died from furniture tipover.
To reduce the risk of furniture tipover:**

- ALWAYS install tipover restraint provided.
- NEVER put a TV on this product
- NEVER allow children to stand, climb, or hang on drawers, doors, or shelves.
- NEVER open more than one drawer at a time.
- Place heaviest items in the lowest drawers.

This is a permanent label. Do not remove!

Anti-Tipping Kit

V x4

5/8"
ø4x16



W x4

1-33/64"
ø7x38

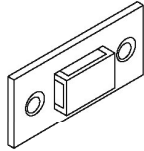


X x4

1-9/16"
ø4x40



Y x4

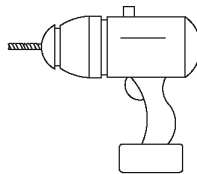
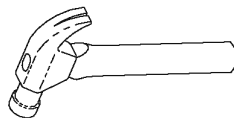
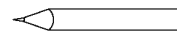
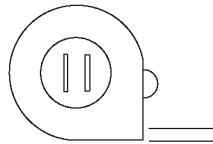
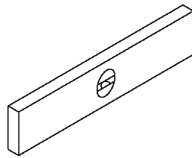


Z x2

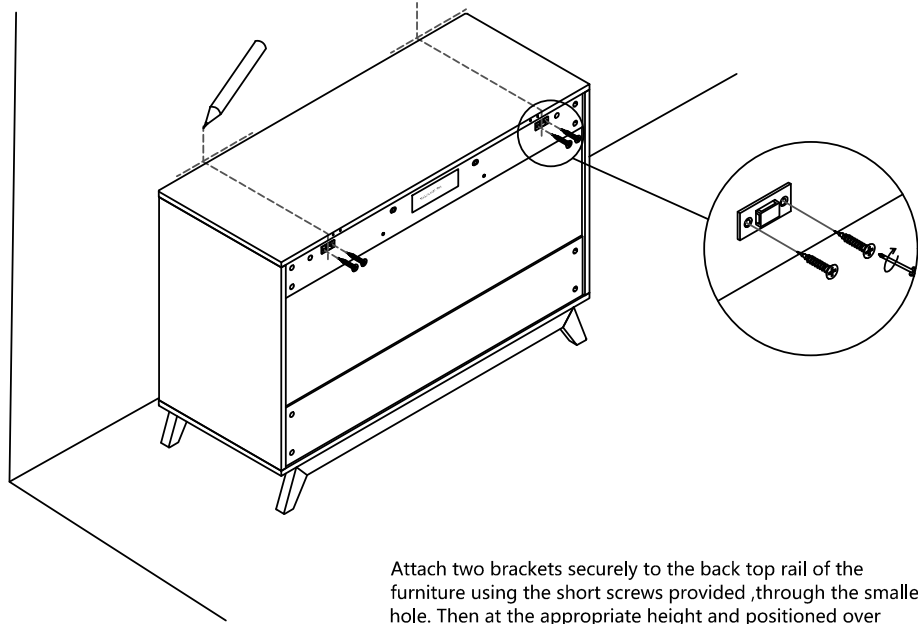


The hardware provided is for masonry or drywall without available wood stud. Please contact your local hardware store if you have questions regarding your wall material.

Tools Required for Assembly (not included)

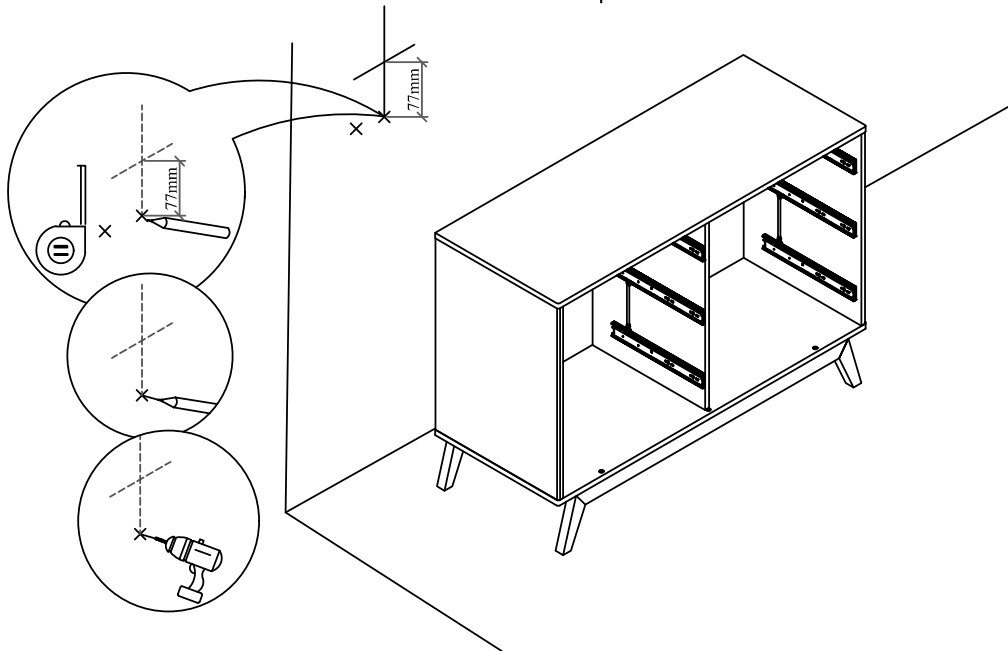


26



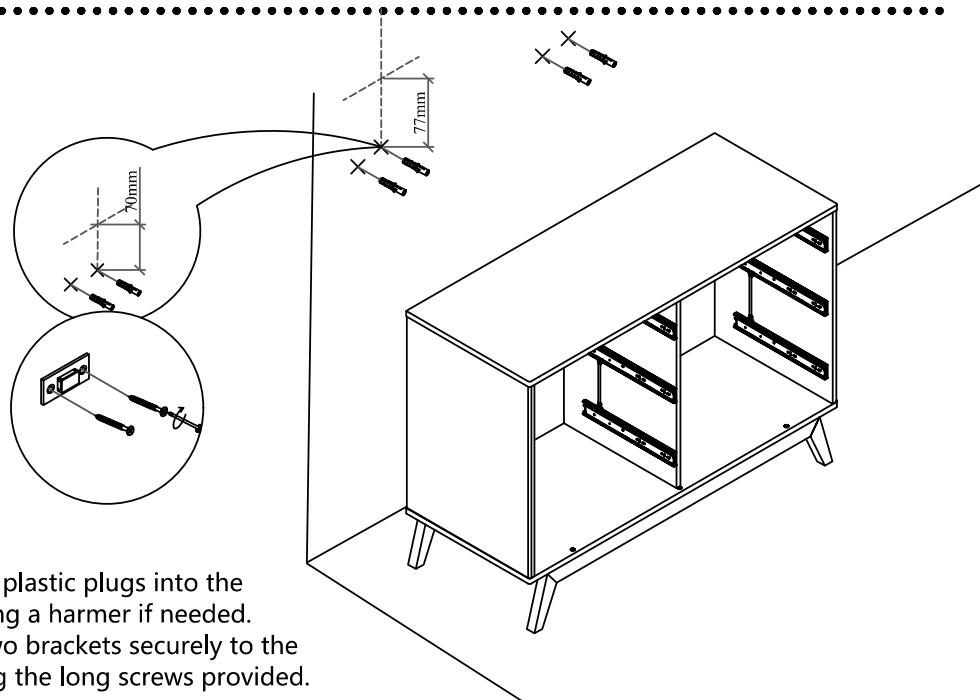
Attach two brackets securely to the back top rail of the furniture using the short screws provided, through the smaller hole. Then at the appropriate height and positioned over wood stud(s), make two marks with a pencil.

27



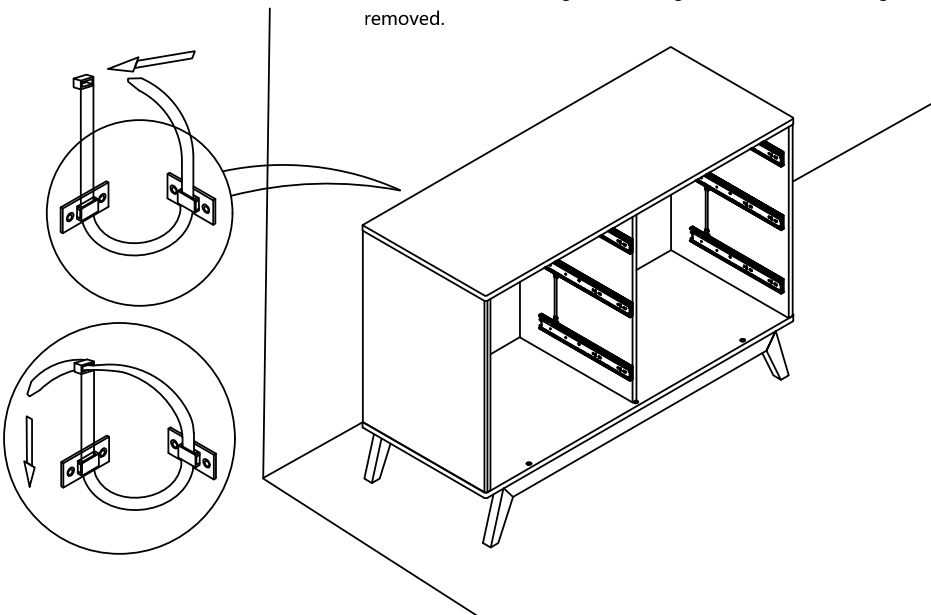
Drill two 5/16 inch (8mm) diameter holes through the wall at the height you marked with pencil

28



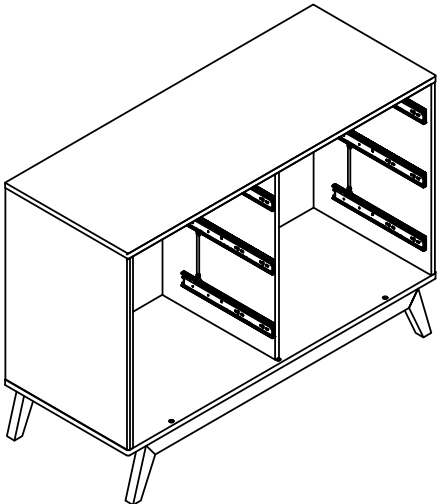
Drive the plastic plugs into the holes, using a hammer if needed. Attach two brackets securely to the wall using the long screws provided.

29



Move the furniture into its final position. Lace the end of the restraint strap through the larger hole in each mounting bracket. Bring both ends together and slide the flat end through the locking end and draw it through until all slack is removed.

Only remove one set of runners at a time

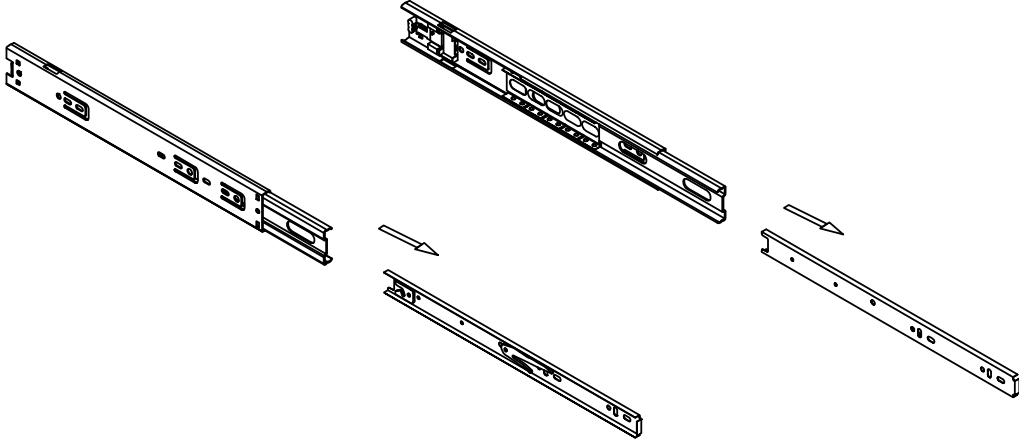
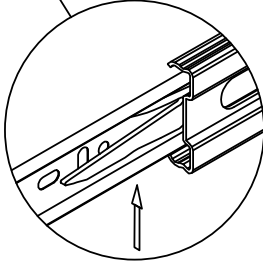
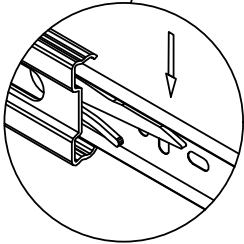


Left

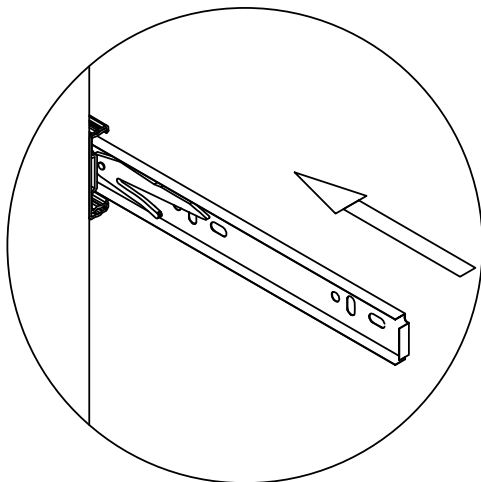
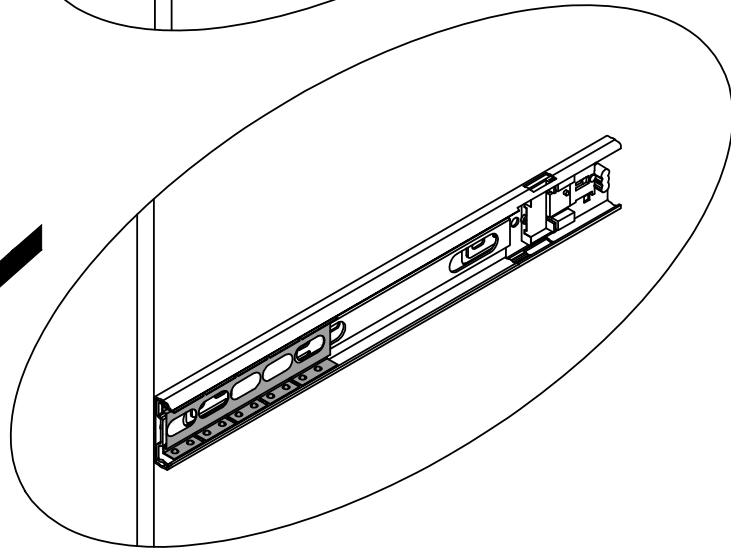
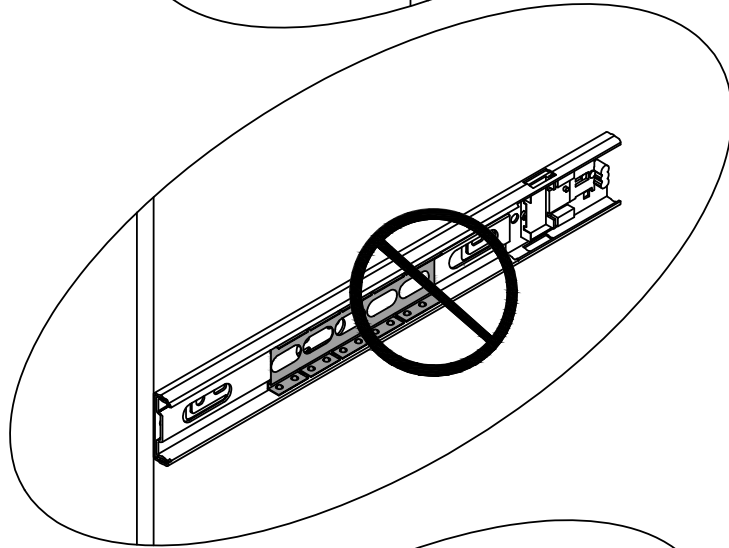
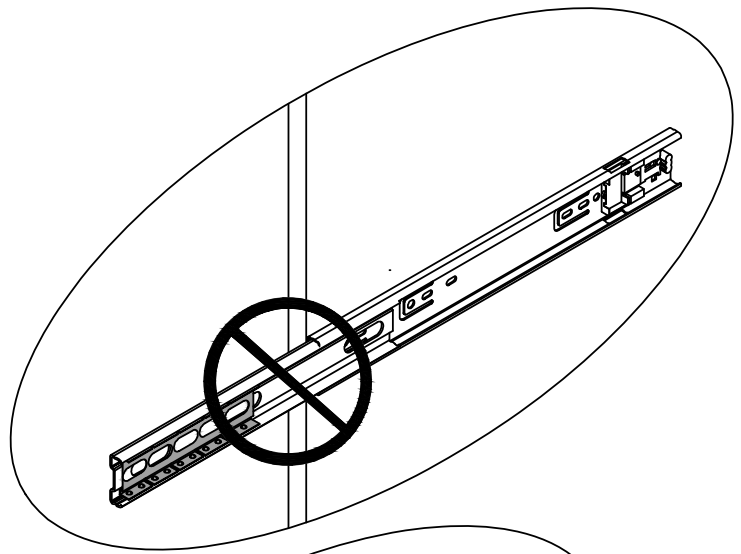
Right

Press lever on left glide down

Lift lever on right glide up




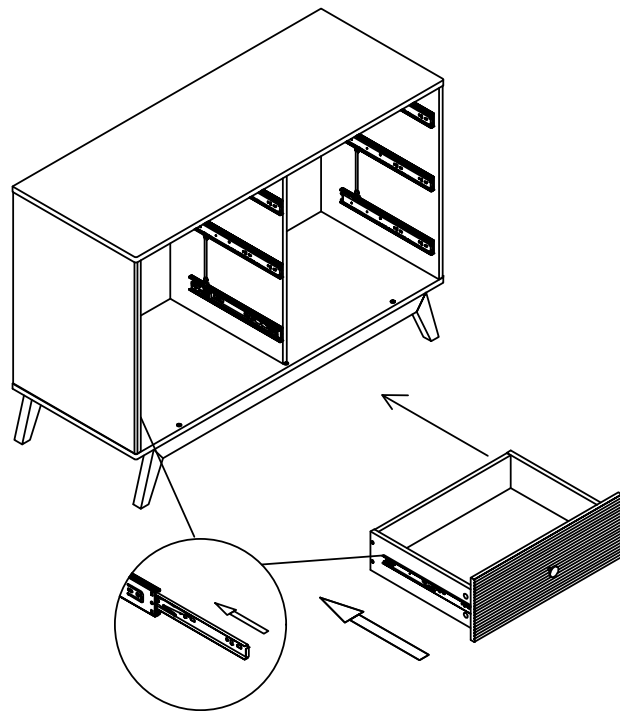
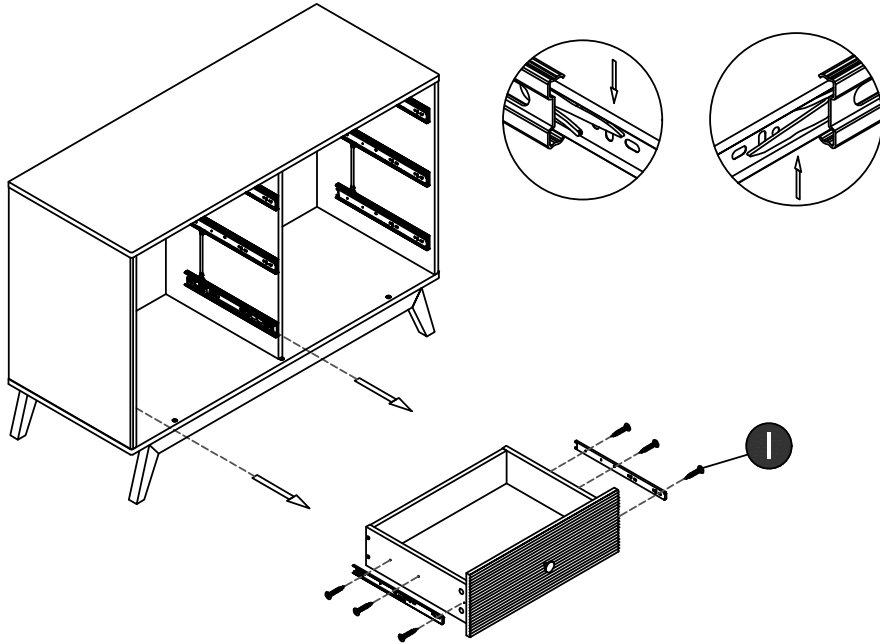
The silver portion of the glide must be pulled to the front of the glide when assembling the drawer into the case.




To insert drawer align male runner on drawer to female runner on case and push all the way in

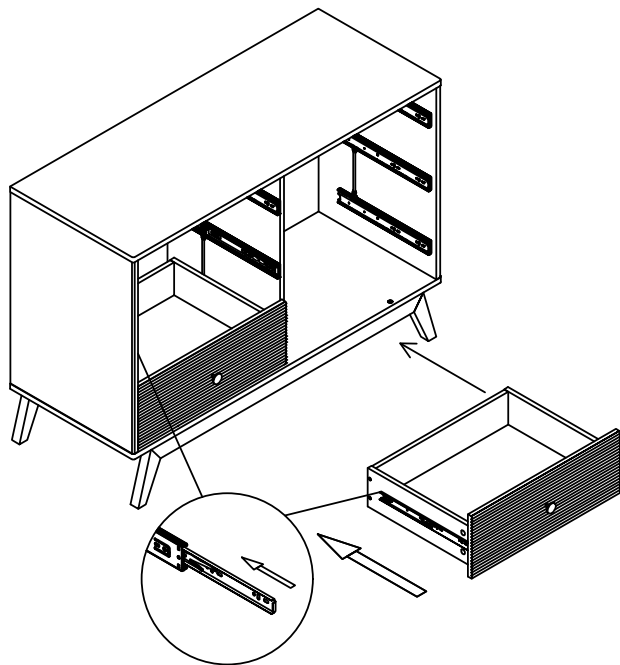
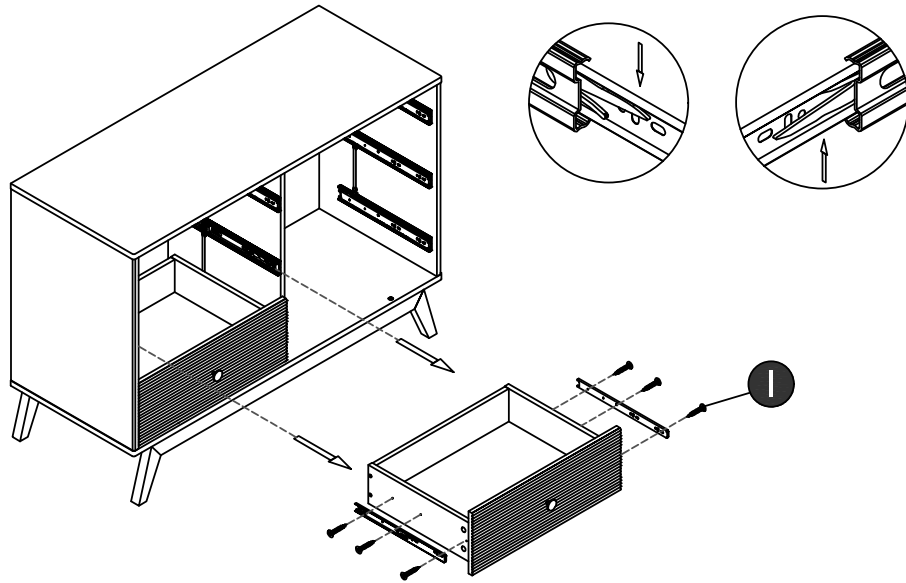
30

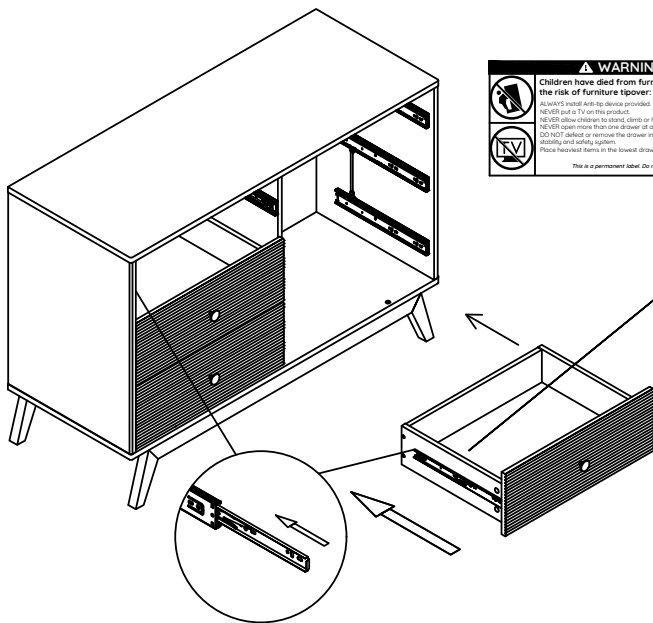
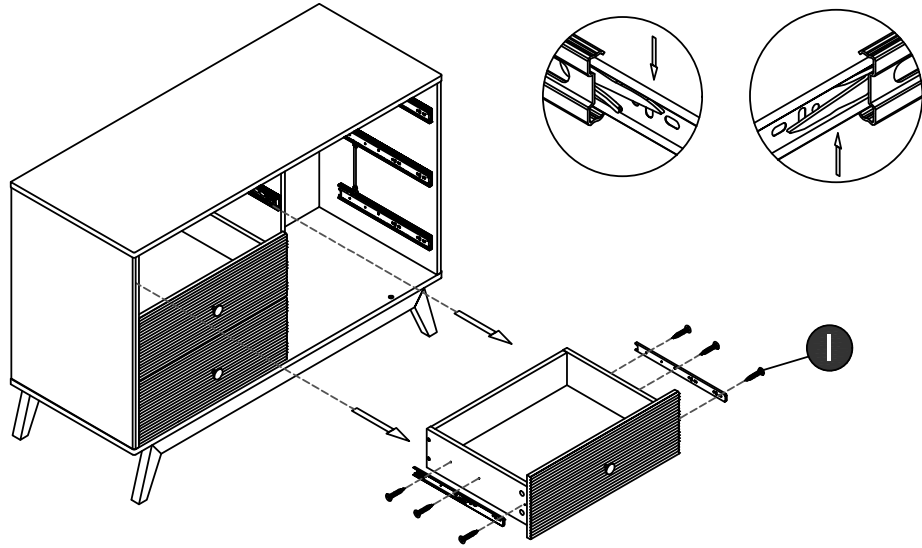
1 x6 



31


I x6 

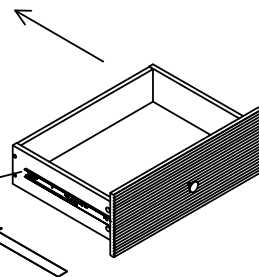
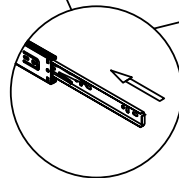
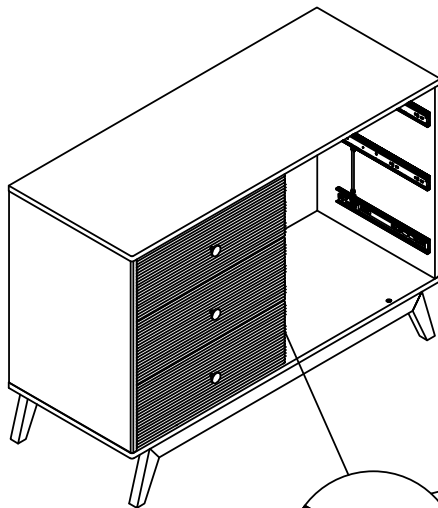
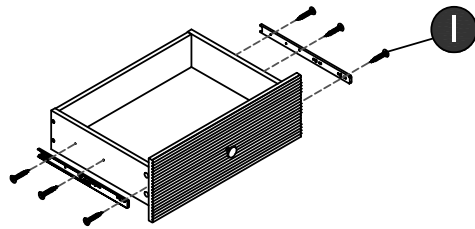
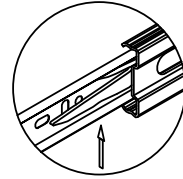
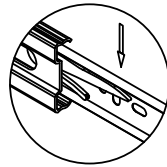
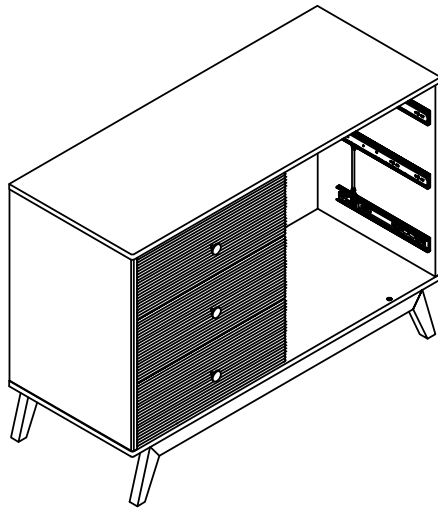





⚠ WARNING		⚠ AVERTISSEMENT	
<p>Children have died from furniture tipover. To reduce the risk of furniture tipover:</p> <ul style="list-style-type: none"> ALWAYS install Anti-tip device provided. NEVER pull or try on this product. NEVER allow children to stand, climb or hang on drawers, doors or shelves. NEVER open more than one drawer at a time. DO NOT detach or remove the drawer interlock system; it is an important safety and safety system. Place newborn items on the lowest drawers. <p><small>This is a permanent label. Do not remove!</small></p>		<p>Des enfants sont morts à cause d'un meuble qui s'est renversé. Pour réduire le risque de renversement:</p> <p>TOUTJOURS installer le dispositif de retenue anti-déplacement fourni.</p> <ul style="list-style-type: none"> NE JAMAIS mettre un bébé sur ce produit. NE JAMAIS laisser les enfants se tenir debout, grimper ou s'accrocher aux tiroirs, aux portes ou aux étagères. NE JAMAIS ouvrir plus d'un tiroir à la fois. N'ouvrez jamais plus d'un tiroir à la fois. Ne retirez jamais le système de verrouillage des tiroirs; il est important du système de stabilité et de sécurité. Placer les articles les plus lourds dans les tiroirs les plus bas. <p><small>Il s'agit d'une étiquette permanente. Ne pas retirer!</small></p>	

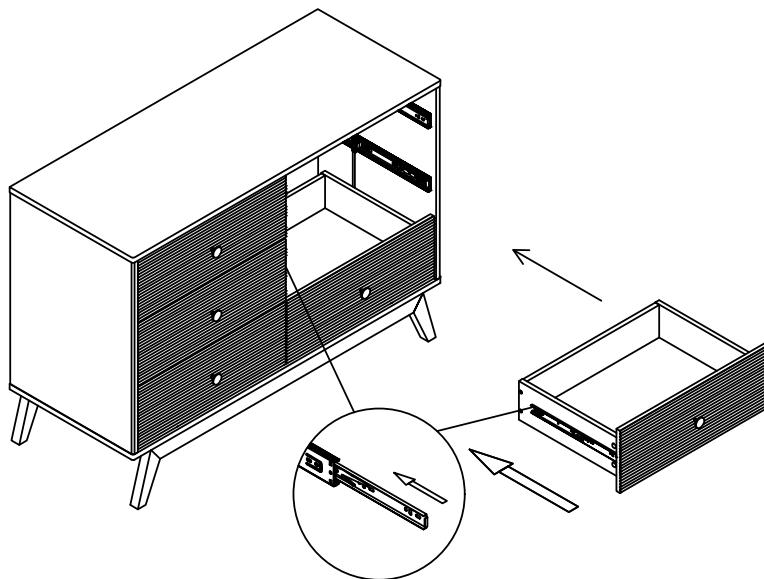
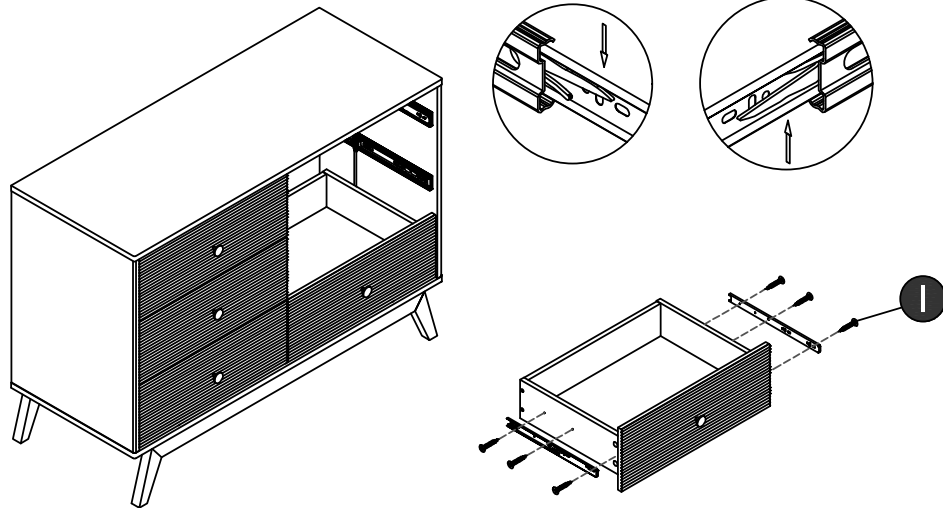
33

I x6 




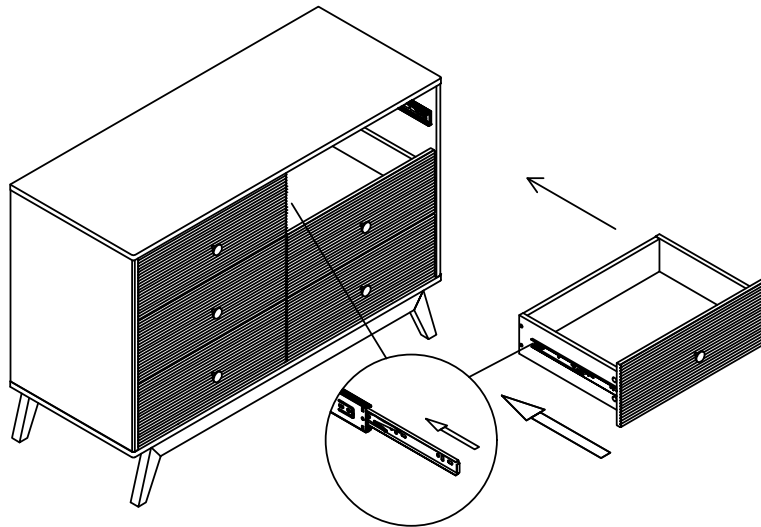
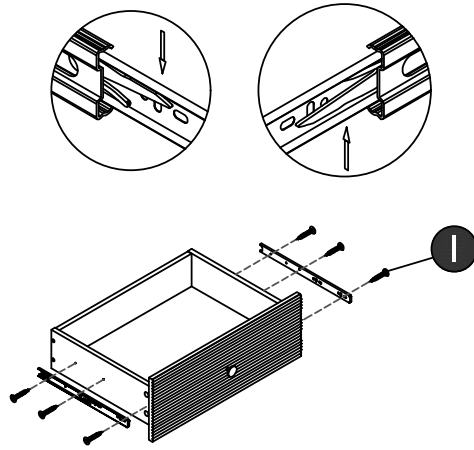
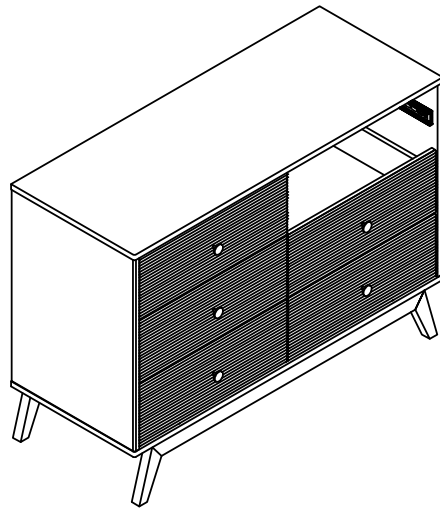
34

1 x6 

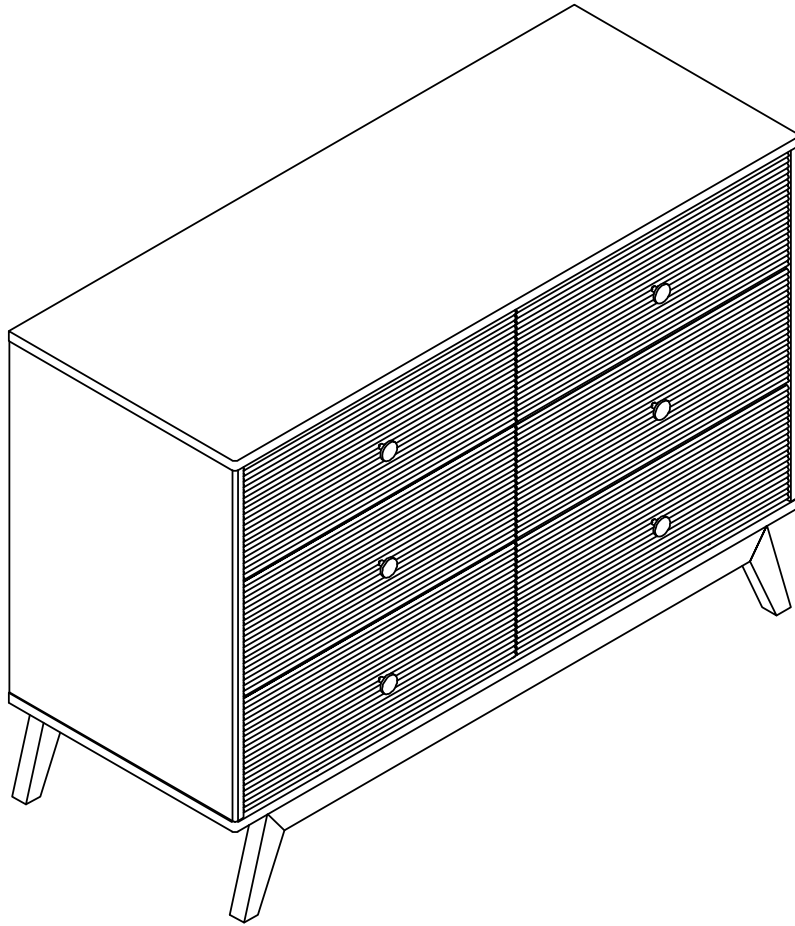


35

1 x6 



Finish



Thank you

for choosing dadada Baby

We hope you enjoy your new product. We would love to hear about your baby's first moments.

Be sure to tag @dadadababyusa and use #dadadamoments

If there is anything we can improve upon, we would love to know!
You can reach out to our team directly

Website: dadadababy.com

Phone number: (800) 722-5798

Email address: service@dadadababy.com

Care / Cleaning / Maintenance

- Regular care, cleaning, and maintenance will extend the life of your furniture.
- Furniture should not be exposed to direct sunlight, extreme temperatures, or moisture, as this can result in irreparable damage.
- In case of water splashes, remove water immediately and wipe.
- If cleaning is needed, use only a soft, clean cloth, lightly dampened with water.
- Never use abrasive agents or solvents.
- Do not scrub, scratch, or chip the finish.
- Limits of warranty: The use of cleaning agents such as chemicals, scouring powders, or other aggressive formulas can damage the furniture and will void the warranty.

Limited Warranty

- We guarantee this product for a period of 1 year from date of purchase.
- The warranty covers any product failure which may occur due to manufacturing fault.
- The warranty does NOT include normal wear and tear, or parts that are damaged due to incorrect installation and assembly, misuse, or neglect.
- The specific legal rights of this warranty may vary from state to state.
- Some states do not allow any exclusion or limitation of incidental damages.
- Some states do not allow limitation on how long an implied warranty lasts.



1-YEAR WARRANTY



Customer Service

For any missing or faulty parts:

Please re-check your packaging to ensure that parts are missing, then contact our Customer Care team using the contact info below.

Our Care team will need the following information:

- Copy of your receipt
- Model number of the unit purchased
- Description/part number of the missing or faulty part
- Quantity of the parts needed

dadada Customer Care team contact information:

Website: dadadababy.com

Phone number: (800) 722-5798

Email address: service@dadadababy.com

follow us on instagram

@dadadababyusa

