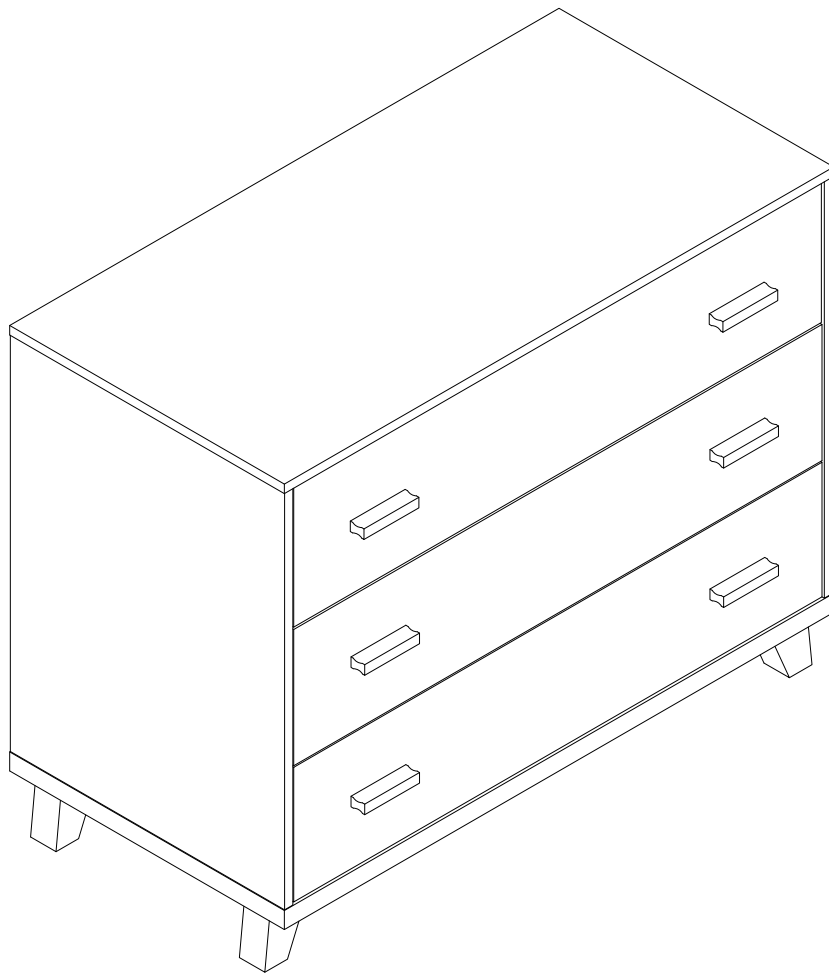


# dada:

## BROOKLYN

DRESSER



# Brooklyn Dresser - Assembly Instruction

---

- Thank you for purchasing our product. Please follow these assembly instructions as it will save you time, make assembly easier and prevent possible damage to your new furniture item.
- We strongly recommend that this unit is assembled on a soft surface such as carpet or blanket.
- When moving this furniture item, always carry the unit. Dragging or sliding the unit could damage the unit and the floor surface.



**CAUTION**

---

- READ ALL INSTRUCTIONS BEFORE USE OF THIS PRODUCT.
- KEEP THE INSTRUCTIONS FOR FUTURE USE.
- NEVER PUT BABY ON THE TOP WITHOUT CHANGING TRAY.

# Your baby's first dresser

---

**dadada:**



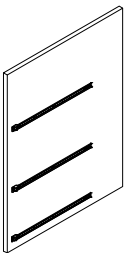
Before you start to assemble, we highly recommend watching our assembly instructions video or go to our website: [dadadababy.com](http://dadadababy.com)

# Part List

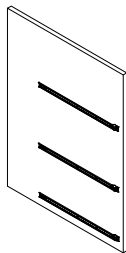
---

Please check all the parts be listed here before assembling.  
For all missing or faulty parts: please contact the store you purchased the item from.  
(See the last page on this instruction book.)

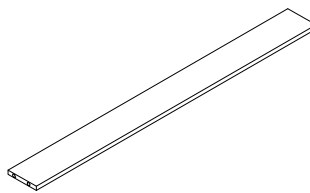
1 x1



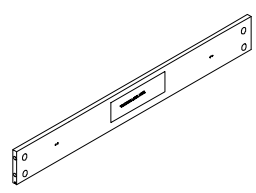
2 x1



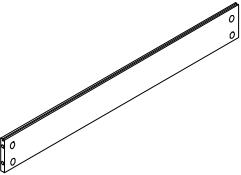
3 x1



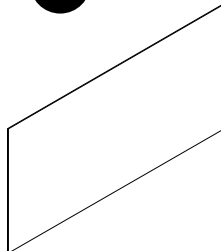
4 x1



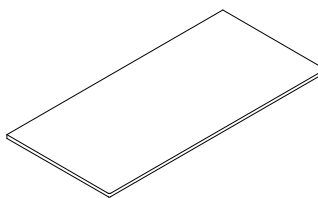
5 x1



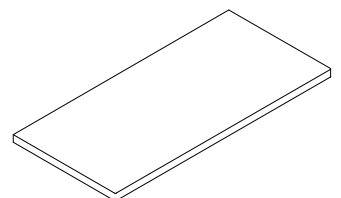
6 x1



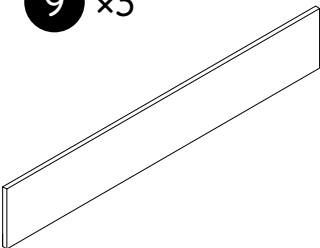
7 x1



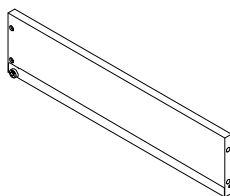
8 x1



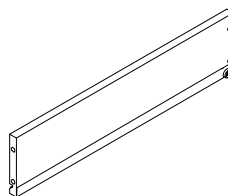
9 x3



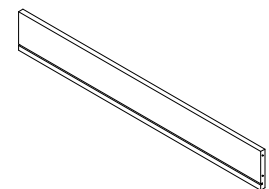
10 x3



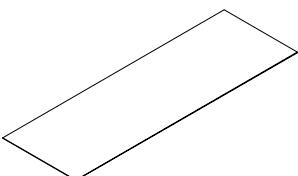
11 x3



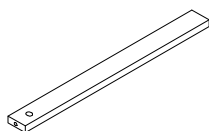
12 x3



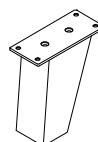
13 x3



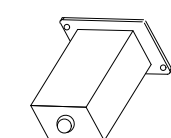
14 x3



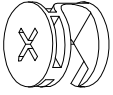
15 x4



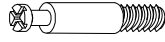
16 x1



**A** x39

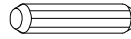


**B** x39



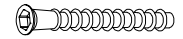
**C** x8

ø8x30



**D** x4

ø7x48



**E** x1

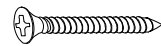
M4



**F** x15

1-9/16"

ø4x40



**G** x20

5/8"

ø4x16



**H** x12

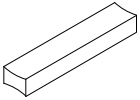
1-3/16"

ø4x30



**I** x6

Handle



### Extra fittings:

**A** +3 Extra

**B** +3 Extra

**C** +3 Extra

**D** +2 Extra

**F** +3 Extra

**G** +3 Extra

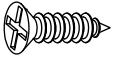
**H** +3 Extra

# Anti-Tipping Kit

---

**V** x4

5/8"  
ø4x16



**W** x4

1-33/64"  
ø7x38

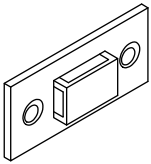


**X** x4

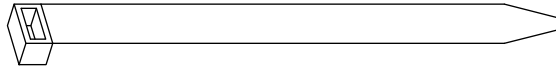
1-9/16"  
ø4x40



**Y** x4



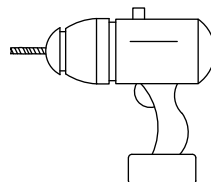
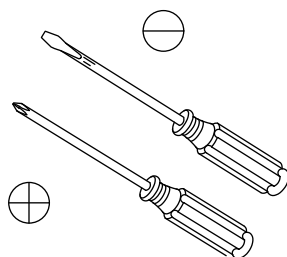
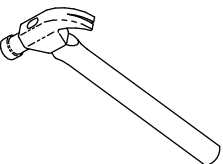
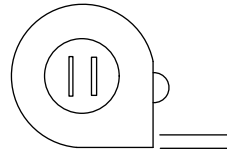
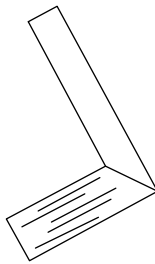
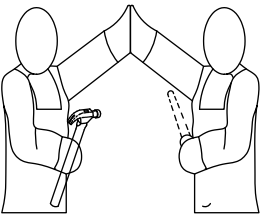
**Z** x2



# Tools Requirements

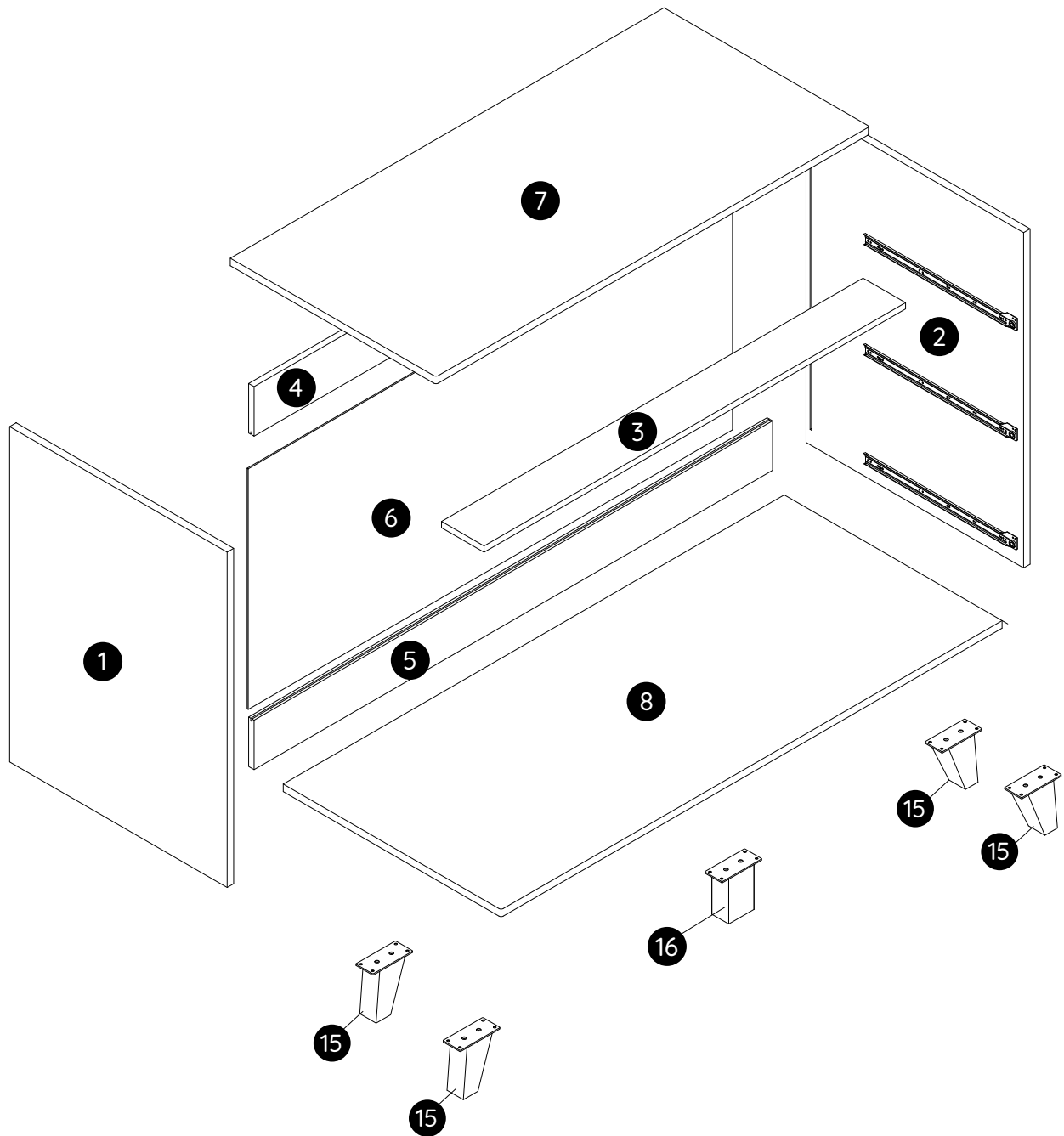
---

Images for illustration only



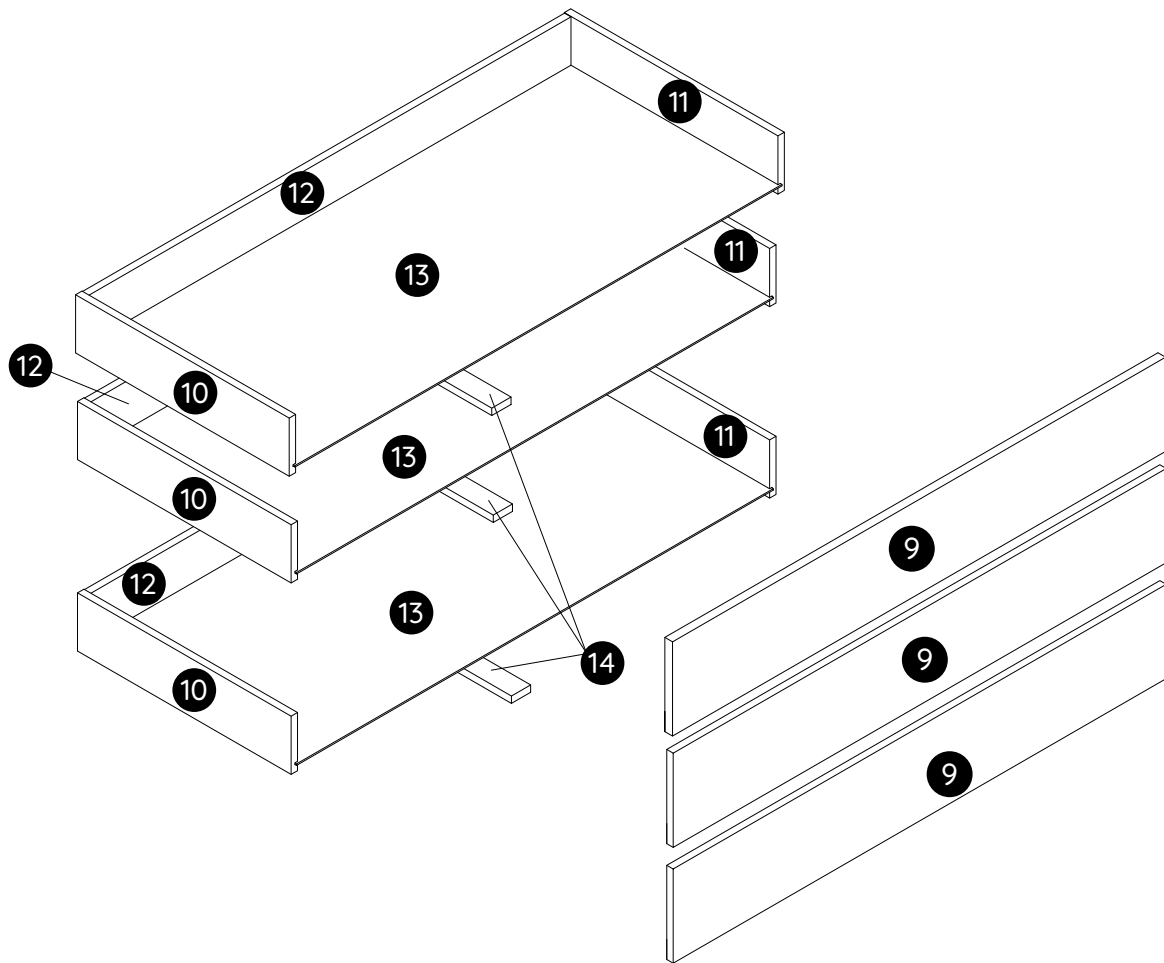
# Overview

---




# Overview

---

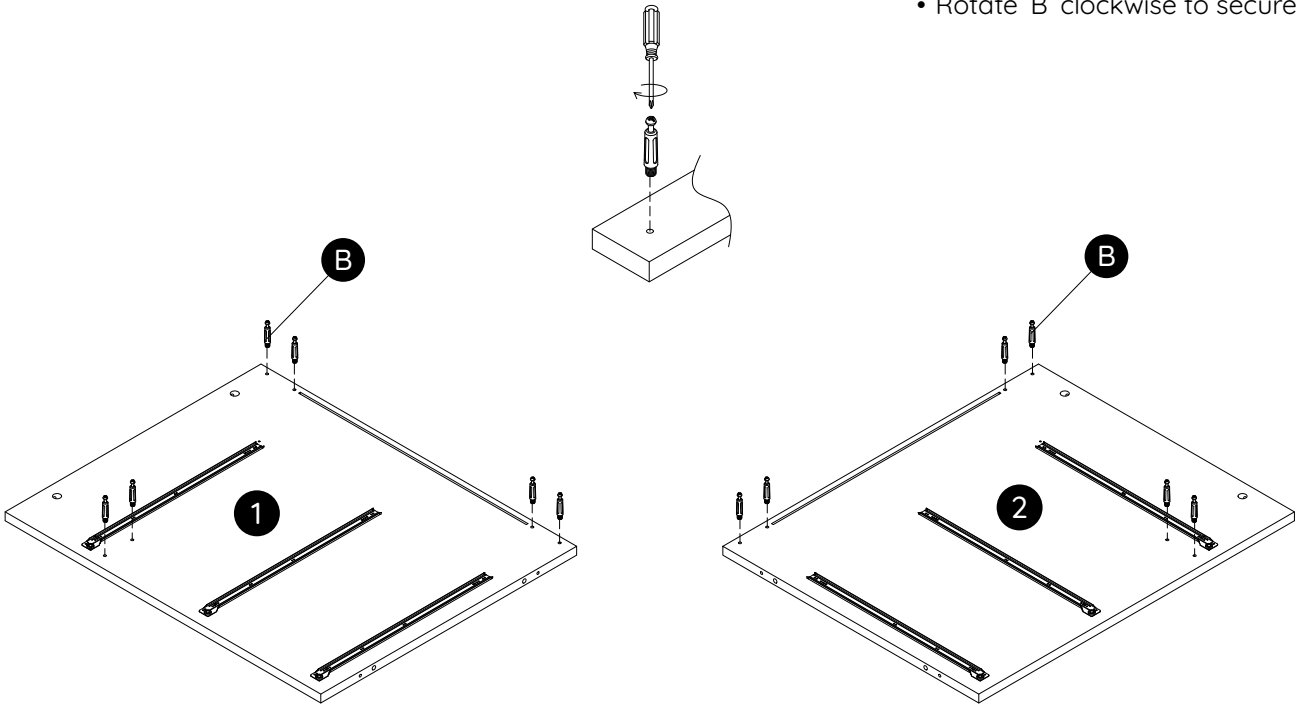




1

B x 12 

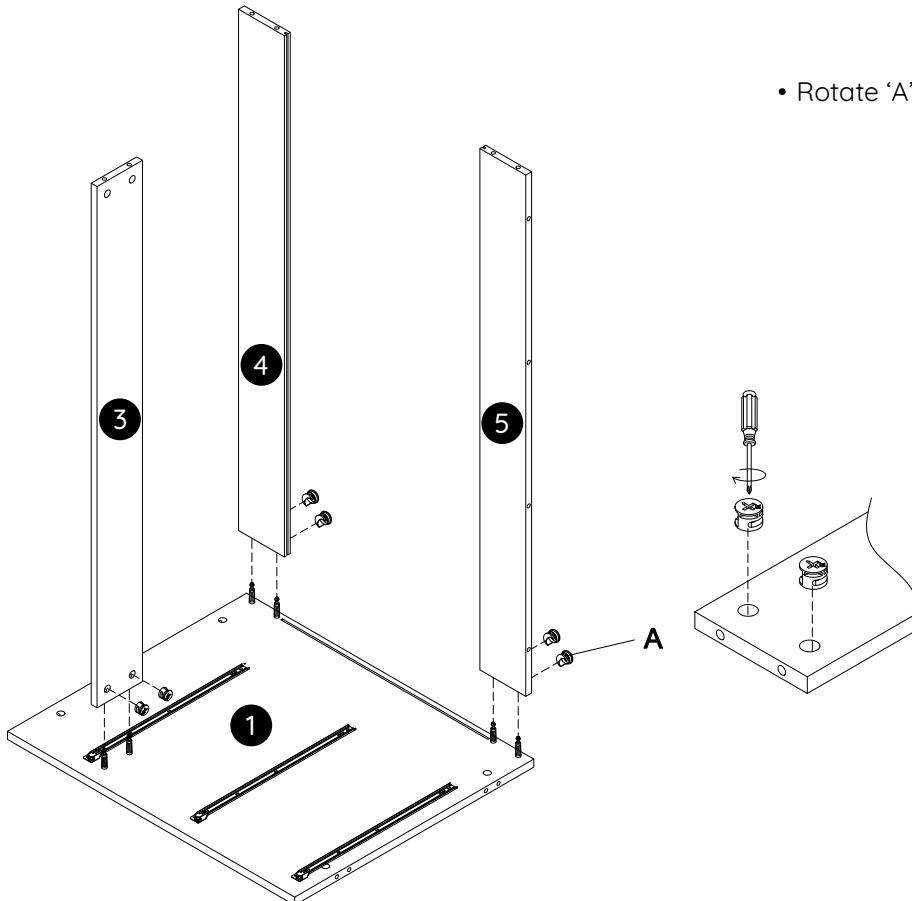
• Rotate 'B' clockwise to secure



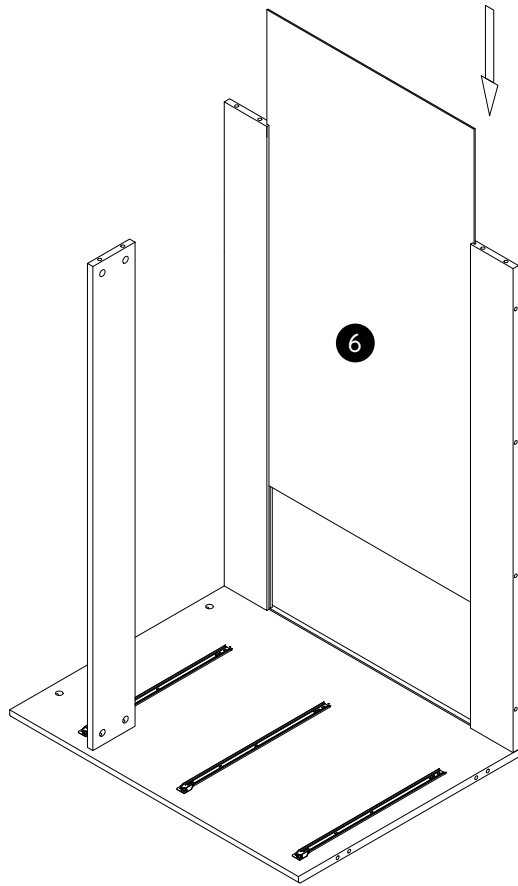
2

A x 6 


• Rotate 'A' clockwise to secure.

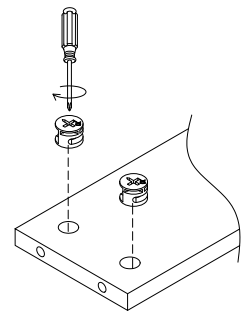
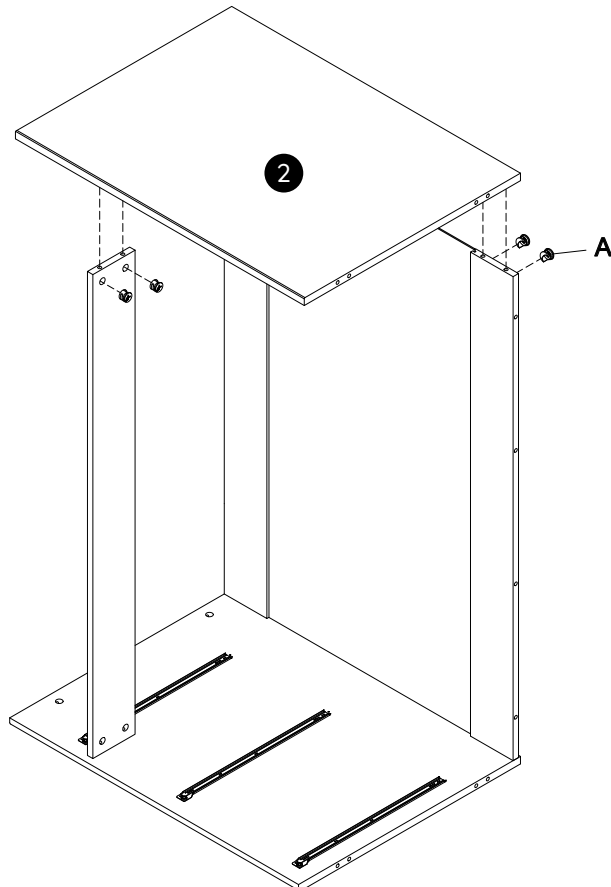


3



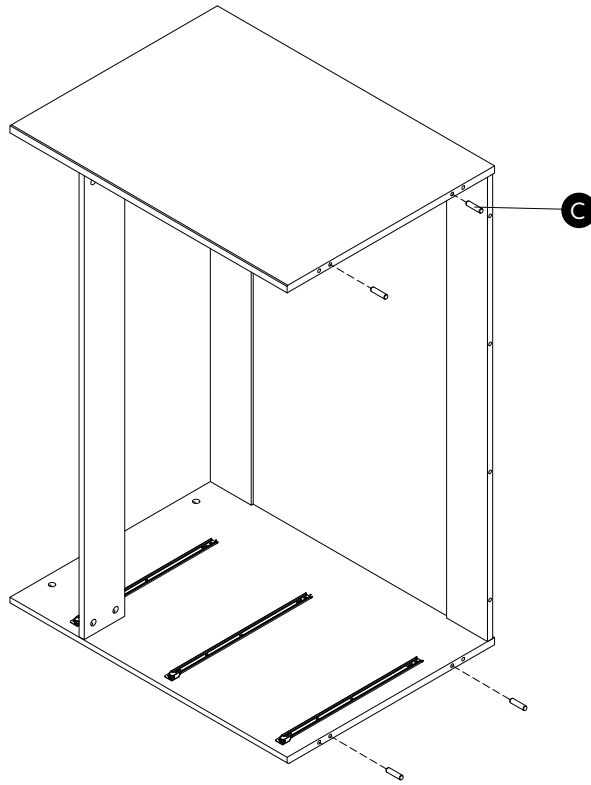
4

A x 6 



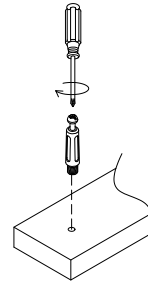
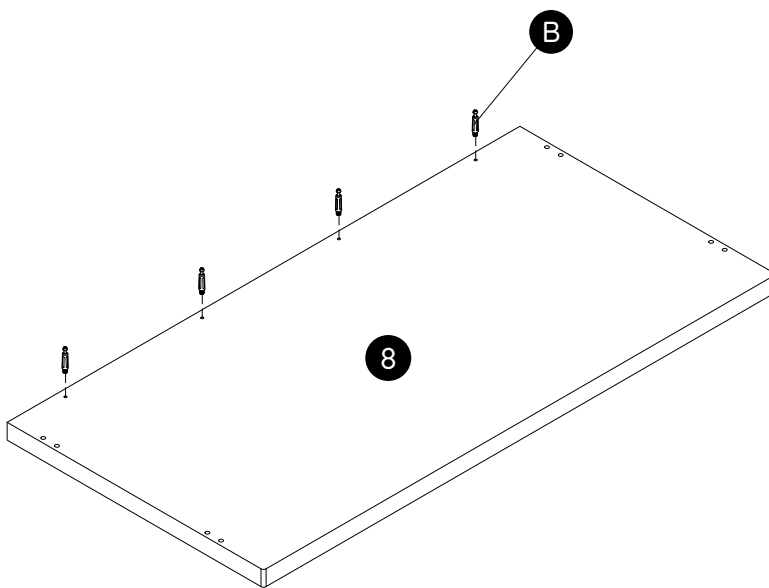
5

C x 4 




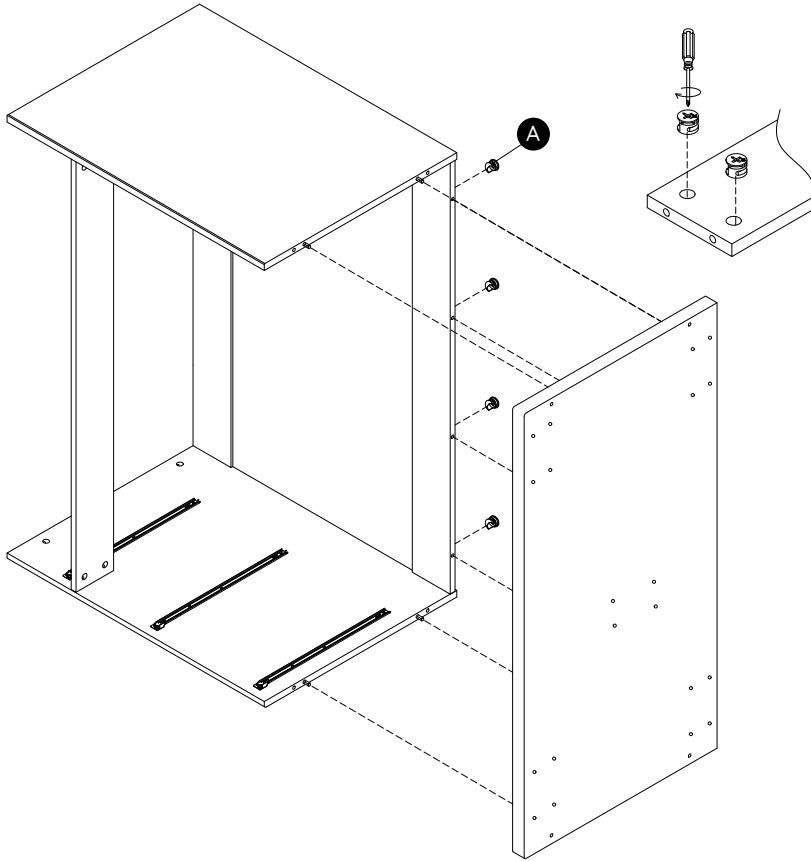
6

B x 4 

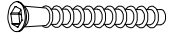


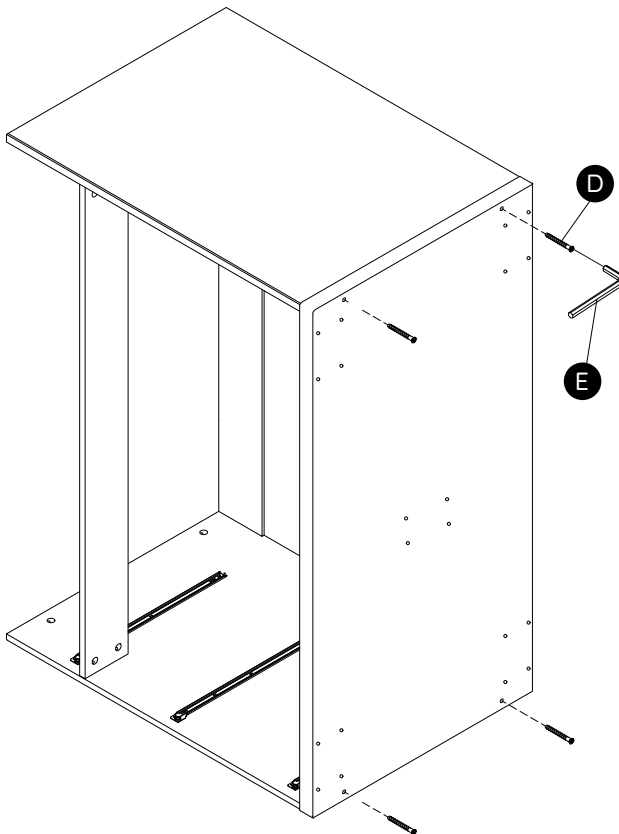
7

A x 4 



8

D x 4 

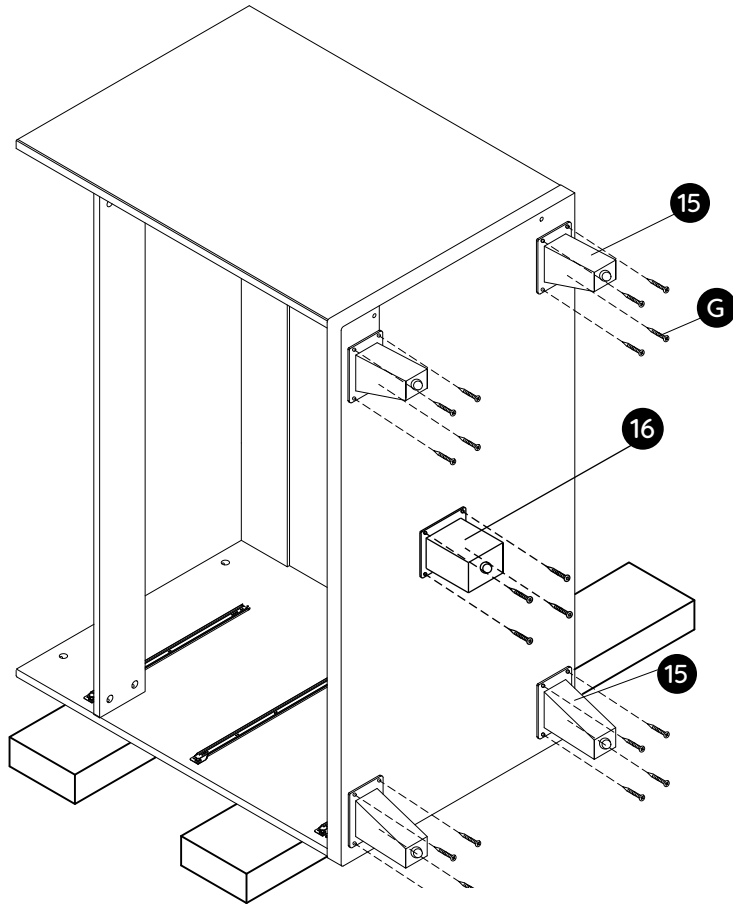


• Tighten D' clockwise with 'E'.

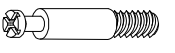
9

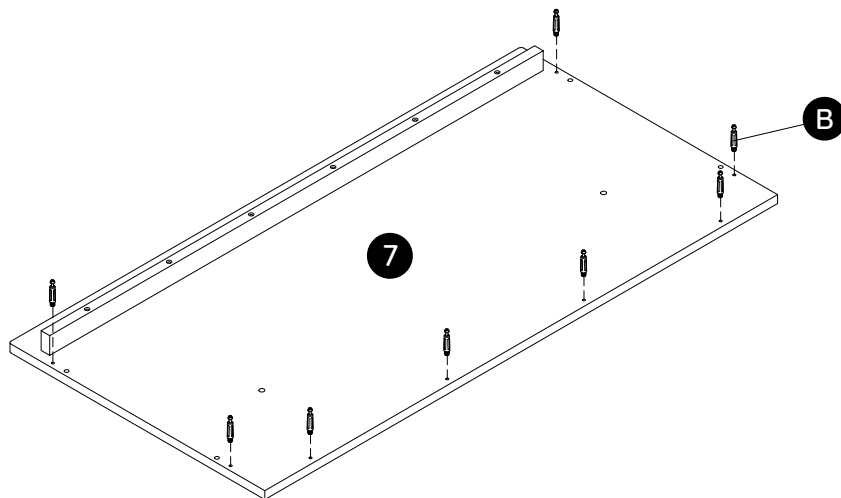
G x 20 

.....  
Put two pieces of foam under the dresser to raise it for easier assembling.




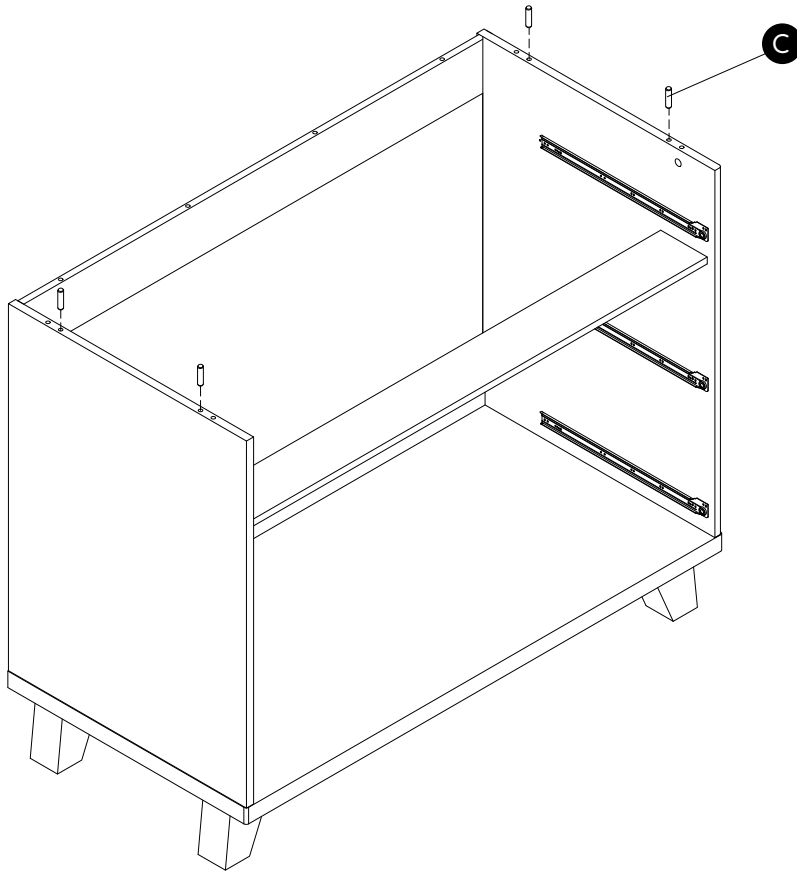
10

B x 8 




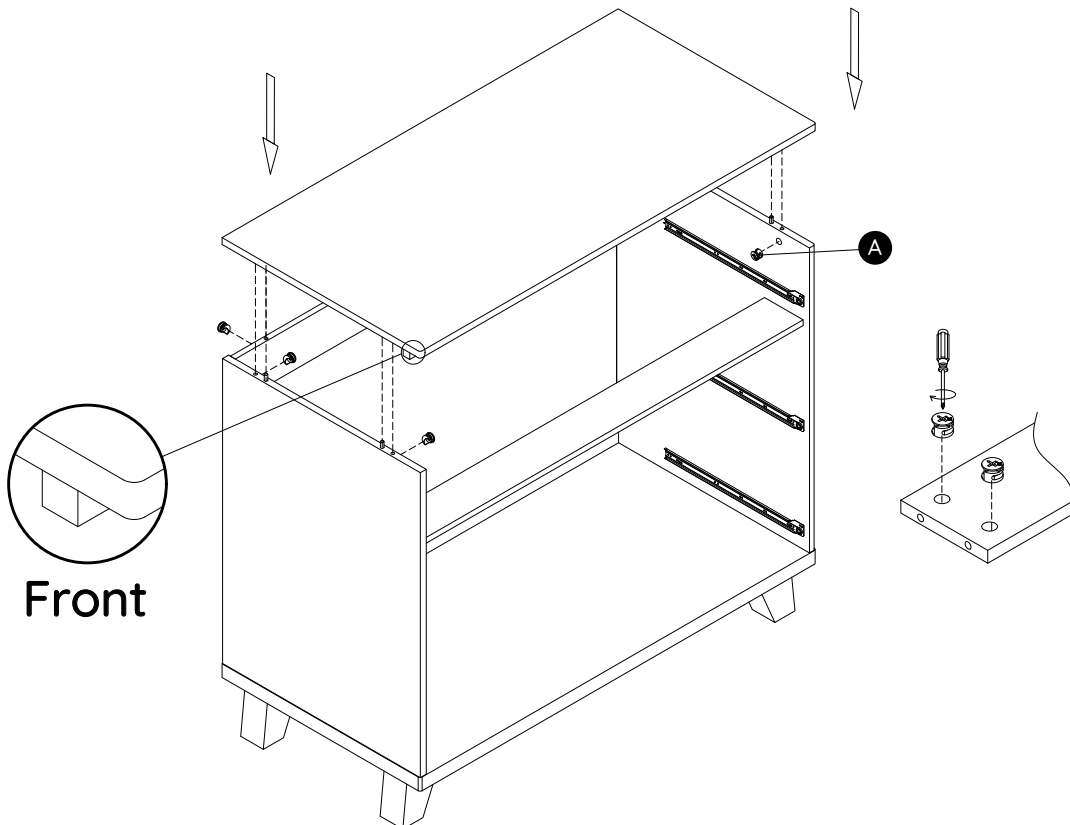
11

C x 4 

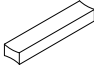


12


A x 8 

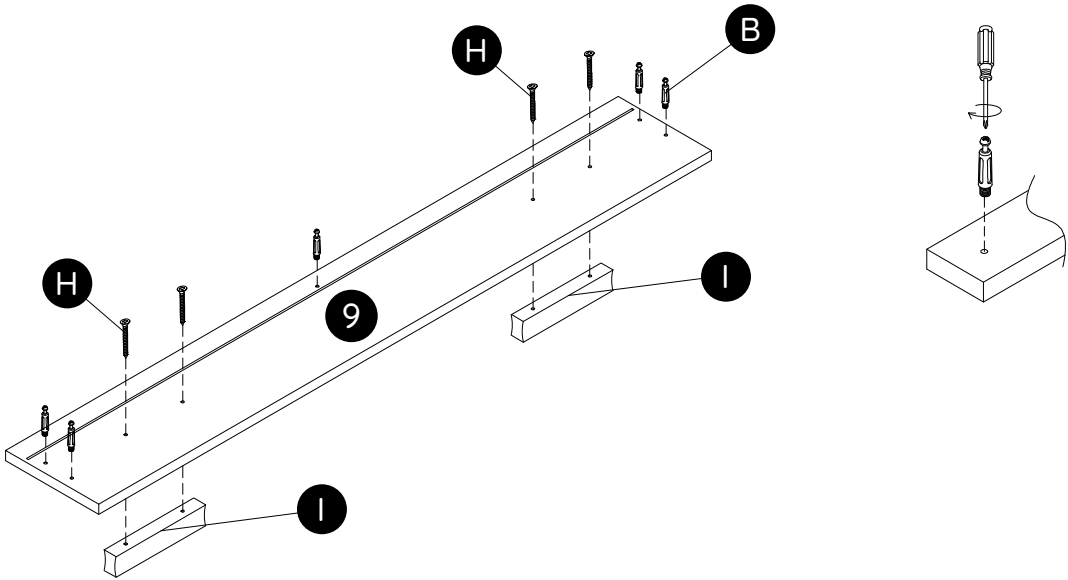


13

I x 6 

H x 12 

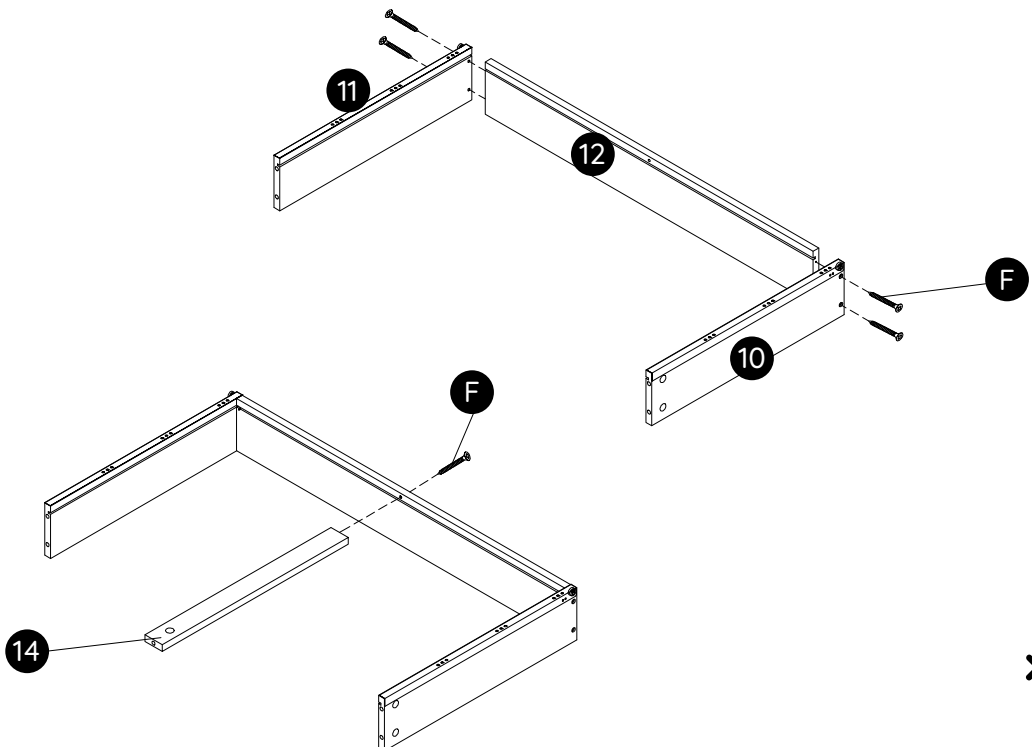
B x 15 



x3


14

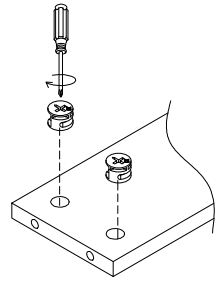
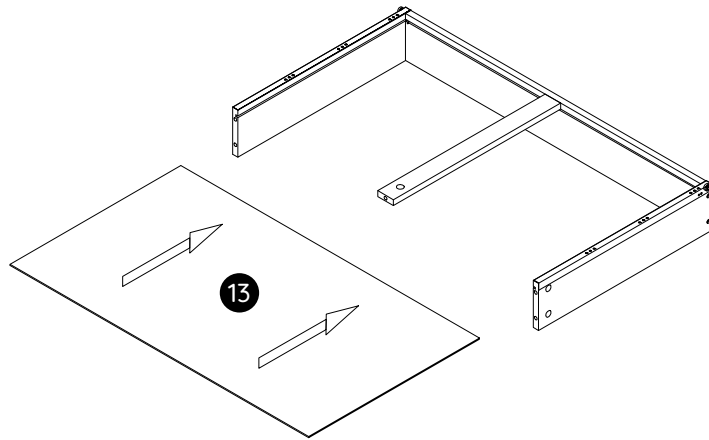
F x 15 



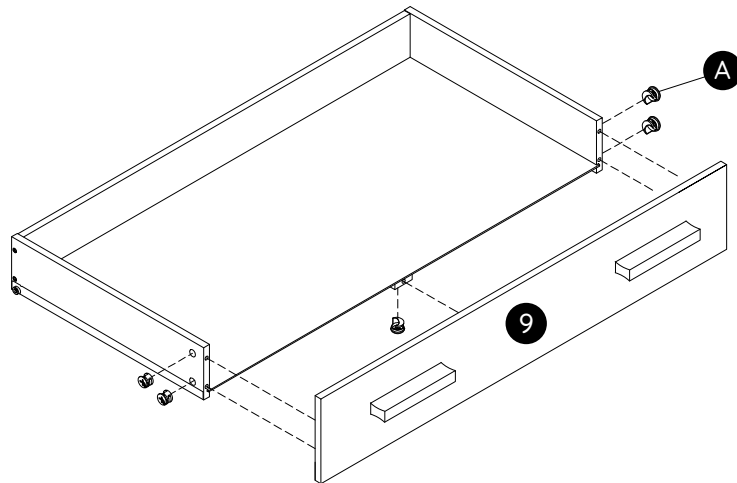
x3

15

A x 15 



x3



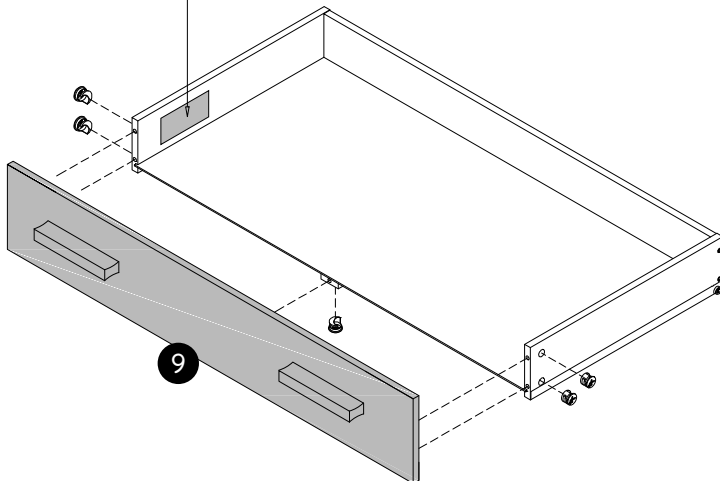
x2

**WARNING**

Children have died from furniture tipover. To reduce the risk of furniture tipover:

- ALWAYS install tipover restraint provided.
- NEVER put a TV on this product.
- NEVER allow children to stand, climb or hang on drawers, doors, or shelves.
- NEVER open more than one drawer at a time.
- Place heaviest items in the lowest drawers.

*This is a permanent label. Do not remove!*



x1



# Furniture Anti-Tipping Kit Installation

---



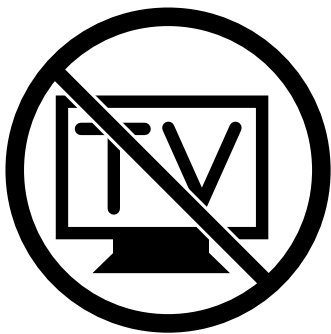
## WARNING

---



**Children have died from furniture tipover. To reduce the risk of furniture tipover:**

- ALWAYS install tipover restraint provided.
- NEVER put a TV on this product.
- NEVER allow children to stand, climb or hang on drawers, doors, or shelves.
- NEVER open more than one drawer at a time.
- Place heaviest items in the lowest drawers.



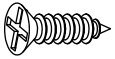
**This is a permanent label.  
Do not remove!**

# Anti-Tipping Kit

---

**V** x4

5/8"  
ø4x16



**W** x4

1-33/64"  
ø7x38

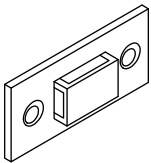


**X** x4

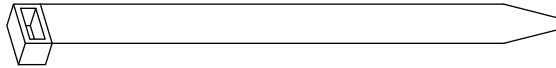
1-9/16"  
ø4x40



**Y** x4



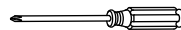
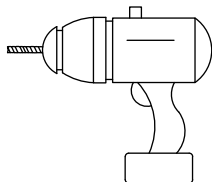
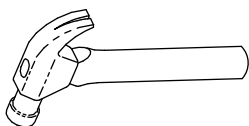
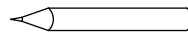
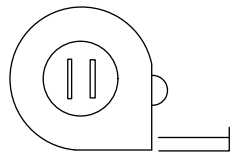
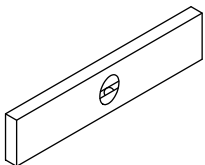
**Z** x2



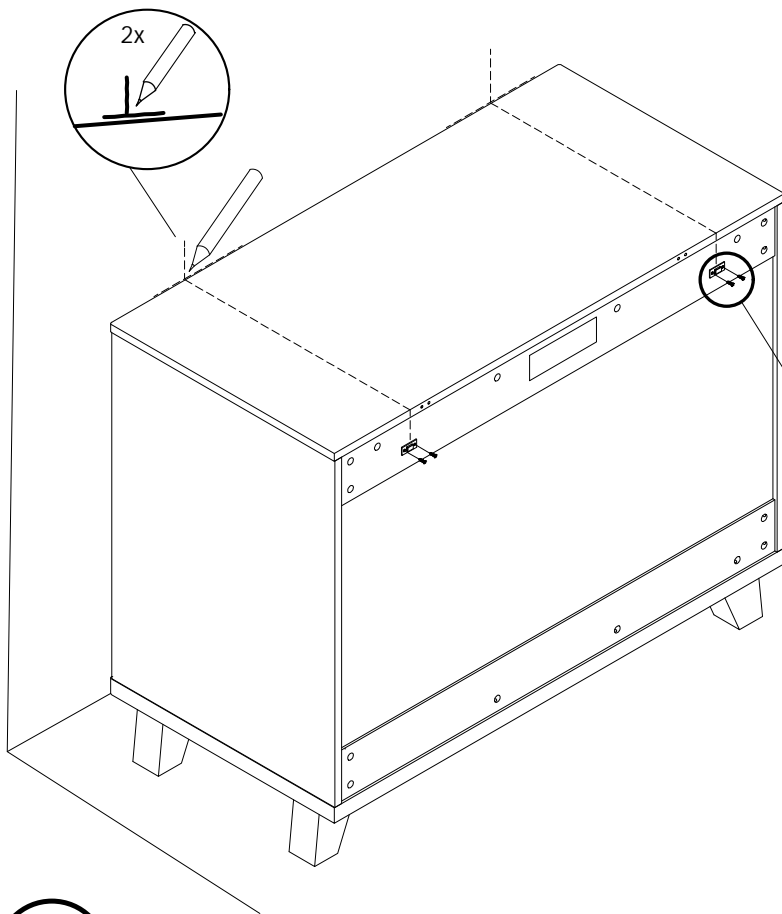
Please make sure the screws in the kit fit your wall material. The hardware we provided is only for masonry or drywall without available wood stud. If you have any questions, consult your local hardware store.

## Tools Requirements

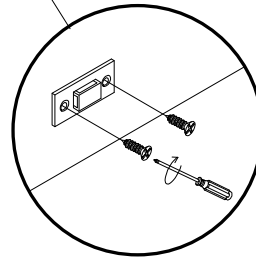
---



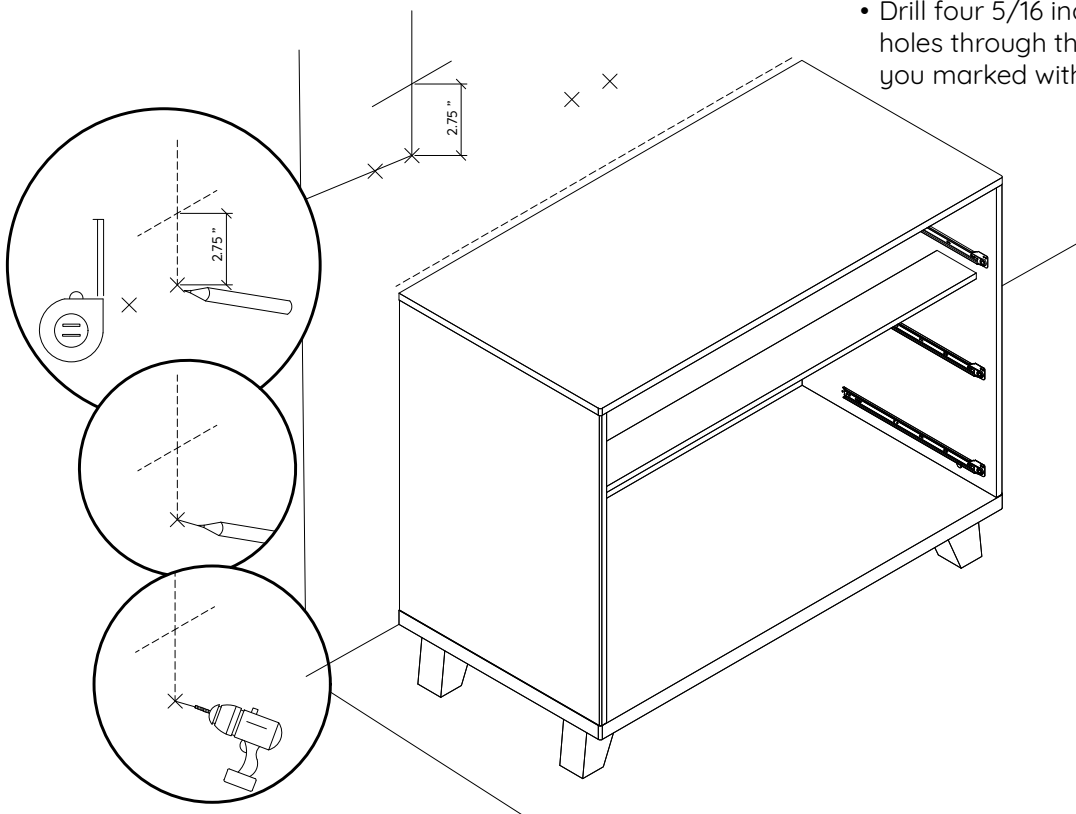
16



- Attach two brackets securely to the back top rail of the furniture using the short screws provided ,through the smaller hole.
- Then at the appropriate height and positioned over wood stud(s),make two marks with a pencil.

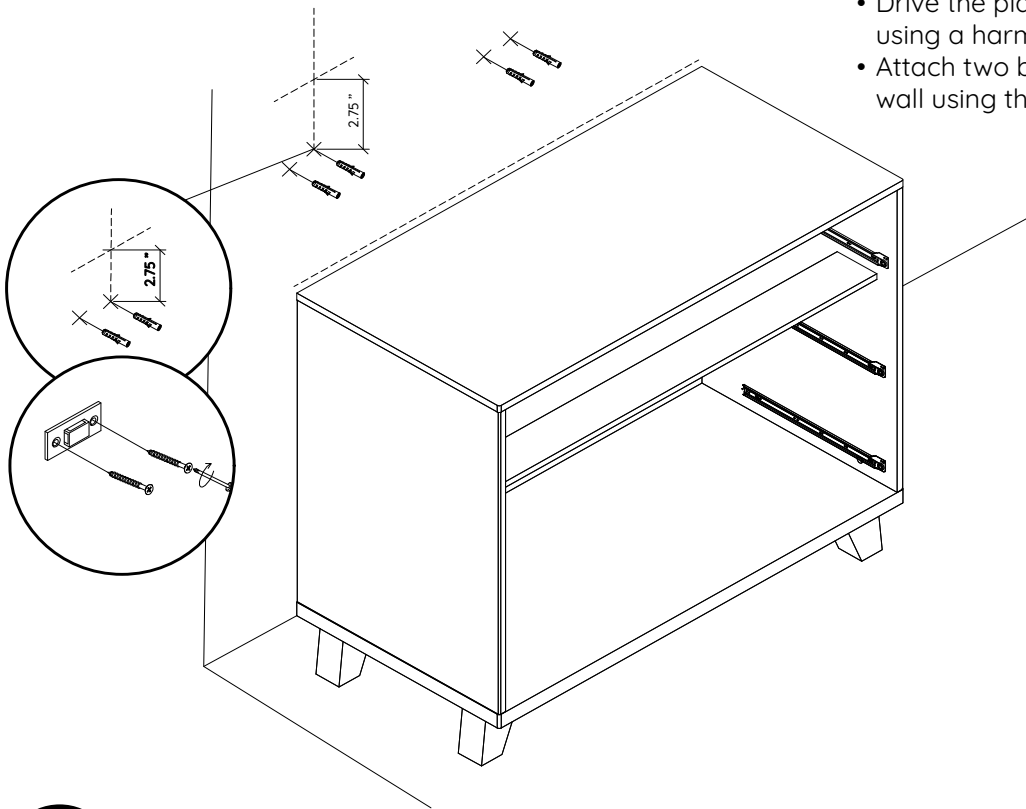


17



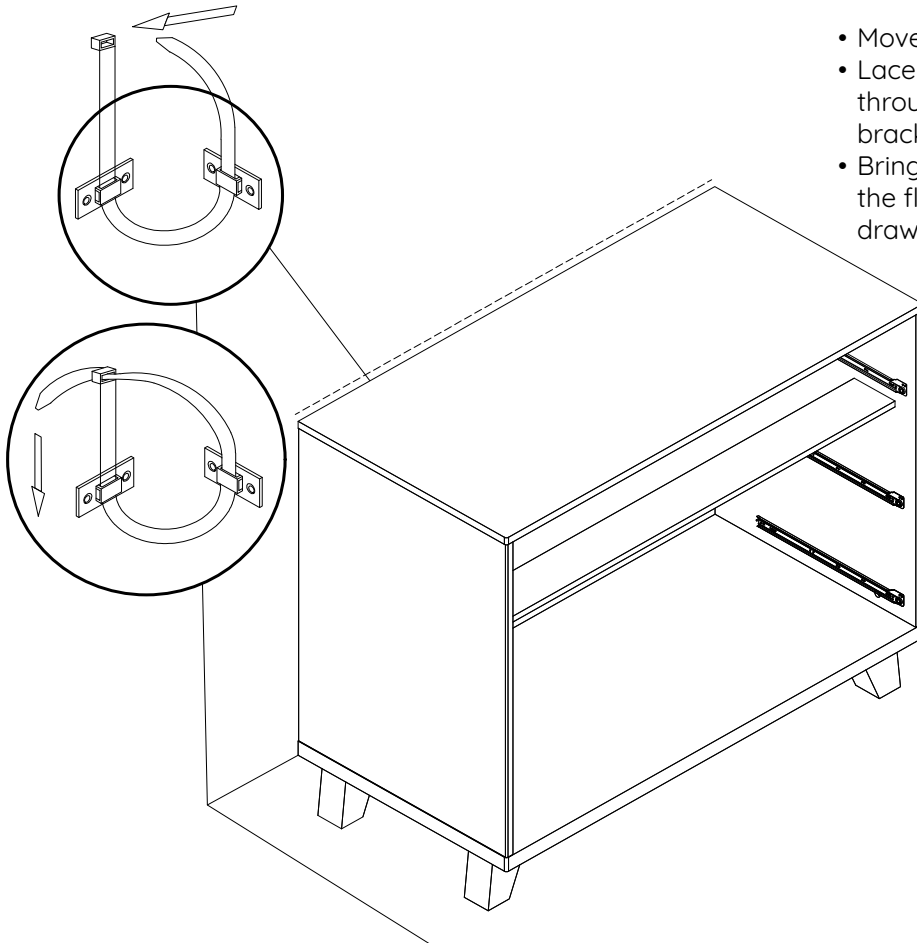
- Drill four 5/16 inch(8mm) diameter holes through the wall at the height you marked with pencil

# 18

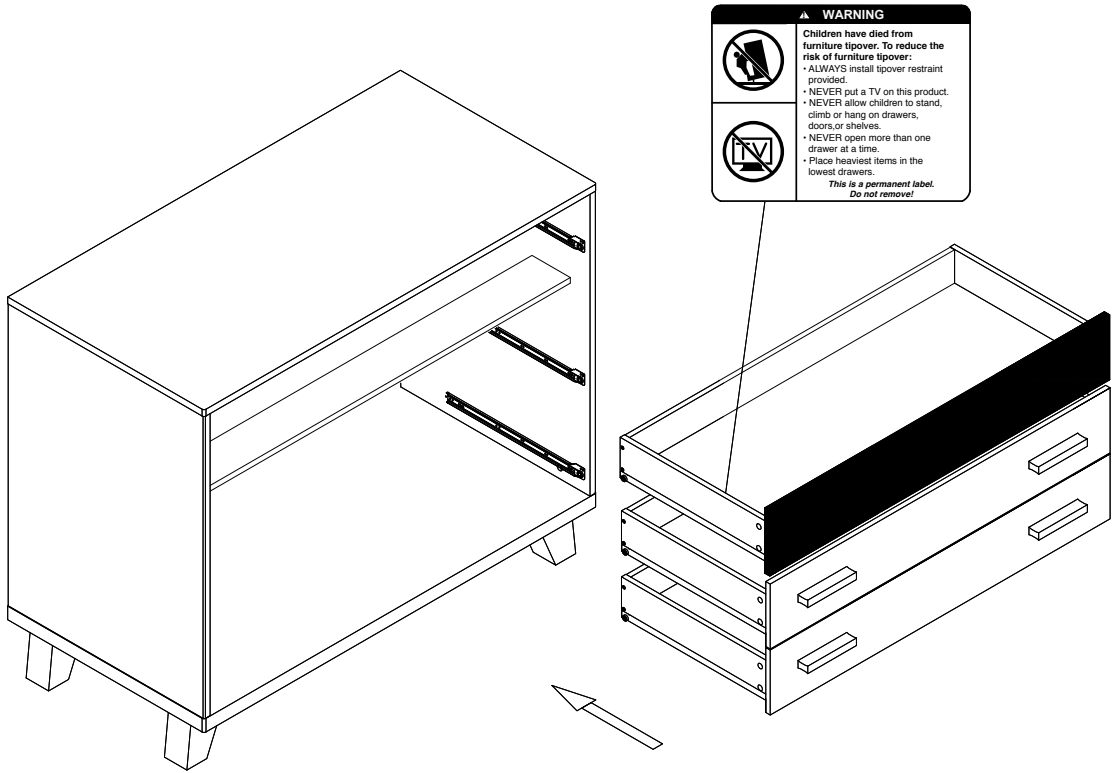


- Drive the plastic plugs into the holes, using a hammer if needed.
- Attach two brackets securely to the wall using the long screws provided.

# 19



- Move the furniture into its final position.
- Lace the end of the restraint strap through the larger hole in each mounting bracket.
- Bring both ends together and slide the flat end through the locking end and draw it through until all slack is removed.



# Finish



# Care / Cleaning / Maintenance:

---

- A little care attention will extend the life and good looks of your furniture.
- This furniture item should not be exposed to direct sunlight, extreme temperature or moistures, as this can result in irreparable damage.
- In case of water splashes, remove water immediately and wipe.
- Only use a slightly damp, soft, clean cloth on this surface if cleaning is needed.
- Never use abrasive and scouring agent or solvents.
- Do not scrub or scratch or chip the finish.
- Limits of warranty: The use of cleaning agents such as chemicals, scouring powders, or any other aggressive products might damage the furniture unit and thus the warranty will be voided.

# Limited Warranty:

---

- We guarantee this furniture unit for a period of 1 year from date of purchase.
- The warranty covers any products failure which may occur due to manufacturing fault.
- However it excludes any part subject to normal wear and tear, any damaged or defective parts that result from installation and assembly, misuse or neglect.
- The specific legal rights of this warranty may vary from state to state.
- Some states do not allow any exclusion or limitation of incidental damages.
- Some states do not allow limitation on how long an implied warranty lasts.



1-YEAR WARRANTY

# dadada;

## Customer Service:

---

**For all missing or faulty parts:**

Please re-check your packaging to ensure that parts are missing then contact the store you purchased the item from.

**The store will need the following information:**

- Copy of your purchase slip/receipt
- Model number of the unit purchased
- Description/part number of the missing or faulty part
- Quantity of the parts needed

**If you whatever reason can not contact the store, please contact dadada directly:**

[www.dadadababy.com](http://www.dadadababy.com)

Phone number: +1973848680