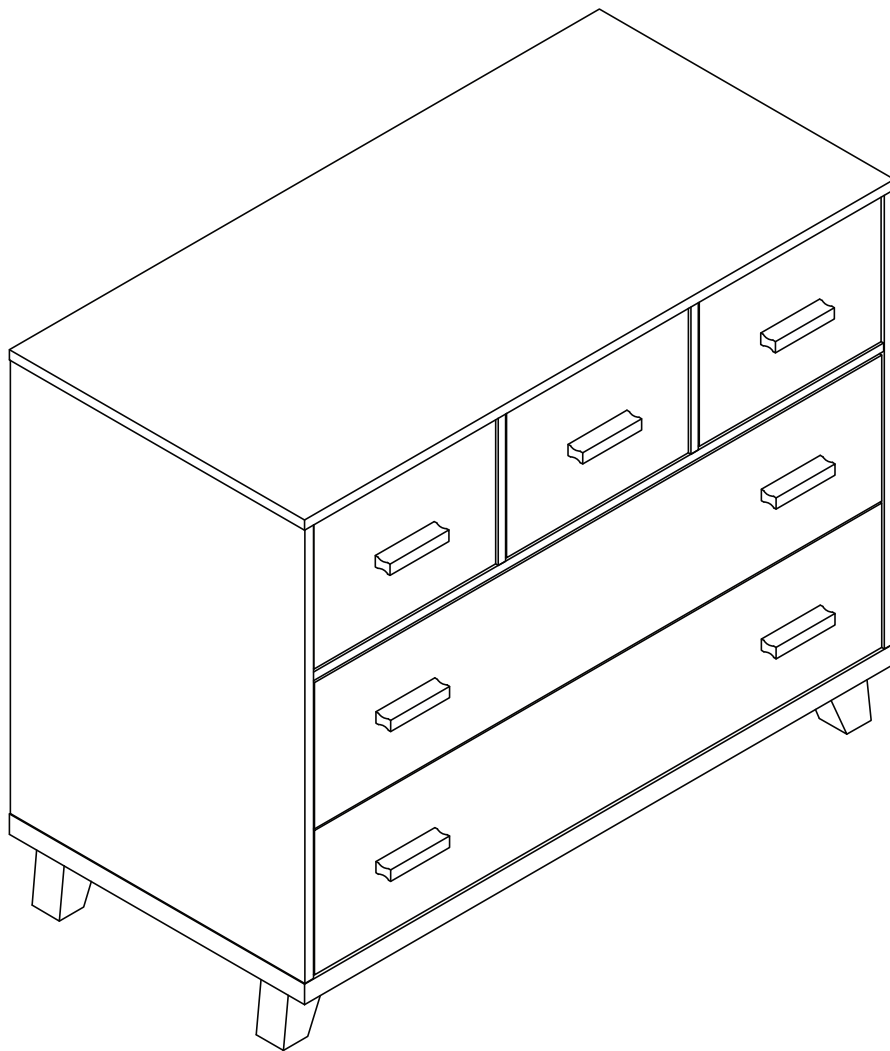


**dadada<sup>®</sup>**

# Boston Dresser

## Assembly Instructions



Updated on 7/2/22

# dadada:

Your baby's first...

We believe every family deserves beautiful spaces, quality construction that spans generations, and the peace of mind that comes with knowing their baby is at the center of everything we do.

dadada is modern nursery furniture designed with baby's first moments in mind. From form to function, base materials to baby-safe finishes, each piece is created to grow alongside little ones and provide parents with a trusted foundation for their family's most precious memories.

## what makes us special?



thoughtfully controlled manufacturing

all our cribs are manufactured in Italy in well-established, certified factories that use state-of-the-art modern technologies.



one-year warranty on our dressers

we guarantee the quality of our products and offer a limited warranty to protect you against product failure or damage.



baby-safe finishes

our paints and stains are ALWAYS lead and phthalate free, and meet strict juvenile and industry safety standards.



affordable luxury

we sell our modern, beautifully designed pieces at attainable prices because we believe that every baby deserves the absolute best in design.



sustainably sourced, durable materials

we use hardwoods that are not only aesthetically beautiful, but also strong enough to last generations, reducing the amount of disposable furniture that finds its way to our landfills.



GREENGUARD GOLD Certified Cribs

for indoor-air-emissions testing according to stringent requirements exceeding the State of California indoor air quality for schools and GSA standards.

learn more on our website





---

Thank you for purchasing our product. Please follow these assembly instructions carefully - they will save you time and make assembly easier and prevent possible damage to your new dadada furniture.

We strongly recommend assembling this unit on a soft surface, like carpet or a blanket.

When moving dadada furniture, always lift the product off the floor. Dragging or sliding the furniture can both damage the product and scratch your floors.



## CAUTION

---

- READ ALL INSTRUCTIONS BEFORE USING THIS PRODUCT.
- KEEP THESE INSTRUCTIONS FOR FUTURE USE.
- NEVER PUT YOUR BABY ON TOP OF THE DRESSER WITHOUT A CHANGING TRAY



Before you start to assemble,  
we highly recommend  
watching the instructional  
video on our website:  
[dadadababy.com](http://dadadababy.com)

# Your baby's first dresser

---

**dadada:**

Your baby's first...

## Boston dresser

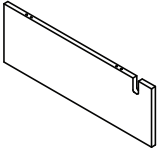


# Parts List

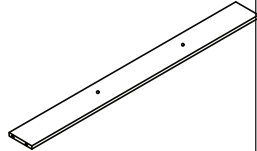
.....

Please check to make sure you have all parts listed here before assembling. For any missing or faulty parts, please contact our Customer Care team. Customer Care contact info can be found on the last page of this manual.

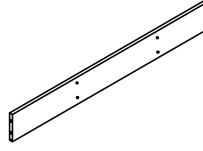
1 x2



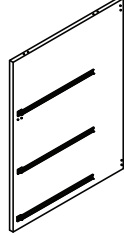
2 x1



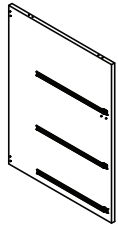
3 x1



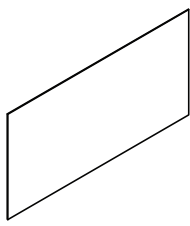
4 x1



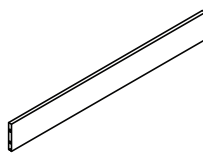
5 x1



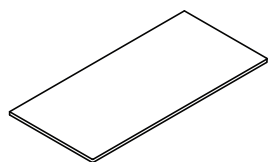
6 x1



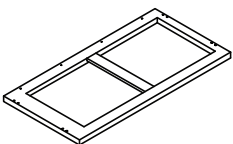
7 x1



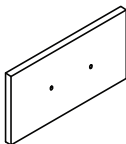
8 x1



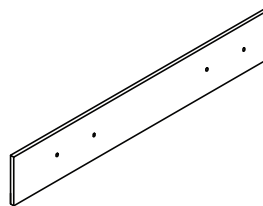
9 x1



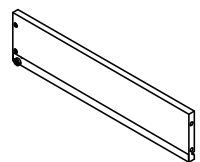
10 x3



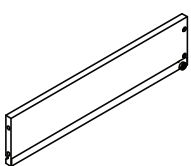
11 x2



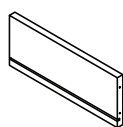
12 x5



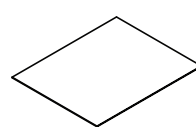
13 x5



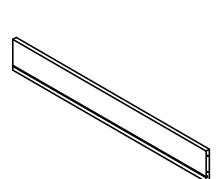
14 x3



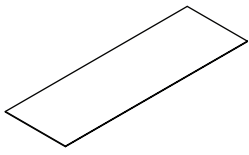
15 x3



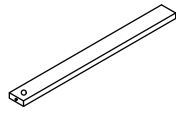
16 x2



17 x2

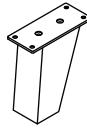


18 x4



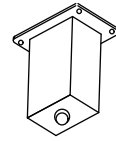
19 x4

Leg

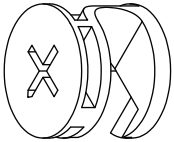


20 x1

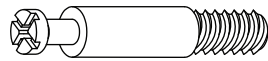
Middle Leg



A x56

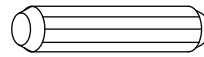


B x56



C x12

ø8x30



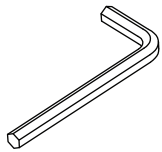
D x6

ø7x48



E x1

M4



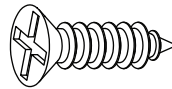
F x24

1-9/16"  
ø4x40



G x20

5/8"  
ø4x16



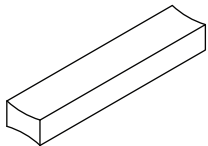
H x14

M4x22



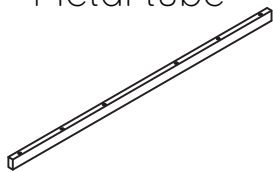
I x7

Handle



J x1

Metal tube

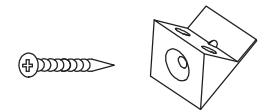


K x6

ø5x55



L x20



Extra Fittings

A +3 Extra

B +3 Extra

C +3 Extra

D +2 Extra

F +3 Extra

G +3 Extra

H +3 Extra

K +1 Extra

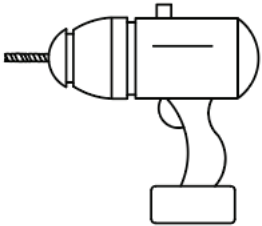
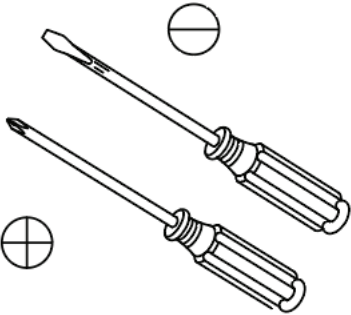
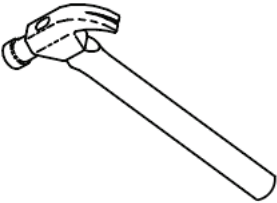
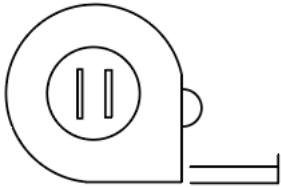
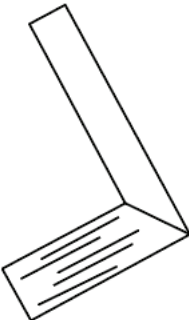
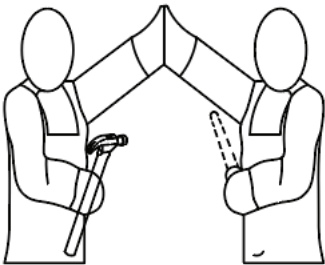
L +3 Extra

# Tools Required for Assembly

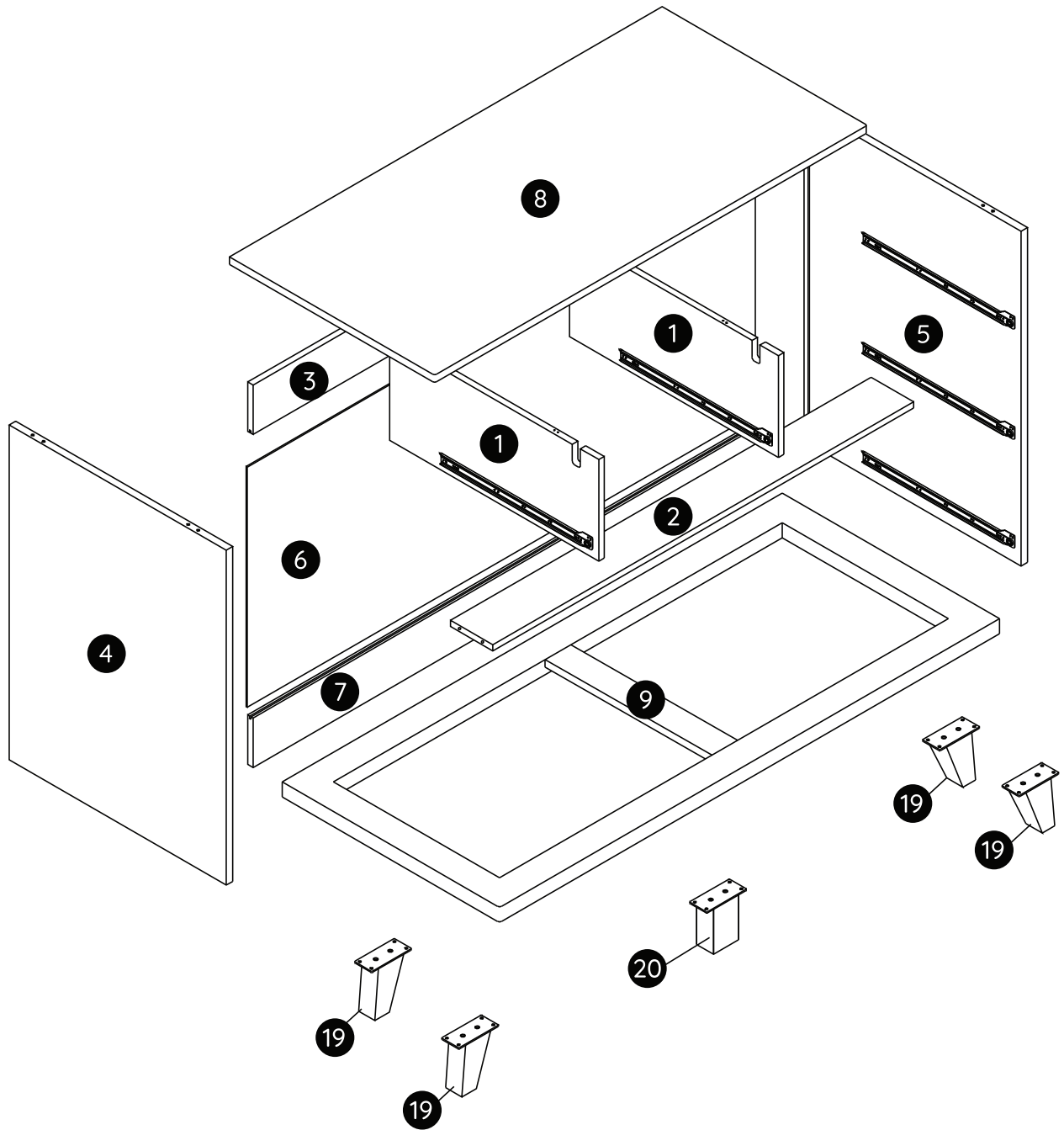
(not included)

---

Images for illustration purposes only.

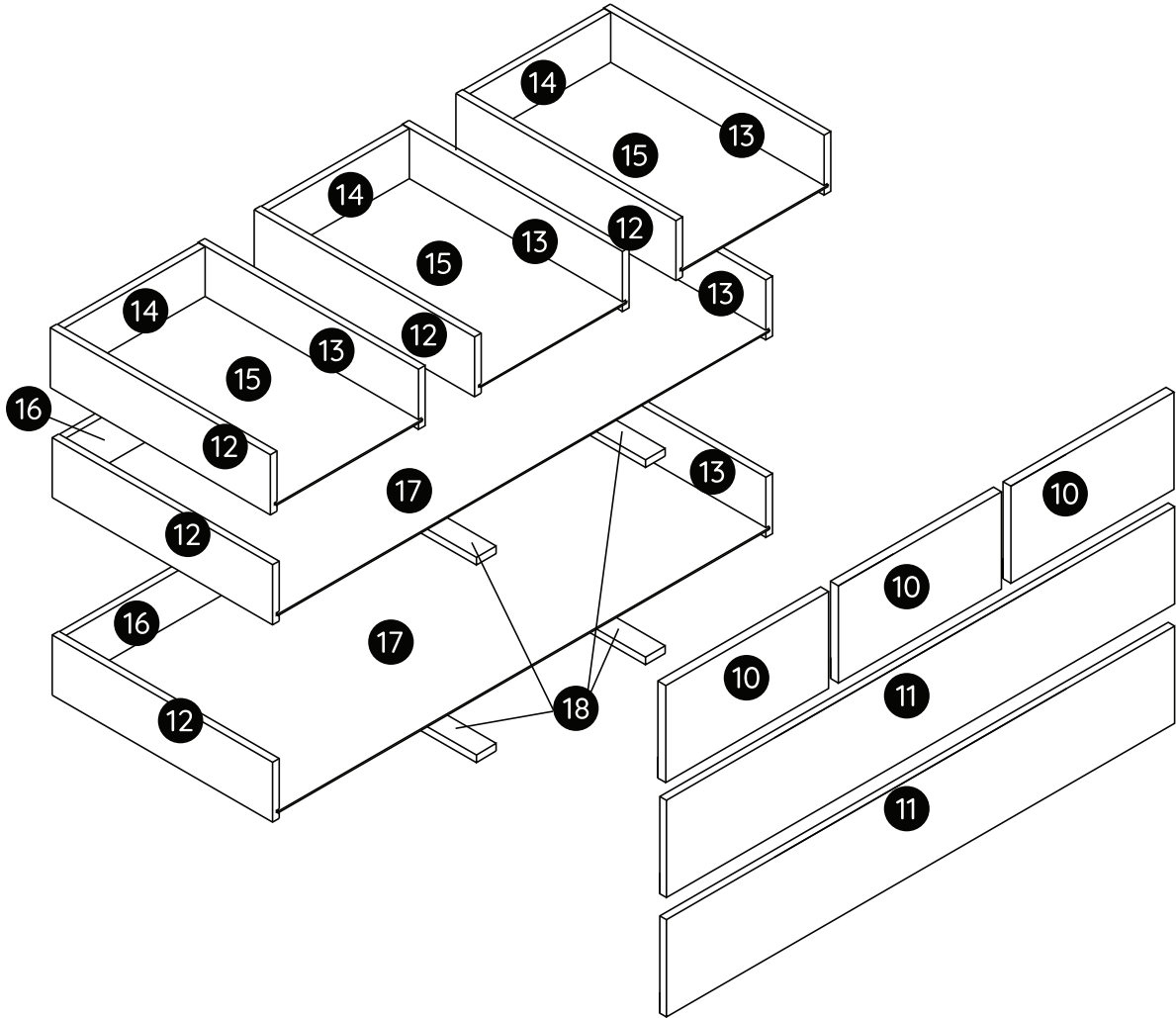


# Overview

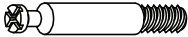


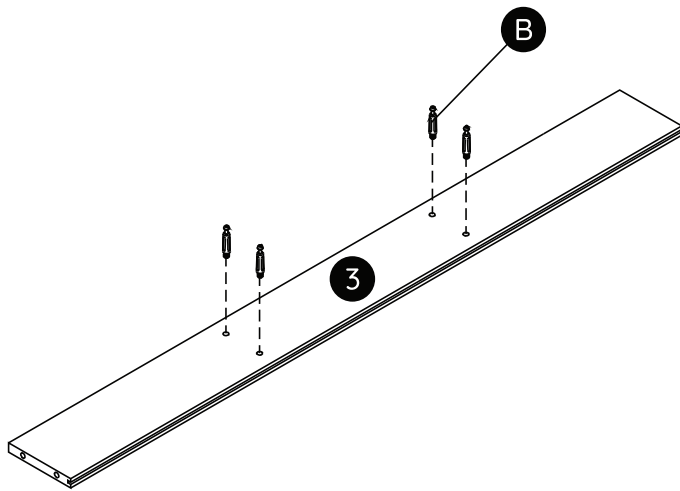


# Overview



1

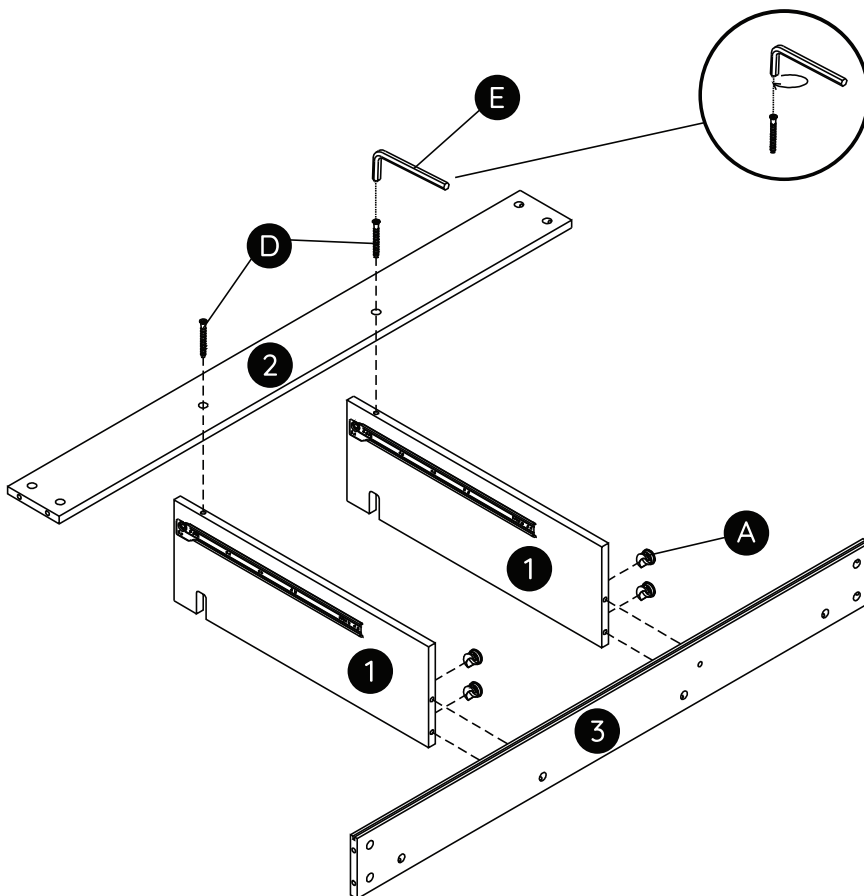
B x4 



• Rotate 'B' clockwise to secure.

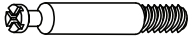
2

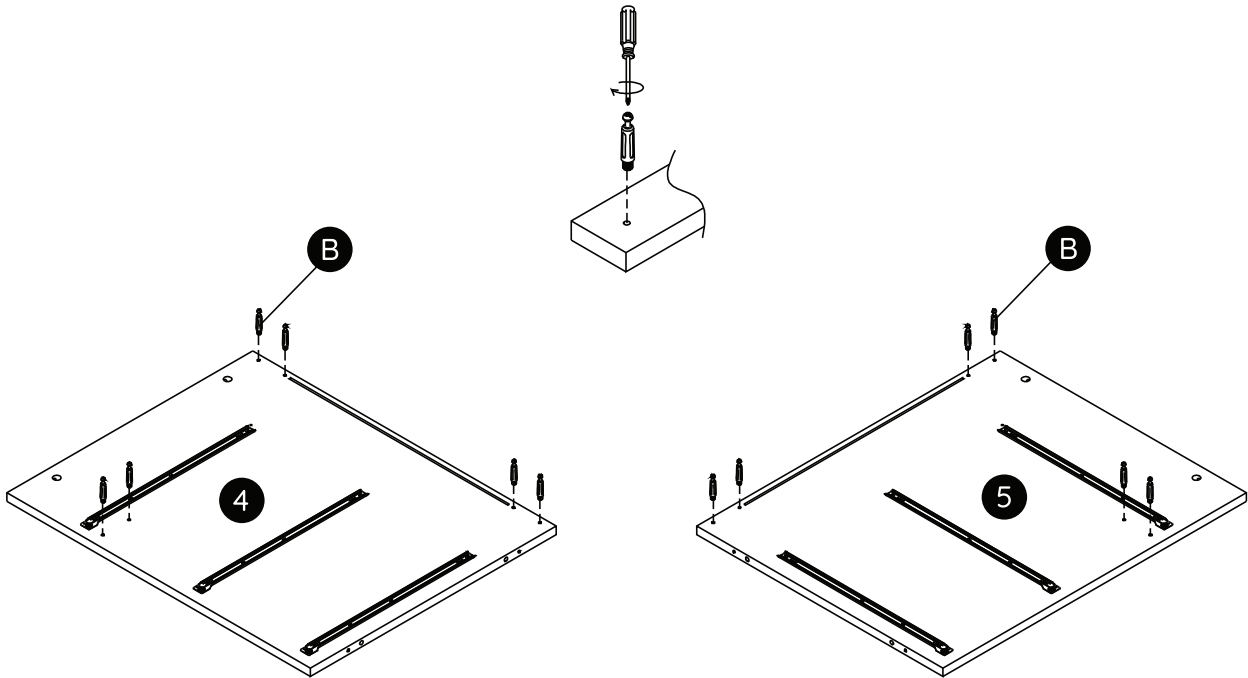
A x4  D x2 




• Rotate 'A' clockwise to secure,  
Tighten 'D' clockwise with 'E'.

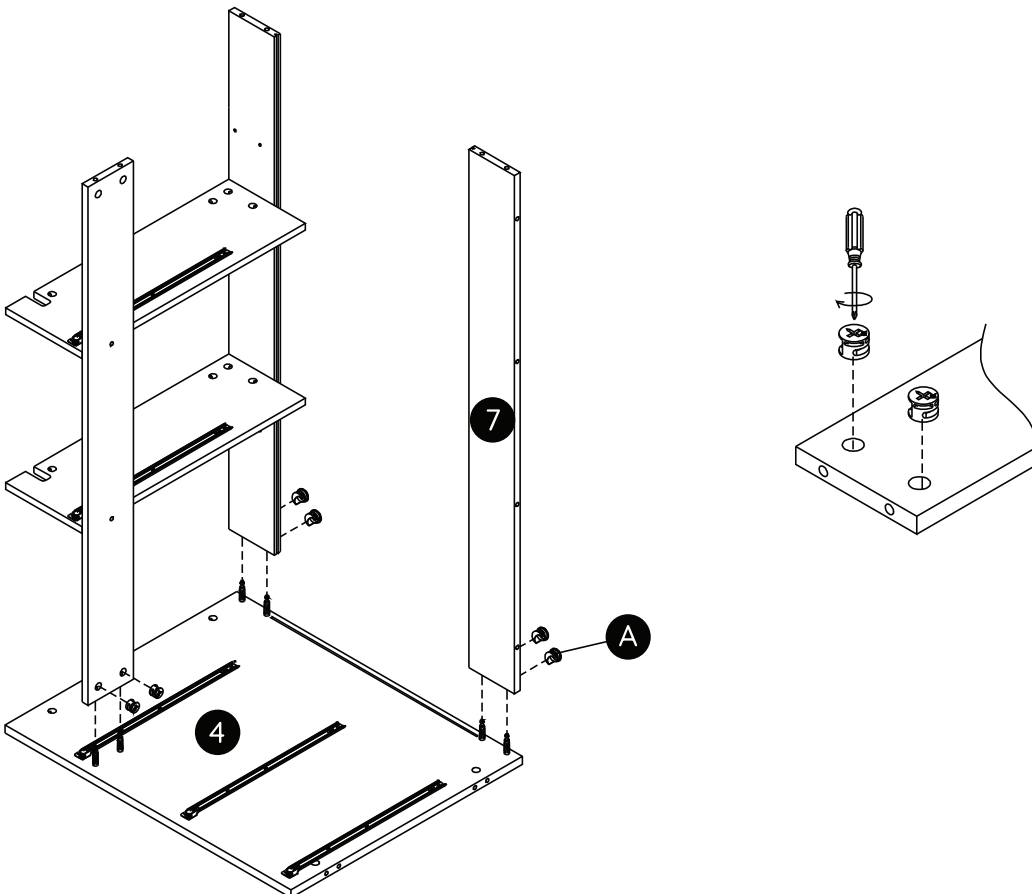
3

B x12 

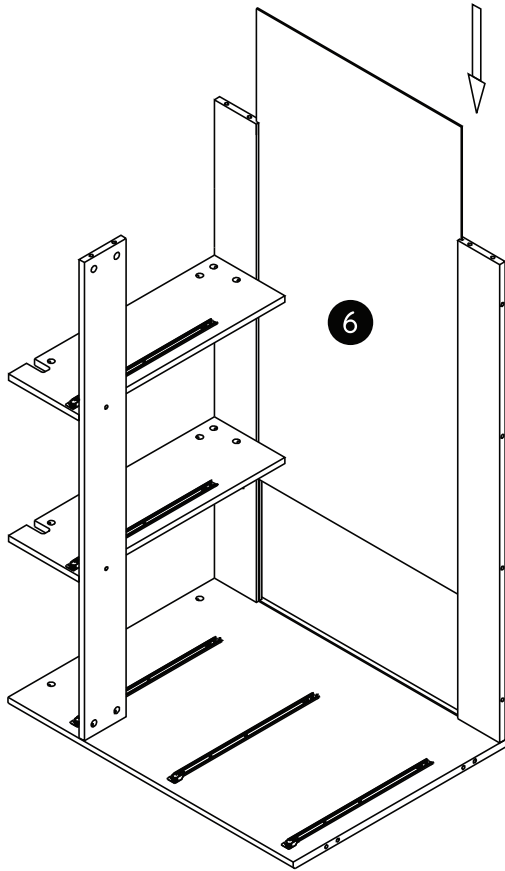


4


A x6 

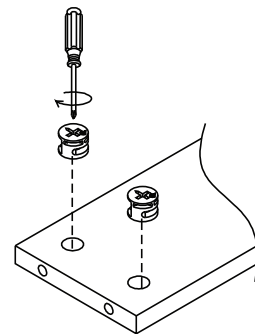
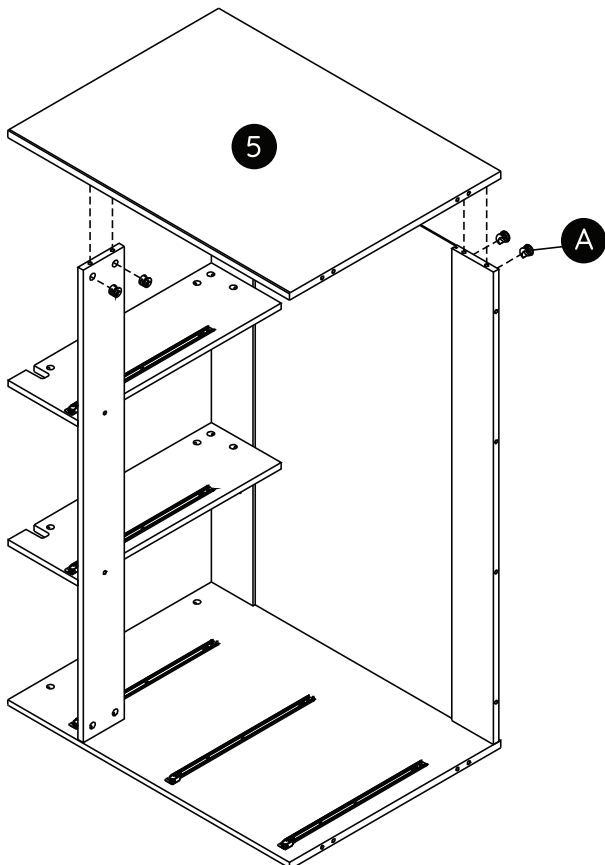


5

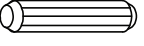


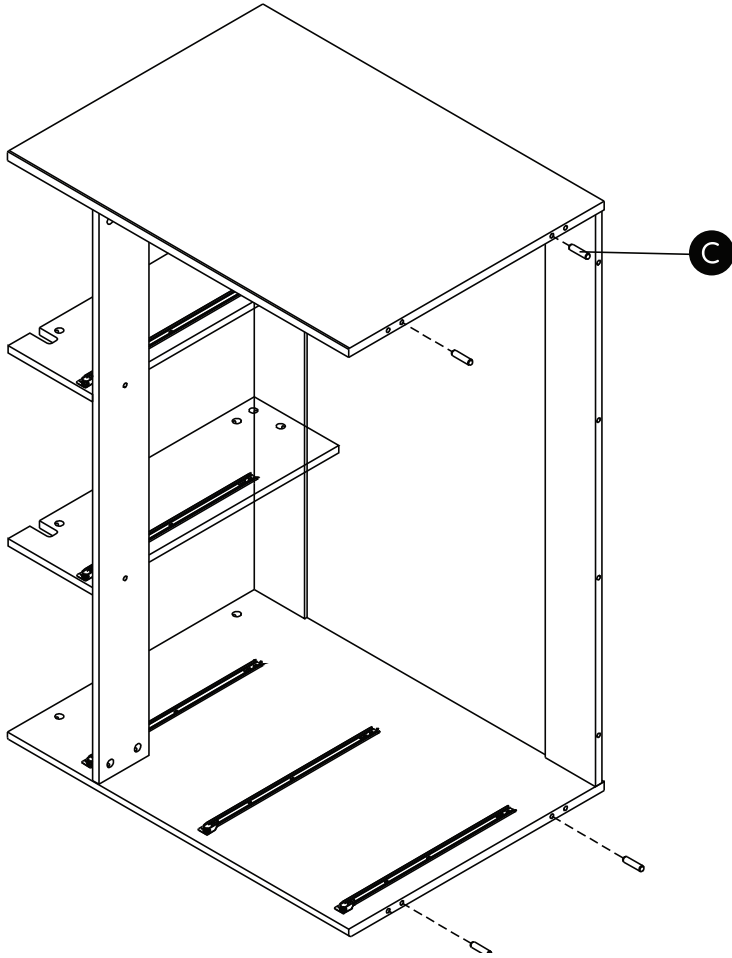
6

A x6 

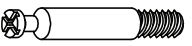


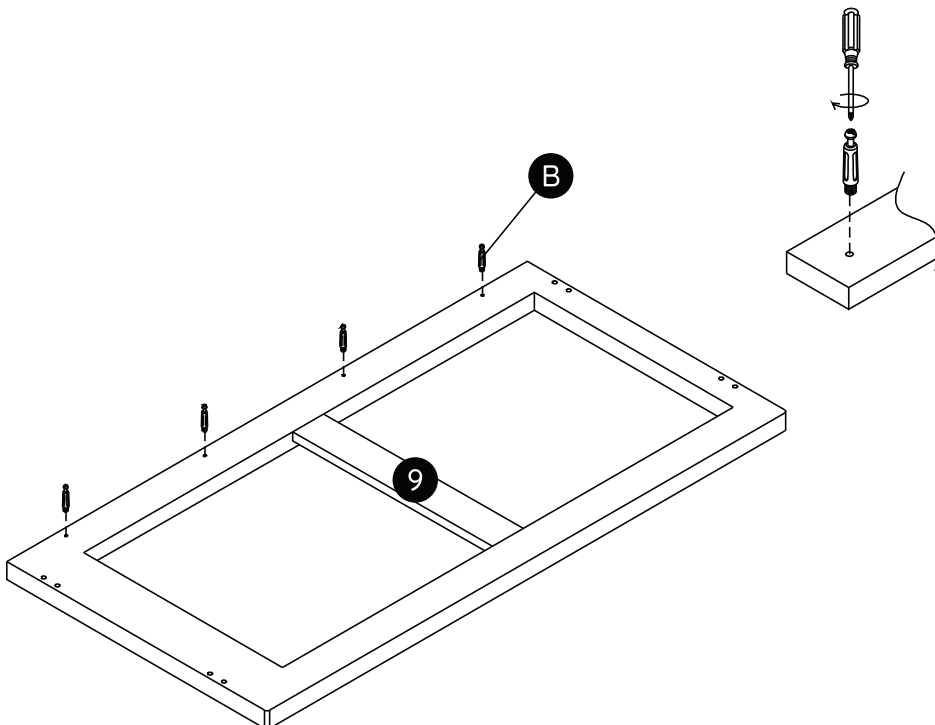
7

C x4 




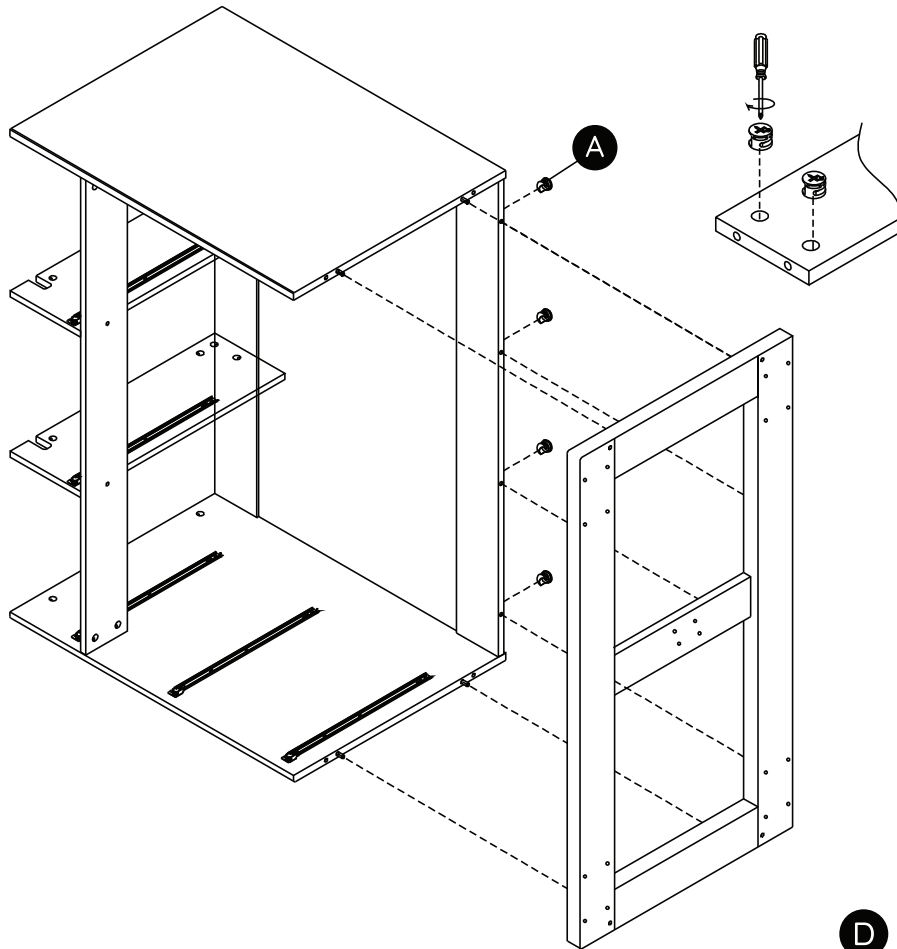
8

B x4 

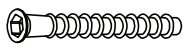


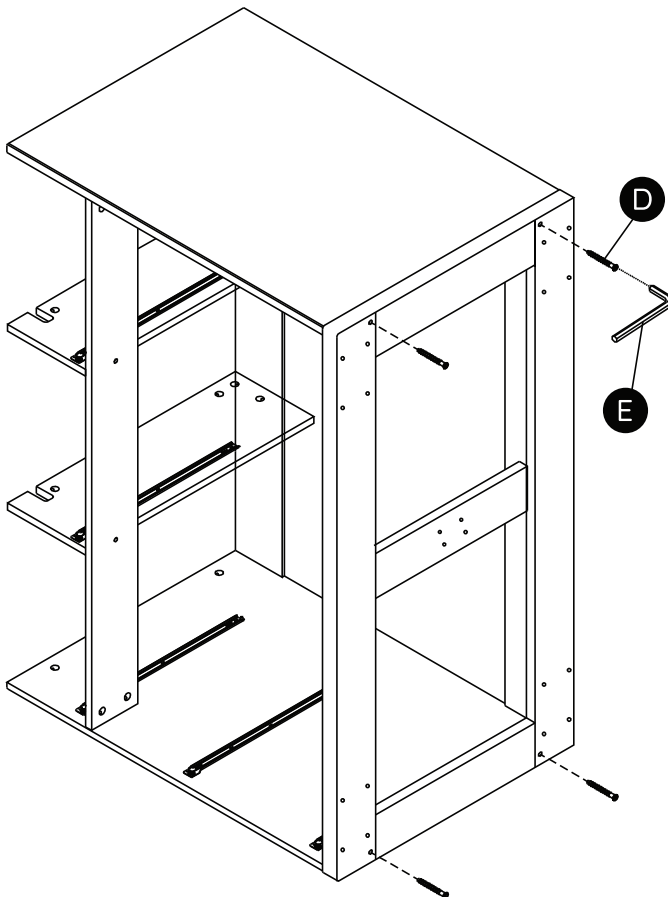
9

A x4 



10

D x4 

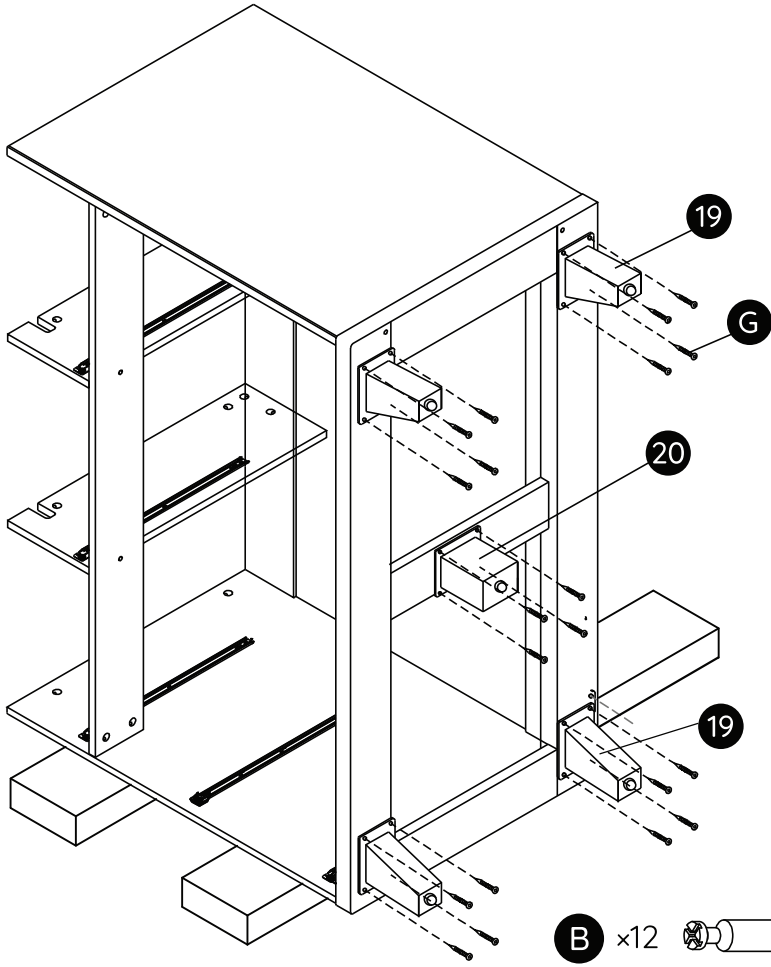


• Tighten 'D' clockwise with 'E'.

11

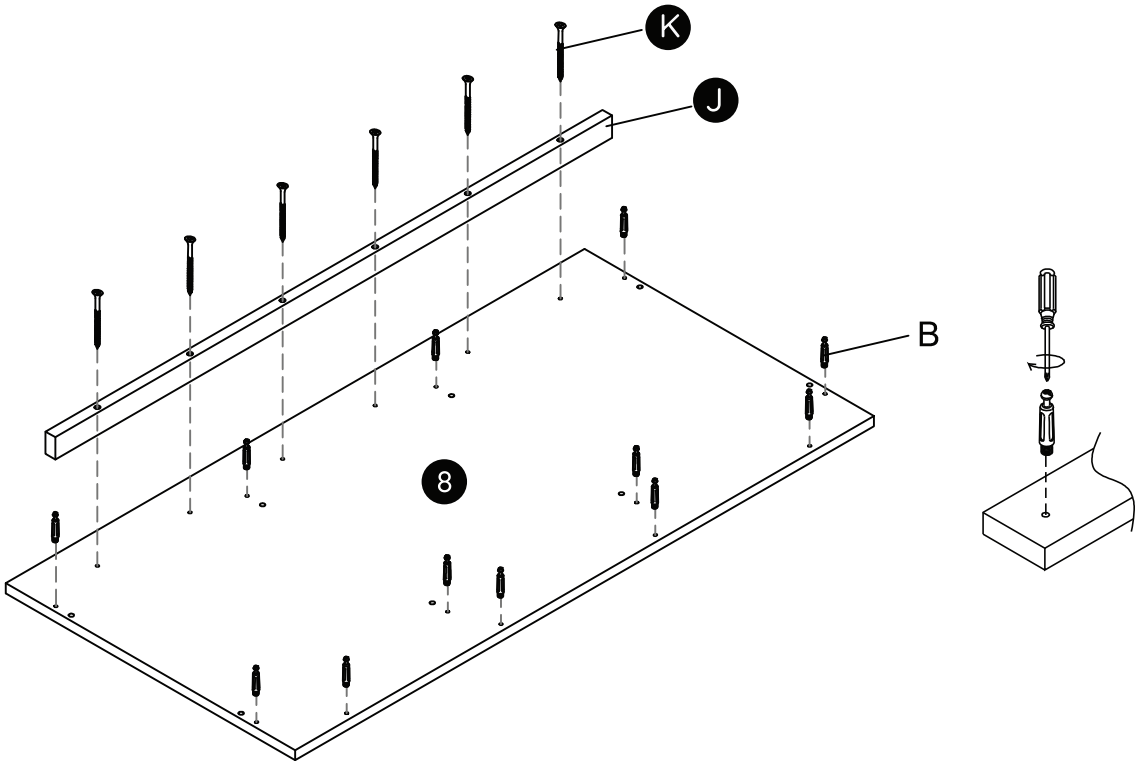
G x20 

Put two pieces of foam under the dresser to raise it for easier assembling.

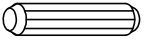


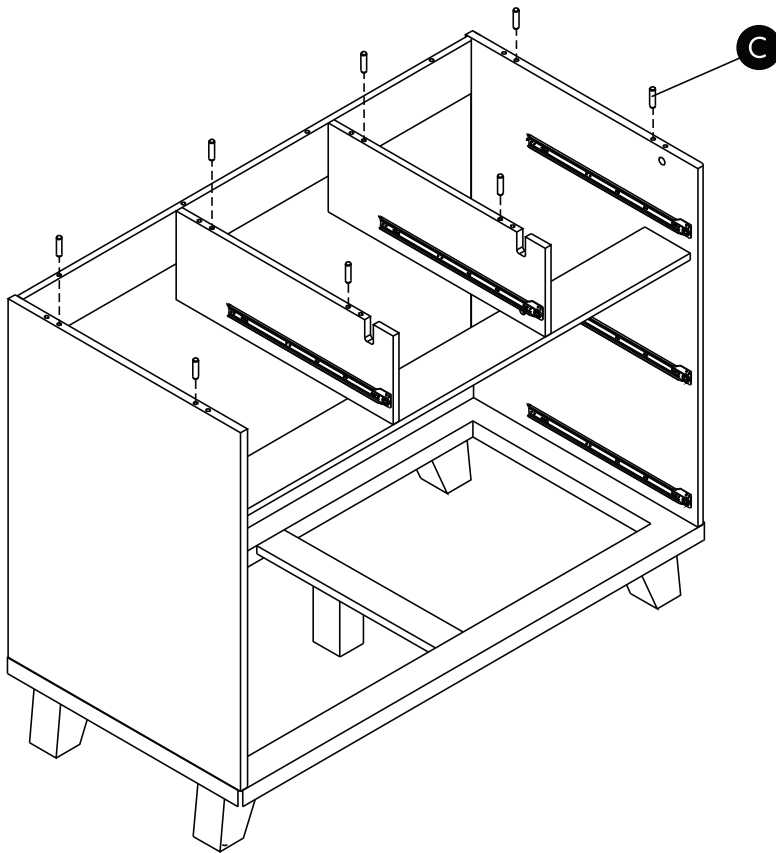
12

B x12  K x6 




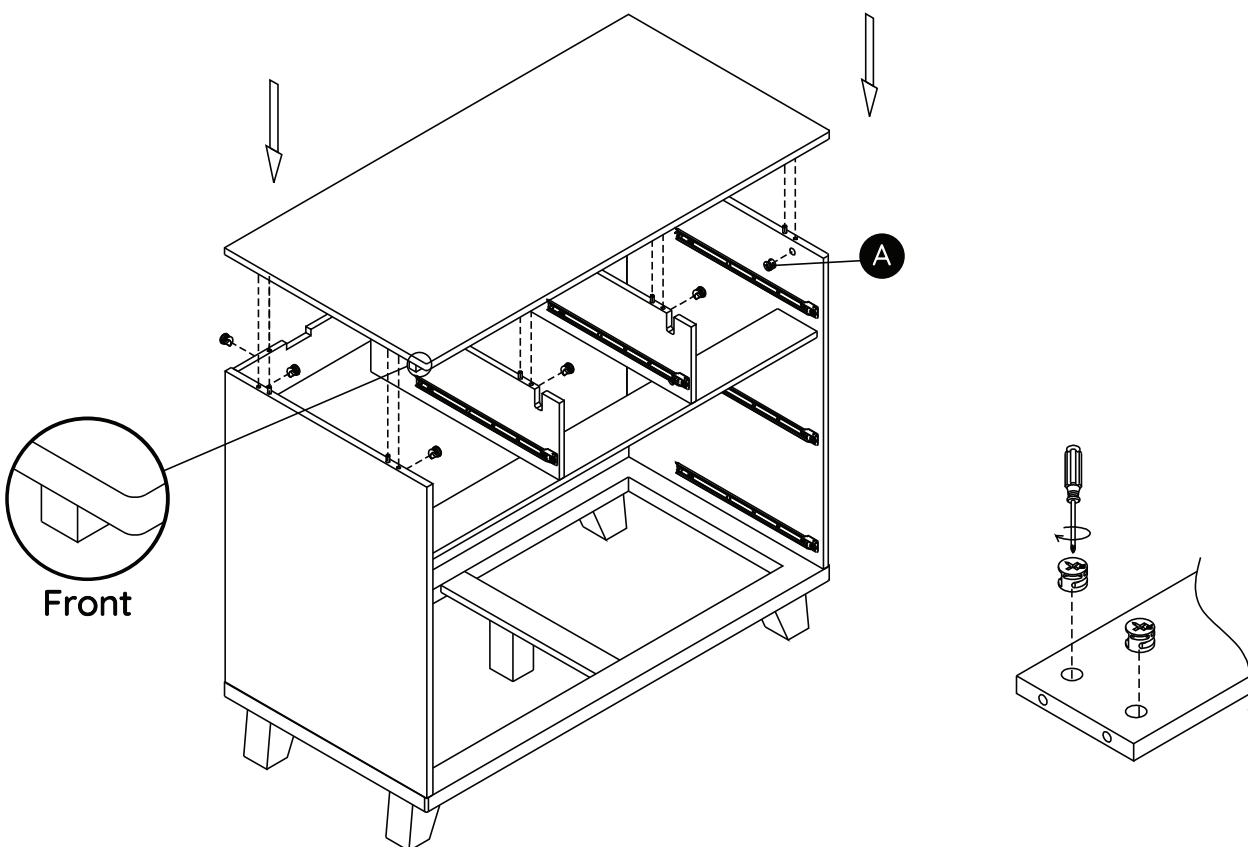
13

C x8 



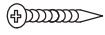

14

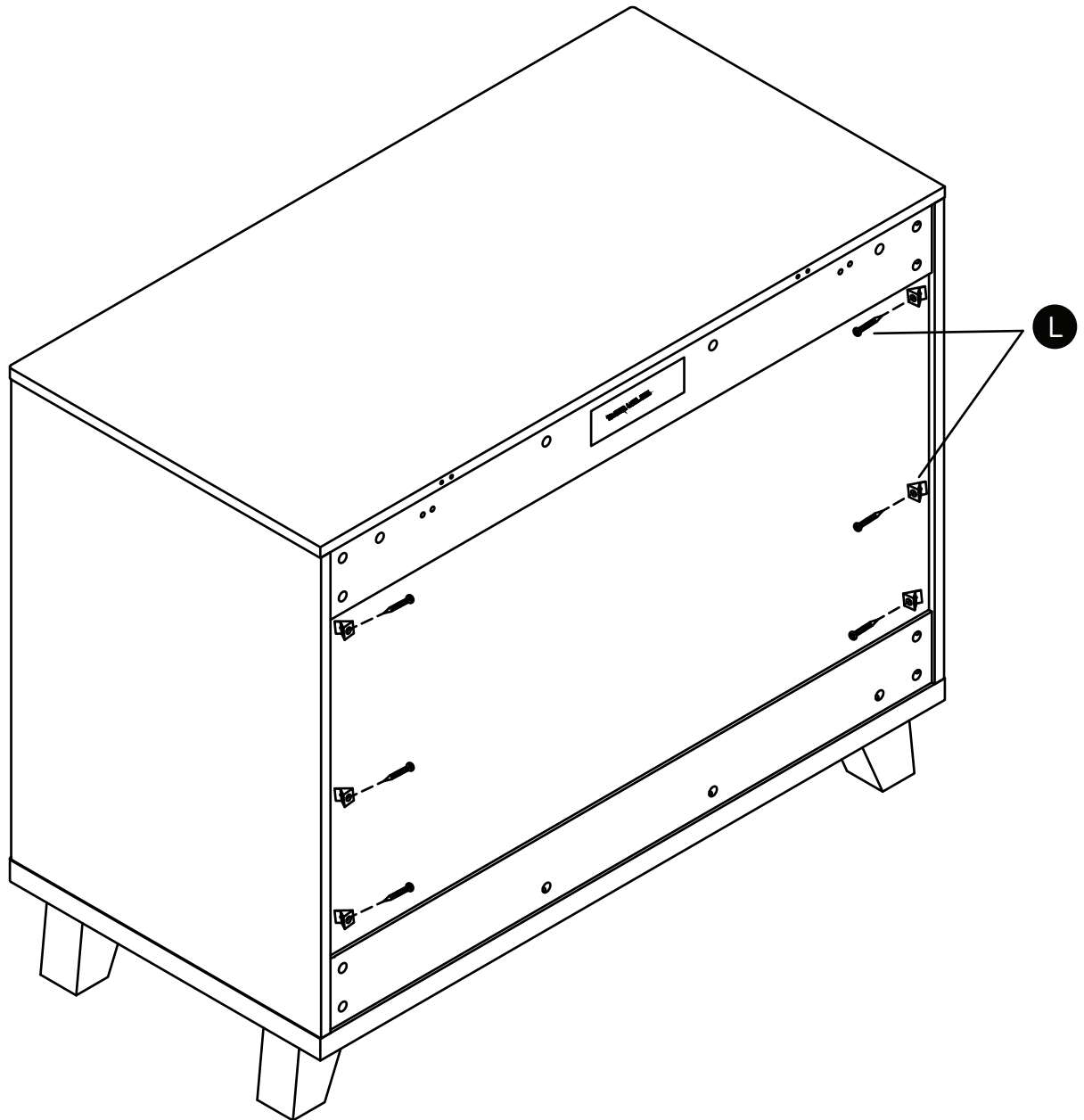
A x12 





15

L x6  



Put the plastic bracket insert if necessary