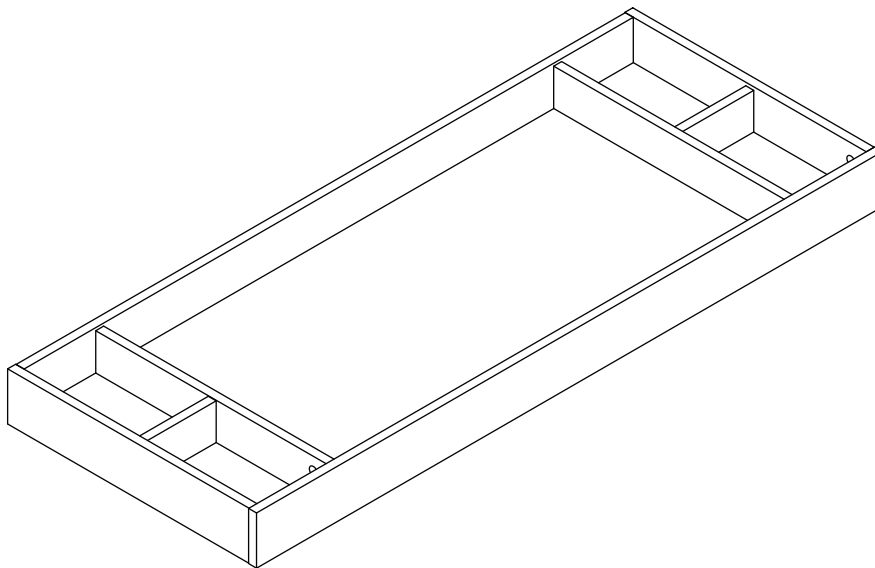


dadada[®]

Changing Tray

Austin, Boston, Central Park, Kenton + Tribeca Dressers

Assembly Instructions



Updated on 7/2/22

dadada:

Your baby's first...

We believe every family deserves beautiful spaces, quality construction that spans generations, and the peace of mind that comes with knowing their baby is at the center of everything we do.

dadada is modern nursery furniture designed with baby's first moments in mind. From form to function, base materials to baby-safe finishes, each piece is created to grow alongside little ones and provide parents with a trusted foundation for their family's most precious memories.

what makes us special?



thoughtfully controlled manufacturing

all our cribs are manufactured in Italy in well-established, certified factories that use state-of-the-art modern technologies.



one-year warranty on our dressers

we guarantee the quality of our products and offer a limited warranty to protect you against product failure or damage.



baby-safe finishes

our paints and stains are ALWAYS lead and phthalate free, and meet strict juvenile and industry safety standards.



affordable luxury

we sell our modern, beautifully designed pieces at attainable prices because we believe that every baby deserves the absolute best in design.



sustainably sourced, durable materials

we use hardwoods that are not only aesthetically beautiful, but also strong enough to last generations, reducing the amount of disposable furniture that finds its way to our landfills.



GREENGUARD GOLD Certified Cribs

for indoor-air-emissions testing according to stringent requirements exceeding the State of California indoor air quality for schools and GSA standards.

learn more on our website



dadada®

Thank you for purchasing our product. Please follow these assembly instructions carefully - they will save you time and make assembly easier and prevent possible damage to your new dadada furniture.

We strongly recommend that the tray is assembled on a level, stable surface.



CAUTION

- READ ALL INSTRUCTIONS BEFORE USING THIS PRODUCT.
- KEEP THESE INSTRUCTIONS FOR FUTURE USE.
- DO NOT USE THE TRAY IF IT IS DAMAGED OR BROKEN
- CHANGING PAD IS NOT INCLUDED. SOLD SEPARATELY

The recommended maximum weight of the occupant is 30 lb (13.6 kg) on the changing table.

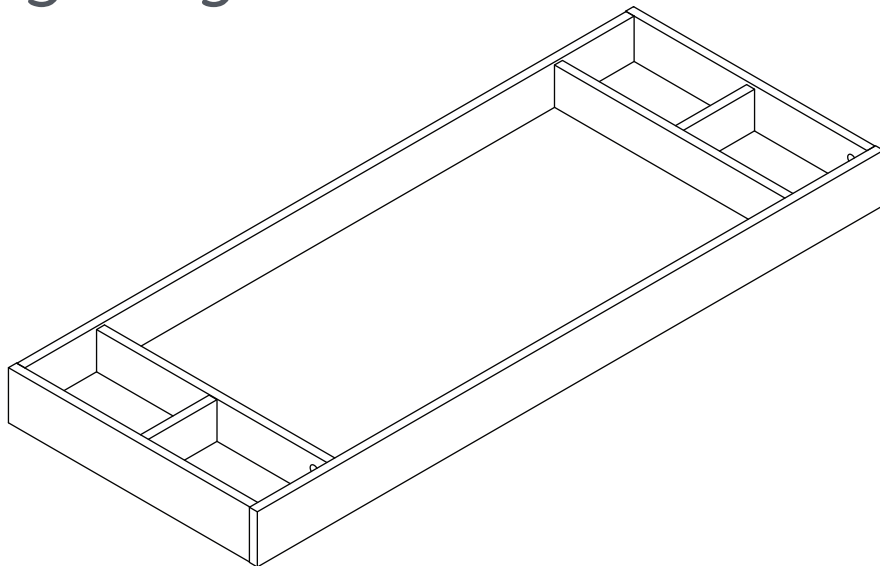


Before you start to assemble,
we highly recommend
watching the instructional
video on our website:
dadadababy.com

Your baby's changing tray

dadada:
Your baby's first...

Changing Tray

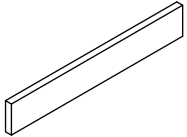


Parts List

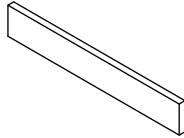
.....

Please check to make sure you have all parts listed here before assembling. For any missing or faulty parts, please contact our Customer Care team. Customer Care contact info can be found on the last page of this manual.

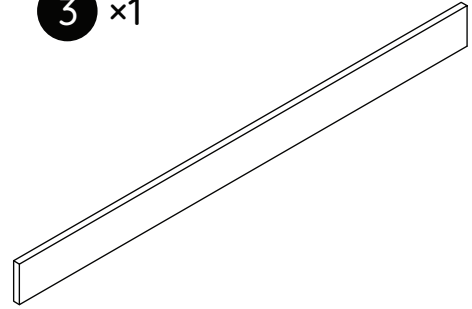
1 x1



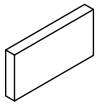
2 x1



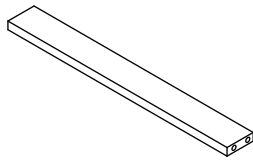
3 x1



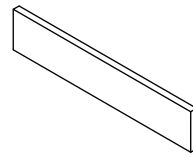
4 x2



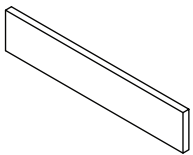
5 x2



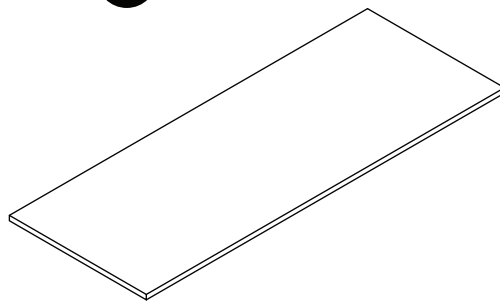
6 x1



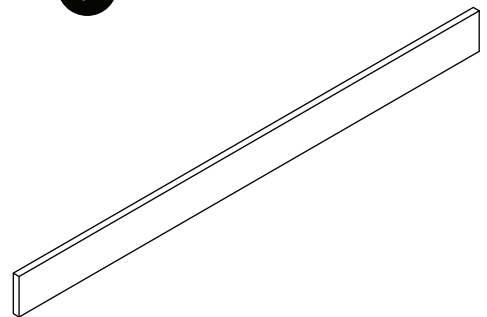
7 x1



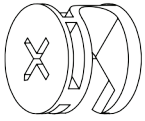
8 x1



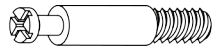
9 x1



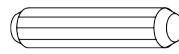
A x10



B x10

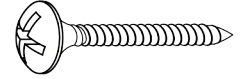


C x16

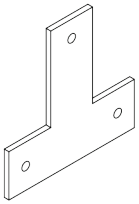


D x6

1-3/4"
ø4x45



E x2

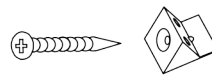


F x6

5/8"
ø4x16



G x6



Extra fittings:

A +3 Extra

B +3 Extra

C +3 Extra

D +3 Extra

F +3 Extra

G +2 Extra

Tools Required for Assembly

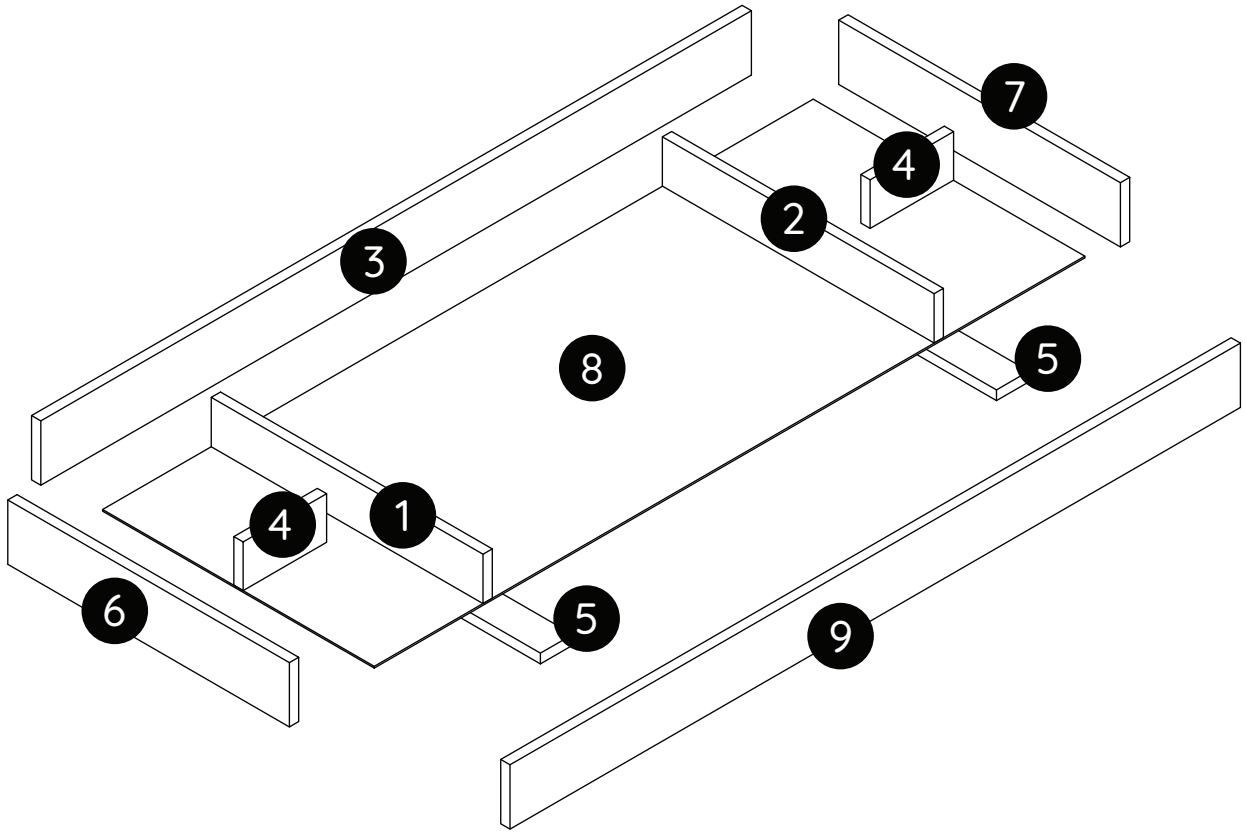
(not included)

.....

Images for illustration purposes only.



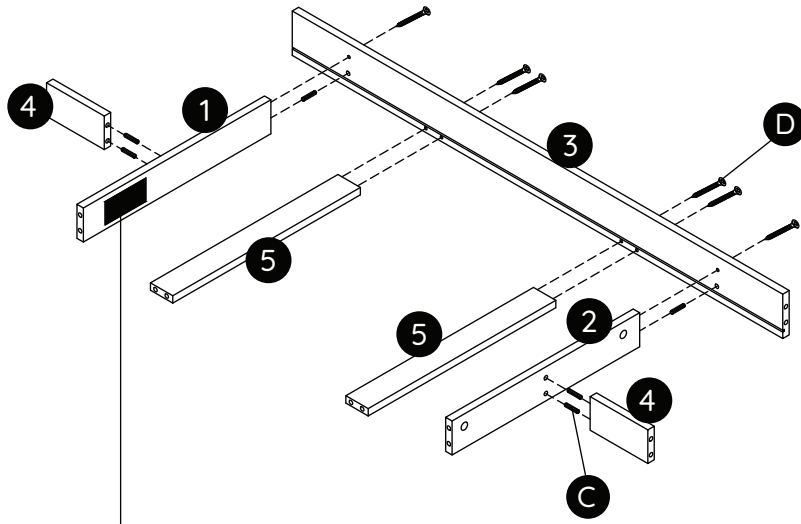
Overview



1

D × 6 

C × 6 



⚠ WARNING

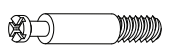
FALL HAZARD: Children have suffered serious injuries after falling from changing tables. Falls can happen quickly.

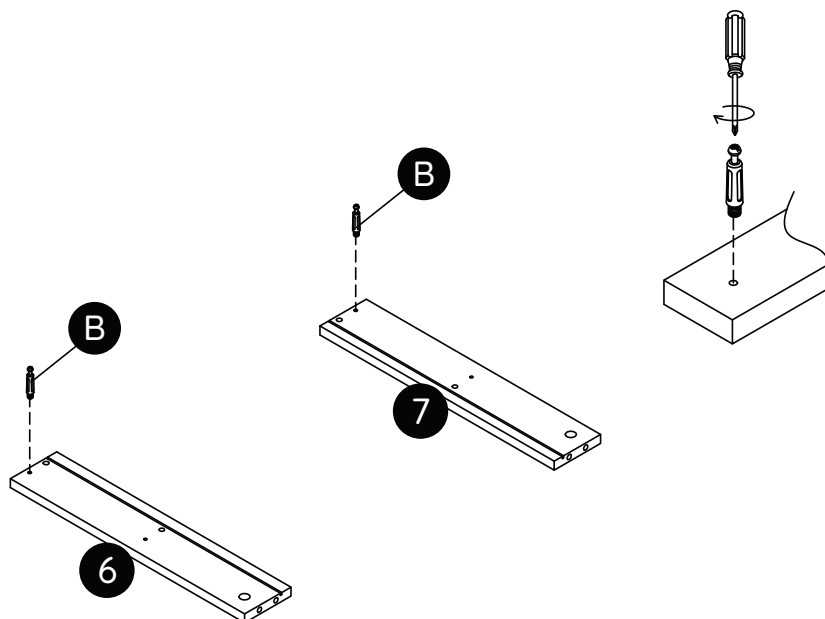
- **STAY** in arm's reach of your child.
- **ALWAYS** secure this product to the support surface by the provided hardware.

See instructions


- The support surface used should be level, stable, and structurally sound with minimum surface dimension of 47.2" (120 cm) by 18.9" (48 cm).
- The recommended contoured pad dimensions are : 32"-33" x 17" x 4".
- The maximum weight of the occupant should not be greater than 30 lbs (13.6 kgs) .


2

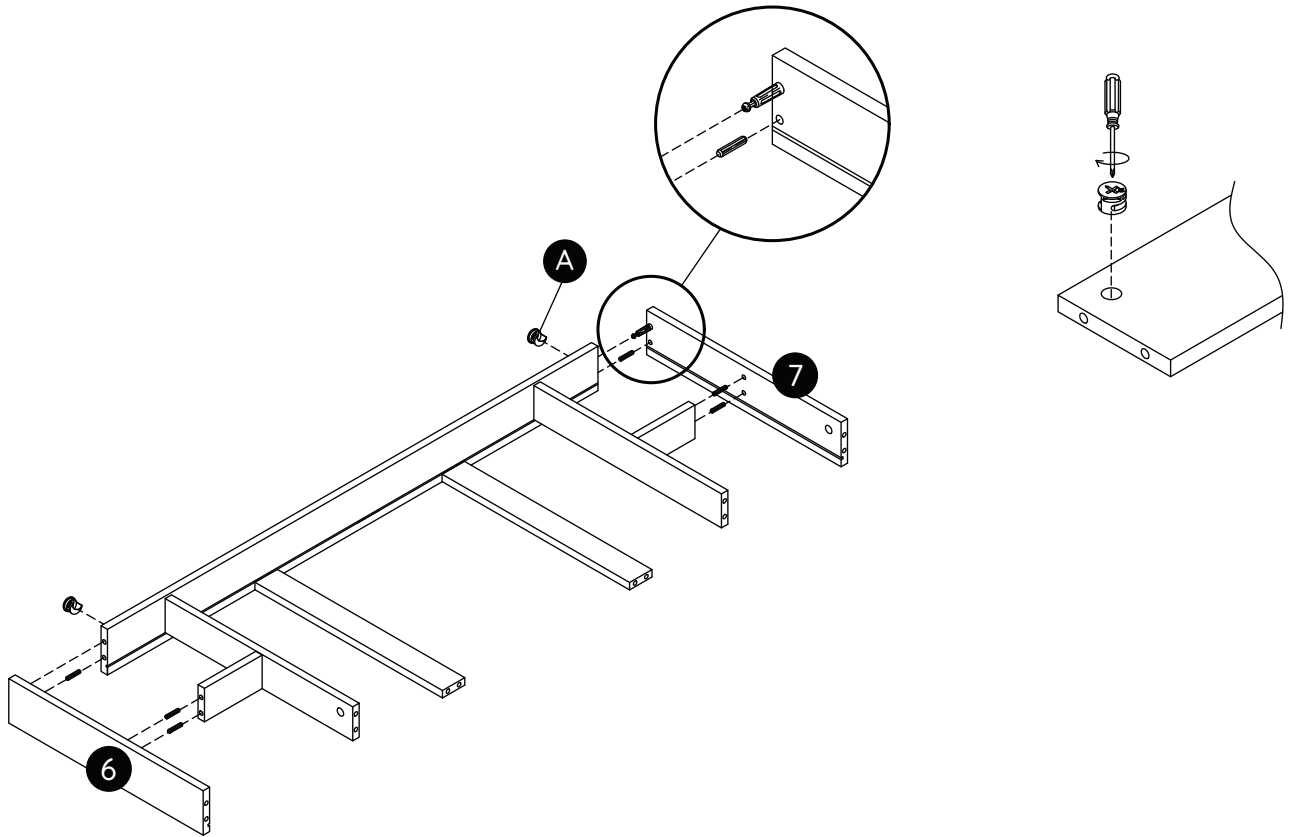
B × 2 




3

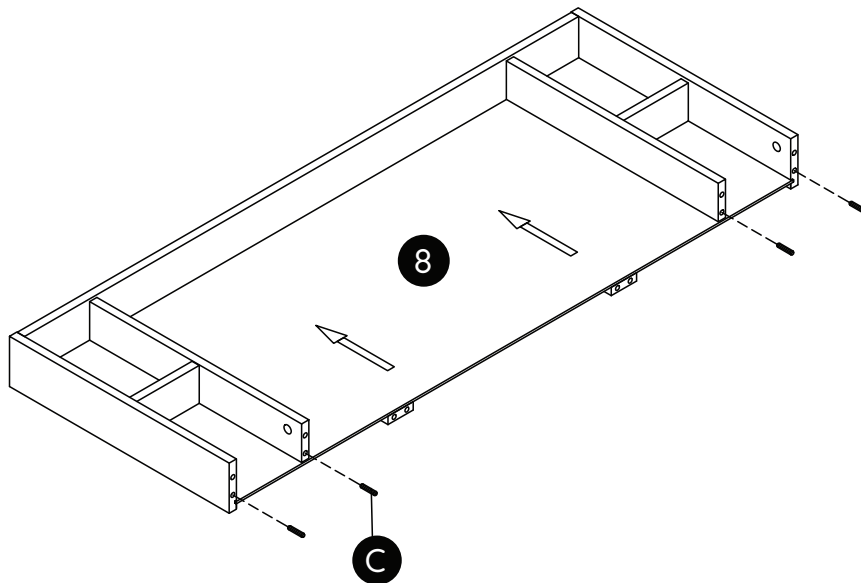
A x2 

C x6 

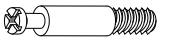


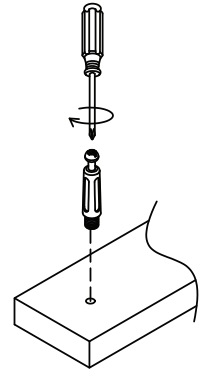
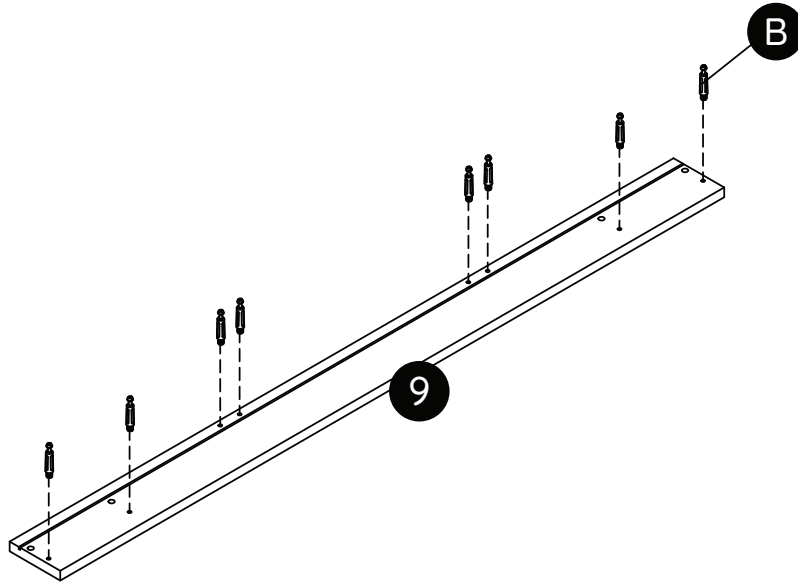
4

C x4 




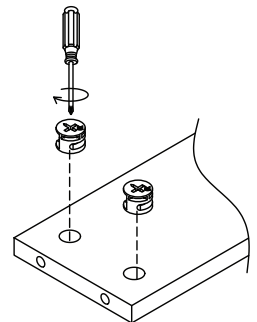
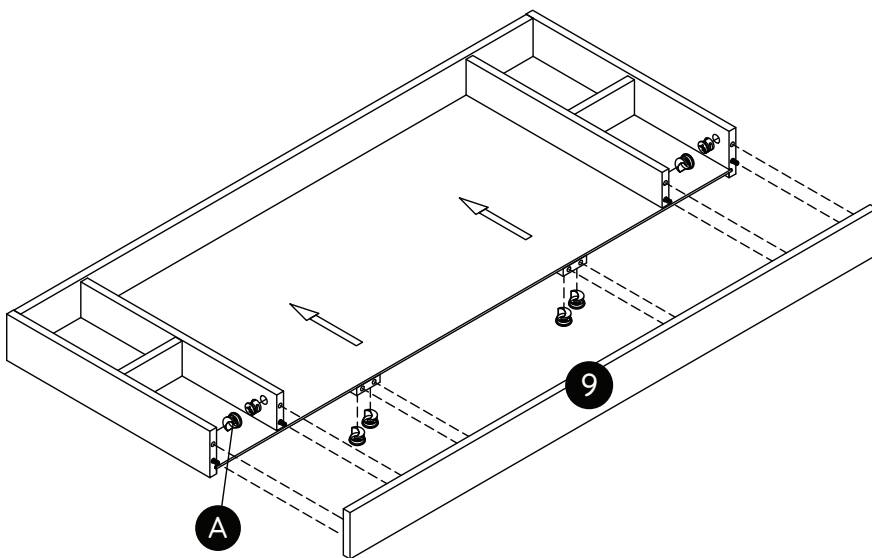
5

B x8 



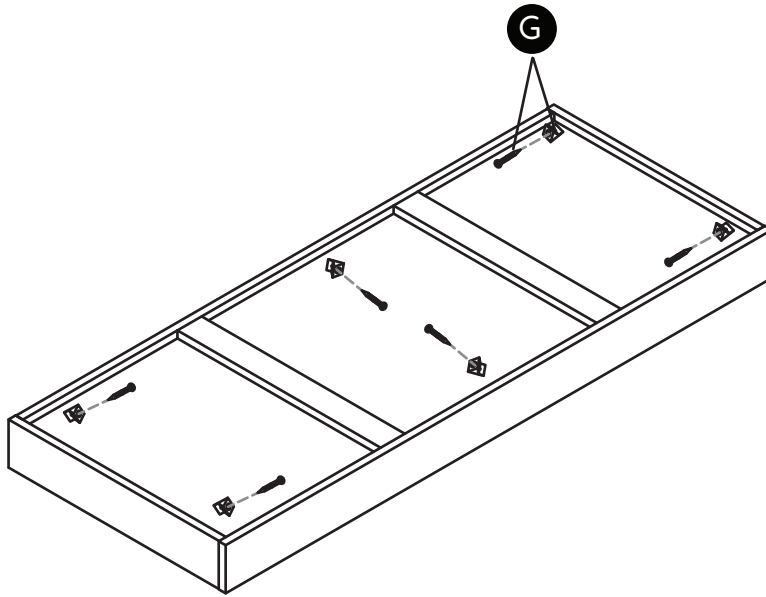
6

A x8 

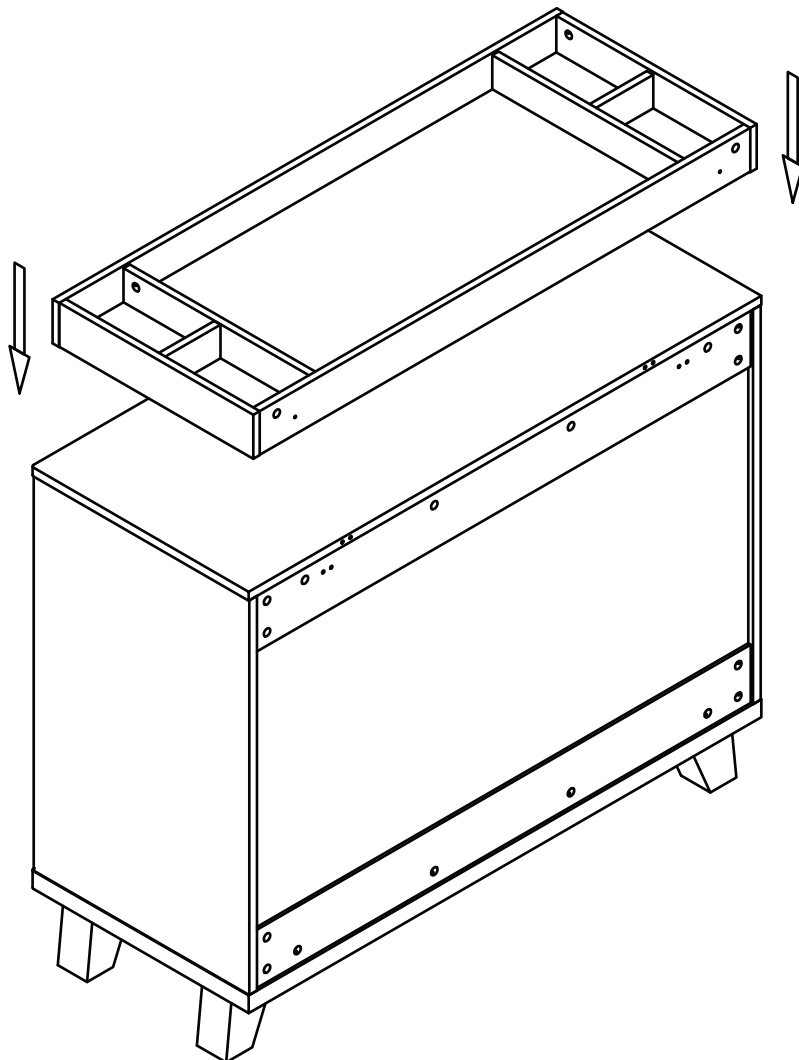


7

G



Put the plastic bracket insert if necessary

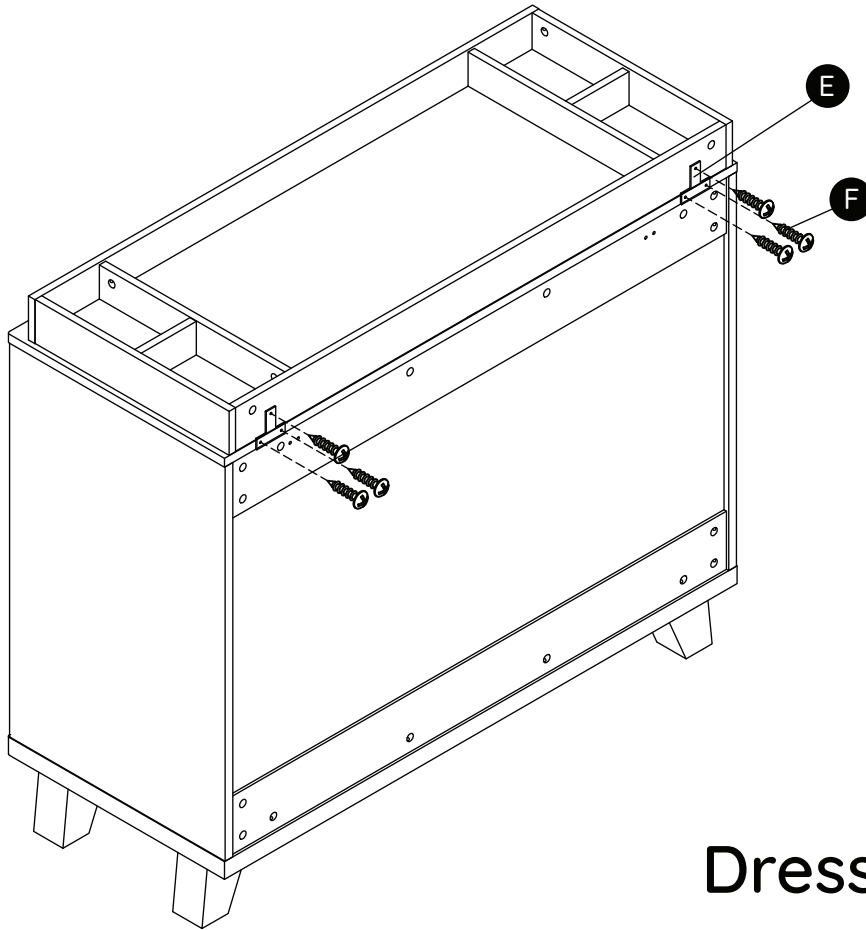


Dresser Back

8

E x2

F x6



Dresser Back

Finish



The recommended maximum weight of the occupant is 30 lb (13.6 kg) on the changing table.



WARNING

FALL HAZARD: Children have suffered serious injuries after falling from changing tables. Falls can happen quickly.

- STAY in arm's reach of your child.
- ALWAYS secure this product to the support surface using the provided hardware. See instructions.
- The support surface used should be level, stable, and structurally sound with minimum surface dimensions of 72" by 18.9" (120x48cm).
- The recommended changing pad dimensions are 32"-33" x 17" x 4".
- The maximum weight of the occupant is 30 lbs (13.6kg).

Care / Cleaning / Maintenance

- Regular care, cleaning, and maintenance will extend the life of your furniture.
- dadada furniture should not be exposed to direct sunlight, extreme temperatures, or moisture, as this can result in irreparable damage.
- In case of water splashes, remove water immediately and wipe.
- If cleaning is needed, use only a soft, clean cloth, lightly dampened with water.
- Never use abrasive agents or solvents.
- Do not scrub, scratch, or chip the finish.
- Limits of warranty: The use of cleaning agents such as chemicals, scouring powders, or other aggressive formulas can damage the furniture and will void the warranty.

Limited Warranty

- We guarantee this product for a period of 1 year from date of purchase.
- The warranty covers any product failure which may occur due to manufacturing fault.
- The warranty does NOT include normal wear and tear, or parts that are damaged due to incorrect installation and assembly, misuse, or neglect.
- The specific legal rights of this warranty may vary from state to state.
- Some states do not allow any exclusion or limitation of incidental damages.
- Some states do not allow limitation on how long an implied warranty lasts.



1-YEAR WARRANTY

dadada[®]

Customer Service

For any missing or faulty parts:

Please re-check your packaging to ensure that parts are missing, then contact our Customer Care team using the contact info below.

Our Care team will need the following information:

- Copy of your receipt
- Model number of the unit purchased
- Description/part number of the missing or faulty part
- Quantity of the parts needed

dadada Customer Care team contact information:

Website: dadadababy.com

Phone number: (800) 722-5798

Email address: service@dadadababy.com

follow us on instagram

@dadadababyusa

