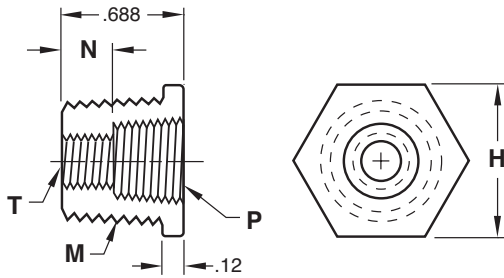
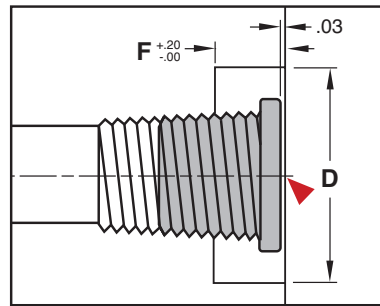




# INLET CASCADE™ CASCADE TUBE FITTING



## Installation Guidelines:

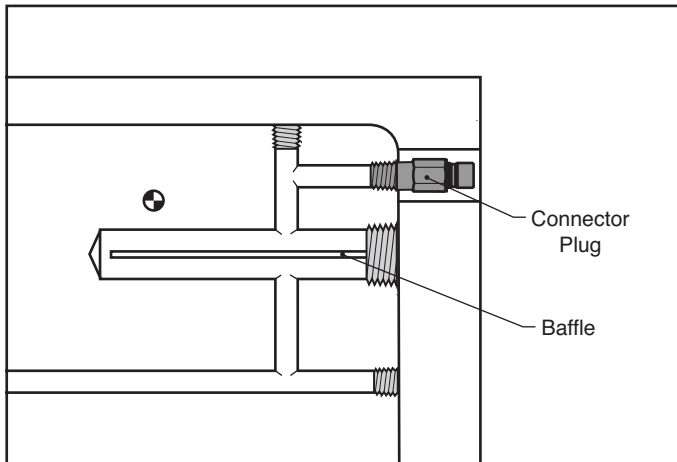


**M** 303 Stainless Steel **H** 18-22 HRC

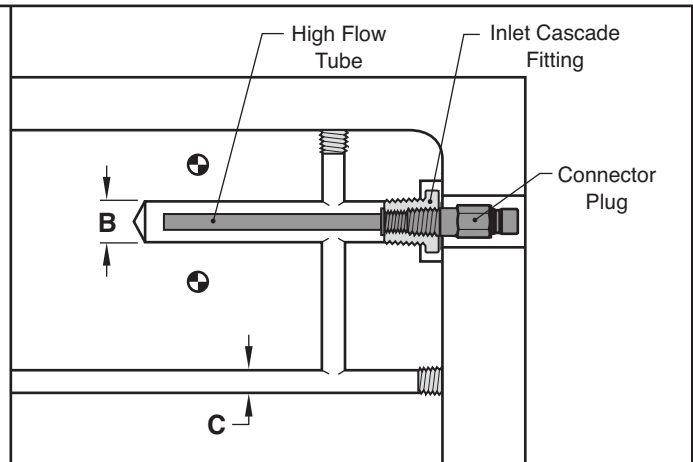
▶ CAD insertion point

CATALOG NUMBER	M Waterline NPT	P NPT	T Tube Thread	N	H Hex	D Hex Clearance	F Hex C'Bore	Compatible High Flow Tube	B Diameter	C Diameter	Recommended Connector Plug
CF25	1/4	1/8	5/16-24	.33	.56	1.00	.430	HFT250	7/16	5/16	251, 351
CF37	3/8	1/4	3/8-24	.24	.68	1.12	.430	HFT312	9/16	7/16	352
CF50	1/2	3/8	7/16-20	.24	.87	1.50	.330	HFT375	11/16	9/16	553

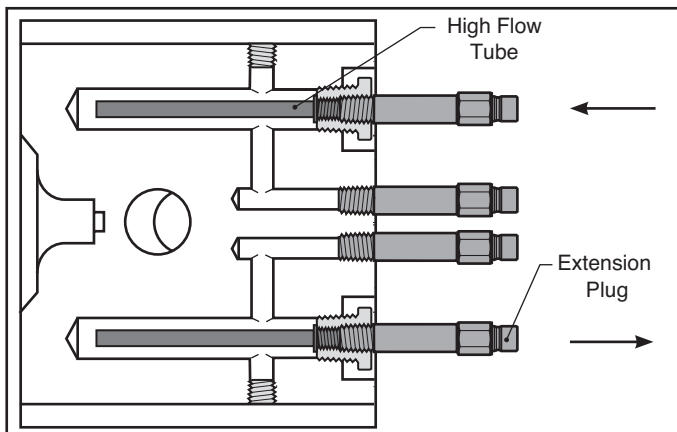
## Previous Method:



## Inlet Cascade Method:



## Slide Application:



The Inlet Cascade Fitting can be used when waterline space is limited, such as under a runner and between ejector pins or to provide a water circuit in a slide.

The Inlet Cascade Fitting attaches to standard tubes and Extension or Connector Plugs, eliminating the machining required for an extra "in" line to achieve consistent cooling.