

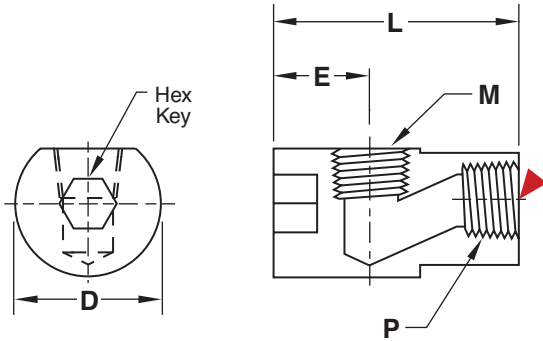


## HEX KEY ELBOWS



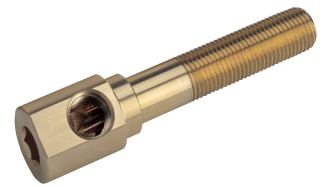
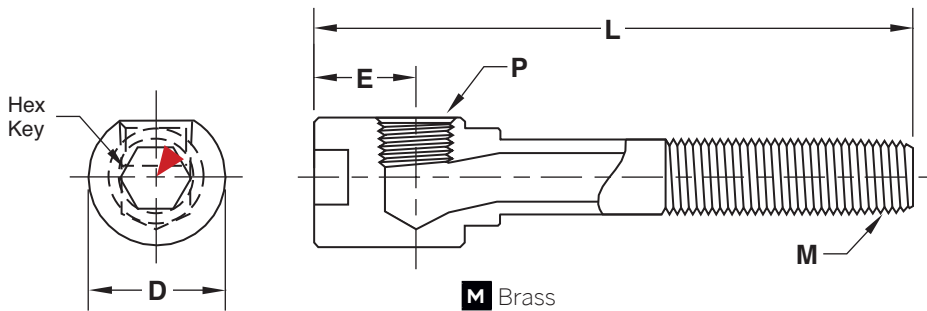
**M** Brass

▶ CAD insertion point



CATALOG NUMBER	M NPT	P NPT	Hex Key	L	D	E
HK1616	1/16	1/16	1/4	1.12	.552	.531
HK1818	1/8	1/8	5/16	1.25	.615	.580
HK1814	1/8	1/4	3/8	1.375	.860	.593
HK1414	1/4	1/4	3/8	1.50	.860	.660
HK3838	3/8	3/8	1/2	1.75	.985	.780
HK1438	1/4	3/8	1/2	1.625	.985	.712
HK1212	1/2	1/2	1/2	2.12	1.235	.940

## HEX KEY EXTENSION ELBOWS



**M** Brass

▶ CAD insertion point

### To Order:

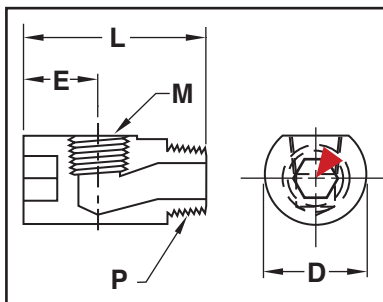
- Specify Prefix and length.  
Ex. HKEE1818L2.5 or HKEE1414L11.5
- Hex Key Extension Elbows can be ordered in any length in any quantity. Specify the catalog prefix with the required length. Ex. HKEE1414L3.75

CATALOG NUMBER	M Pipe NPT	P In/Out NPT	Hex Size	D	E	Available Overall Lengths (L)							
						2.5	4	5.5	7	8.5	10	11.5	13
HKEE1616	1/16	1/16	1/4	.552	.531	•	•	•	•	•	•	•	•
HKEE1818	1/8	1/8	5/16	.615	.580	•	•	•	•	•	•	•	•
HKEE1414	1/4	1/4	3/8	.860	.660	•	•	•	•	•	•	•	•
HKEE3838	3/8	3/8	1/2	.985	.780	•	•	•	•	•	•	•	•
HKEE1212	1/2	1/2	1/2	1.235	.940	•	•	•	•	•	•	•	•

## HEX KEY STREET ELBOWS

**M** Brass

▶ CAD insertion point



CATALOG NUMBER	M NPT	P NPT	Hex Size	L	D	E
HKL1616	1/16	1/16	1/4	1.156	.552	.531
HKL1618	1/16	1/8	5/16	1.218	.615	.531
HKL1818	1/8	1/8	5/16	1.312	.615	.580
HKL1814	1/8	1/4	3/8	1.500	.860	.593
HKL1414	1/4	1/4	3/8	1.625	.860	.660
HKL1438	1/4	3/8	1/2	1.625	.985	.712
HKL3838	3/8	3/8	1/2	1.750	.985	.780
HKL1212	1/2	1/2	1/2	2.250	1.235	.940

