

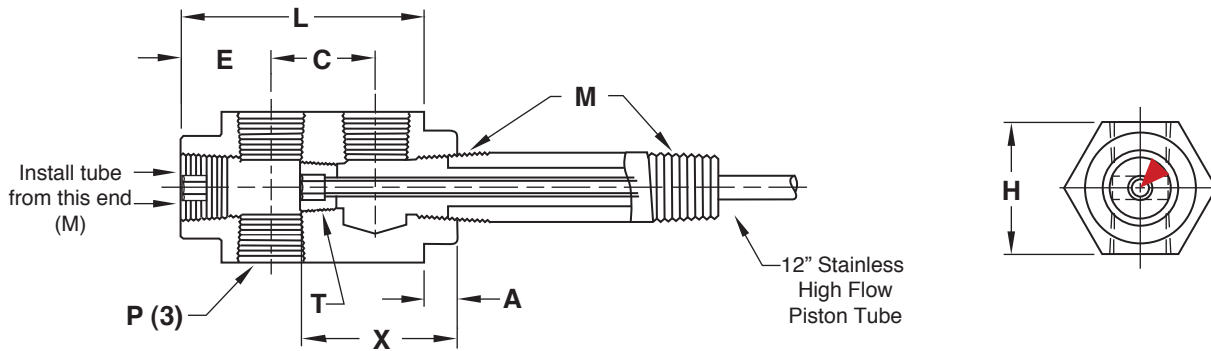
CASCADES

REAR LOADING NIPPLE



Progressive's Rear Loading Nipple type cascade provides the following benefits:

- Allows easy access to the High Flow Tube.
- Positive adjustment of inner tube at assembly.
- High flow design for maximum cooling rates.



M Head: Brass, Tube & Pipe Nipple: Stainless Steel, 2" Long Pipe Nipple: Stainless Steel

▶ CAD insertion point

CATALOG NUMBER	M Pipe NPT	P In/Out NPT	H Hex Size	E	C	A	L	Piston Tube Catalog # (Included)	T Tube Thread	X Tube End	HEAD ONLY CATALOG NUMBER
RLNC1618	1/8	1/16	3/4	.500	5/8	9/32	1.625	PT06-187L12	1/16	.93	RLCNH1618
RLNC1818	1/8	1/8	7/8	.609	11/16	9/32	1.960	PT06-187L12	1/16	1.08	RLCNH1818
RLNC18181	1/8	1/8	7/8	.609	1	9/32	2.218	PT06-187L12	1/16	1.39	RLCNH18181
RLNC1414	1/4	1/4	1	.781	1	7/16	2.562	PT12-250L12	1/8	1.44	RLCNH1414
RLNC1438	3/8	1/4	1	.781	1	7/16	2.562	PT25-312L12	1/4	1.50	RLCNH1438

Includes 12" long Piston Tube, 2" long Stainless Pipe Nipple.

Alternative configurations and materials available:

- For Cascade assemblies with a steel head, add an "S" to the end of the catalog number. Ex. RLNC1618S or RLNC18181S
- For Cascade Heads manufactured out of steel, add an "S" to the end of the head catalog number. Ex. RLCNH1618S or RLCNH18181S
- For complete Piston Tube specifications and longer lengths, refer to page E-16.