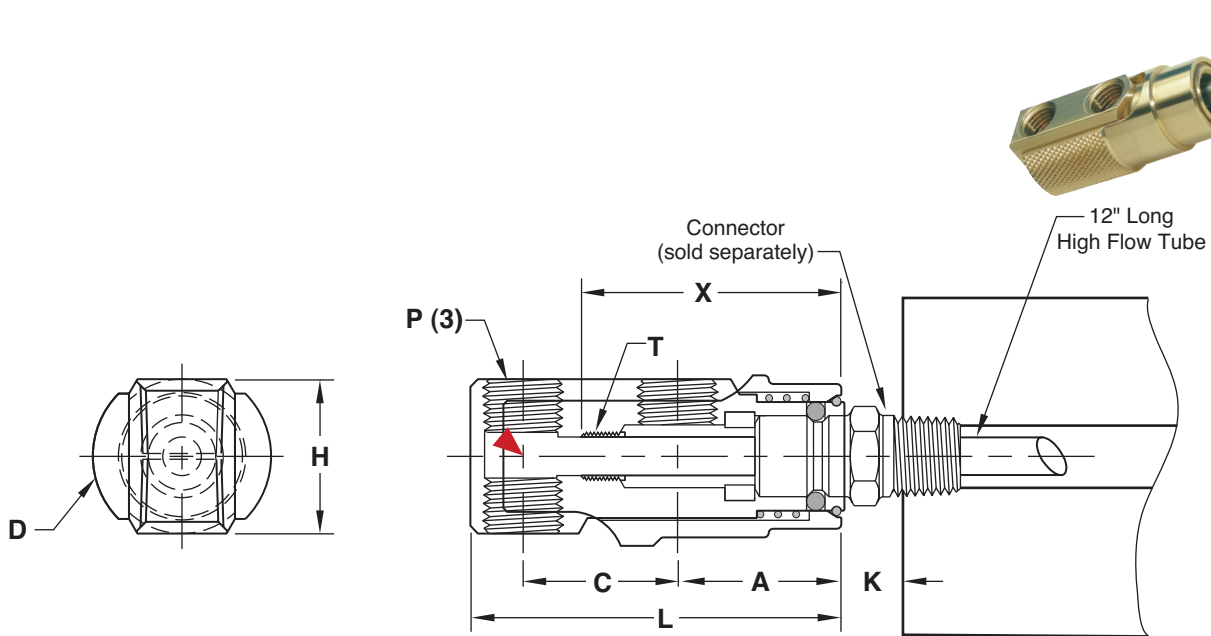




# CASCADES QUICK COUPLER



**M** Cascade Head: Brass, Tube: Stainless Steel, Seals: Viton

▶ CAD insertion point

CATALOG NUMBER	Connector Series	P Pipe Tap Size NPT	C	A	H	D	L	High Flow Tube Catalog # (Included)	T Tube Thread	X Tube End	HEAD ONLY CATALOG NUMBER
QC1819	200	1/8	.687	.968	.812	.875	1.937	HFT187L12	1/4-28	1.45	QCH1819
QC1822	200	1/8	1.000	.968	.812	.875	2.250	HFT187L12	1/4-28	1.54	QCH1822
QC1421	300	1/4	.687	1.156	1.000	1.125	2.187	HFT250L12	5/16-24	1.63	QCH1421
QC1425	300	1/4	1.000	1.156	1.000	1.125	2.500	HFT250L12	5/16-24	1.70	QCH1425
QC1431	500	1/4	1.250	1.375	1.250	1.375	3.125	HFT437L12	1/2-20	2.20	QCH1431
QC3831	500	3/8	1.250	1.375	1.250	1.375	3.125	HFT437L12	1/2-20	2.20	QCH3831

Longer High Flow Tubes and complete tube specifications can be found on page E-15.

CATALOG NUMBER	Connector	K Min.
QC1819 QC1822	251	.32
	252	.43
	253	.49
QC1421 QC1425	351*	.34
	352	.42
	353	.45
	354	.57
QC1431 QC3831	553**	.55
	554	.54
	556	.57

\* Uses High Flow Tube HFTJ187.  
 \*\* Uses High Flow Tube HFTJ375.