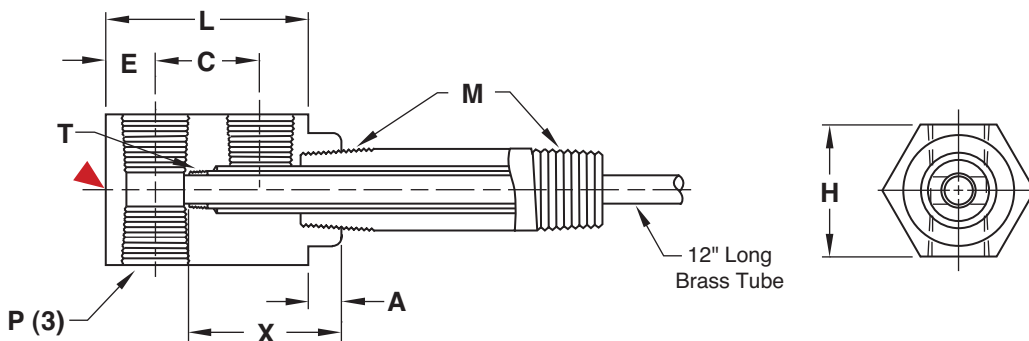


# CASCADES

## NIPPLE TYPE



**M** Head: Brass, Tube: Brass, 2" Long Pipe Nipple: Stainless Steel

▶ CAD insertion point

CATALOG NUMBER	M Pipe NPT	P In/Out NPT	H Hex Size	E	C	A	L	T	Brass Tube Catalog # (Included)	X Tube End	HEAD ONLY CATALOG NUMBER
<b>NC1816</b>	1/8	1/16	.75	.21	.50	.28	.937	#10-32	T187L12	.90	<b>NCH1816</b>
<b>NC1818</b>	1/8	1/8	.87	.32	.68	.28	1.343	#10-32	T187L12	1.06	<b>NCH1818</b>
<b>NC18181</b>	1/8	1/8	.87	.32	1.00	.28	1.656	#10-32	T187L12	1.18	<b>NCH18181</b>
<b>NC1418</b>	1/4	1/8	1.00	.32	.68	.21	1.343	1/4-28	T250L12	1.05	<b>NCH1418</b>
<b>NC1414</b>	1/4	1/4	1.00	.32	.68	.21	1.343	1/4-28	T250L12	1.80	<b>NCH1414</b>
<b>NC14181</b>	1/4	1/8	1.00	.32	1.00	.43	1.656	1/4-28	T250L12	1.44	<b>NCH14181</b>
<b>NC14141</b>	1/4	1/4	1.00	.32	1.00	.43	1.656	1/4-28	T250L12	1.44	<b>NCH14141</b>
<b>NC3818</b>	3/8	1/8	1.00	.34	1.00	.40	1.687	5/16-24	T312L12	1.44	<b>NCH3818</b>
<b>NC3814</b>	3/8	1/4	1.00	.34	1.00	.40	1.687	5/16-24	T312L12	1.44	<b>NCH3814</b>
<b>NC1214</b>	1/2	1/4	1.25	.40	1.00	.56	1.812	7/16-20	T437L12	1.80	<b>NCH1214</b>
<b>NC3438</b>	3/4	3/8	1.50	.50	1.25	.75	2.250	5/8-18	T625L12	2.20	<b>NCH3438</b>

Brass pipe plug included.

### Alternative configurations and materials available:

- Cascade Heads are available with thread sizes to accept High Flow Tubes. To order, specify -HFT at the end of the catalog number for Cascade assemblies or for Heads only. Ex. NC1818-HFT or NCH1818-HFT (Note: NC3438 is not available with the High Flow Tube option).
- Cascade heads are available manufactured from steel. To order, add an "S" to the end of the catalog number for Cascade assemblies or for Heads only. Ex. NC1818S or NCH1818S
- These Cascades can also be used with Adjustable Hex Nipples instead of Pipe Nipples. Refer to page E-28 for available sizes and lengths.
- For complete Tube specifications, refer to page E-16.