



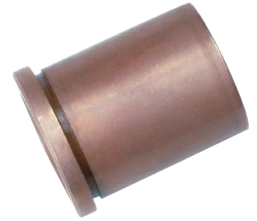
BUSHINGS SHOULDER STYLE

BRONZE PLATED SHOULDER BUSHINGS

M AISI 1026 **H** 22-28 HRC **S** Bronze Plated: .004" Deep

To order: Specify "SHB" in the prefix to replace "SAB" in the chart at left.
Example: SHB200L2.37 for 2" ID x 2.37 long bushings

Notes: Bronze plated shoulder bushings have internal grease grooves.
Grease entry hole to be machined by mold maker.
The bearing of the inner diameter is through, where the clearance "X" on the previous page does not apply.
Not available in 1/2" diameter.



GRAPHITE PLUGGED SHOULDER BUSHINGS

M CA954 with oil impregnated graphite plugs **H** 170 Brinell

To order: Specify "SGP" in the prefix to replace "SAB" in the chart at left.
Example: SGP200L2.37 for 2" ID x 2.37 long bushings

Notes: Graphite plugs are not compatible with grease.
Use a light 20 weight oil at startup to begin lubrication.
The bearing of the inner diameter is through, where the clearance "X" on the previous page does not apply.
Not available in 1/2" diameter.



STEEL SHOULDER BUSHINGS

M AISI 1117 **H** 58-62 HRC

To order: Specify "STL" in the prefix to replace "SAB" in the chart at left.
Example: STL200L2.37 for 2" ID x 2.37 long bushings

Notes: Steel (Hardened) shoulder bushings have internal grease grooves.
Grease entry hole to be machined by mold maker.
The bearing of the inner diameter is 2 x the ID, where the clearance "X" on the previous page does not apply.
Steel Bushings are available with Black Nitride treatment. To order, specify -BN at the end of the catalog number. Ex: STL200L5.87-BN.



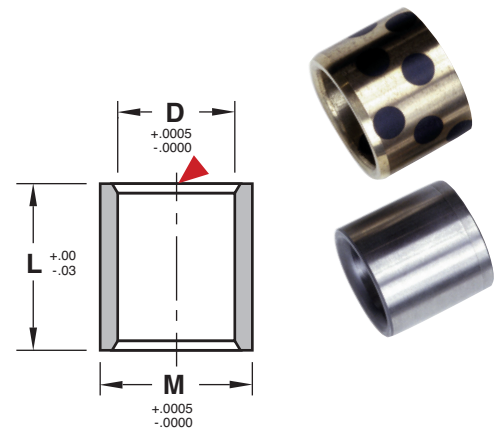
M Non-Plated Steel: AISI 1117 **H** 58-62 HRC

M Graphite Plugged: CA954 **H** 170 Brinell

CAD insertion point

Nominal Diameter	D +.0005 -.0000	M +.0005 -.0000	L +.00 -.03	CATALOG NUMBER STANDARD STEEL	CATALOG NUMBER GRAPHITE PLUGGED
1/2	.5005	.7505	7/8 1-3/8	STB50L.87 STB50L1.37	— —
3/4	.7505	1.1255	7/8 1-3/8	STB75L.87 STB75L1.37	STGP75L.87 STGP75L1.37
7/8	.8755	1.2505	1-3/8 1-1/2	STB87L1.37 —	— STGP87L1.50
1	1.0005	1.3755	1-3/8	STB100L1.37	STGP100L1.37
1-1/4	1.2505	1.6255	1-3/8 1-7/8	STB125L1.37 STB125L1.87	STGP125L1.37 STGP125L1.87
1-1/2	1.5005	2.0005	1-3/8 1-7/8	STB150L1.37 STB150L1.87	STGP150L1.37 STGP150L1.87
2	2.0005	2.5005	3-7/8	STB200L3.87	STGP200L3.87
2-1/2	2.5005	3.2505	4-7/8	STB250L4.87	STGP250L4.87

BUSHINGS STRAIGHT STYLE



Using grease will inhibit the function of the graphite plugs. Instead, use a light 20 weight oil at startup to begin lubrication.