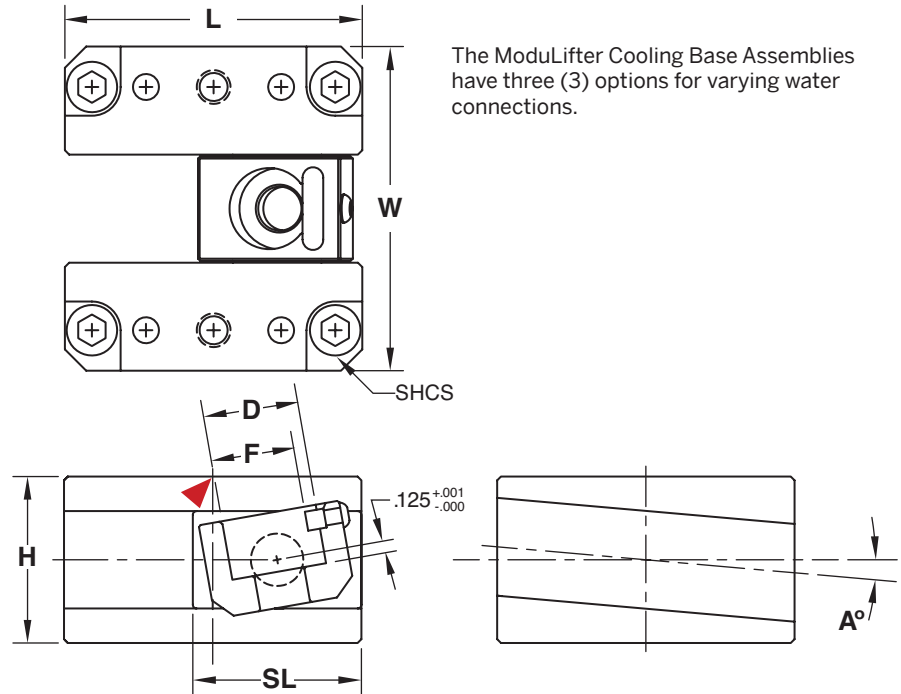
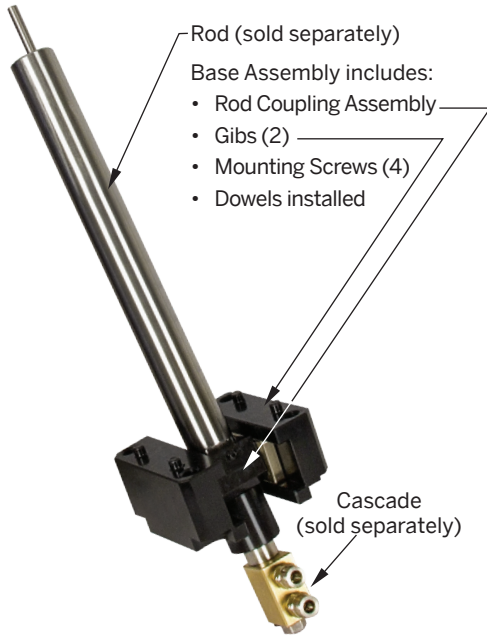


MODULIFTER™

COOLED BASE ASSEMBLY/LIFTER ROD



The ModuLifter Cooling Base Assemblies have three (3) options for varying water connections.

COOLED BASE ASSEMBLY

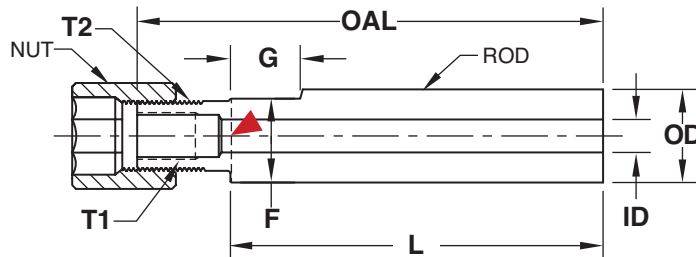
Gibs/Coupling: **M** 1045 **H** 28-32 HRC **S** Nitride Slides: **M** C86300 (Graphite Plugs if specified)

NOMINAL ROD DIAMETER	CATALOG NUMBER			L +.000 -.015	W +.000 -.002	H +.000 -.001	D +.0003 -.0000	F +.0015 -.0000	SHCS	SL	TRAVEL (L-SL)
	A = 0°	A = 5°	A = 10°								
5/8	MLCBA063	MLCBA063-5	MLCBA063-10	2.625	2.500	1.375	.6253	.5905	1/4-20 x 1-1/2	1.57	1.06
3/4	MLCBA075	MLCBA075-5	MLCBA075-10	2.750	3.000	1.750	.7503	.6905	5/16-18 x 2	1.57	1.18
1	MLCBA100	MLCBA100-5	MLCBA100-10	3.125	3.250	1.750	1.0003	.8755	5/16-18 x 2	1.77	1.35
1-1/4	MLCBA125	MLCBA125-5	MLCBA125-10	3.875	4.000	2.250	1.2503	1.1605	3/8-16 x 2-1/2	2.76	1.12
1-1/2	MLCBA150	MLCBA150-5	MLCBA150-10	4.750	4.250	2.500	1.5003	1.4005	3/8-16 x 2-3/4	3.15	1.60

Note: Includes (4) SHCS and (4) Dowels. For ModuLifter Base Assemblies with different Gib angles, contact tech@procomps.com. To order with Graphite Plugged Base, add GP to the part number as shown, Ex. MLCBAGPxxx.



COOLED LIFTER ROD



M 1045 **H** Core: 28-32 HRC, Surface: 56-58 HRC

OD +.0000 -.0003	CATALOG NUMBER	ID	OAL	L +.13 -.00	T1 Internal Thread	T2 External Thread	G +.03 -.00	F +.000 -.001
.625	MLCR063L14	.250	14.75	14	5/16-24	1/2-20	.56	.590
.750	MLCR075L16	.250	16.88	16	5/16-24	1/2-20	.68	.690
1.000	MLCR100L16	.375	17.00	16	1/2-20	3/4-20	.75	.875
1.250	MLCR125L18	.375	19.25	18	1/2-20	7/8-20	.94	1.160
1.500	MLCR150L18	.375	19.38	18	1/2-20	7/8-20	1.00	1.400

Note: Includes (1) Installation Nut. Replacement nuts are available; refer to the price list. For additional Cooled Lifter Rod lengths, contact tech@procomps.com.

