

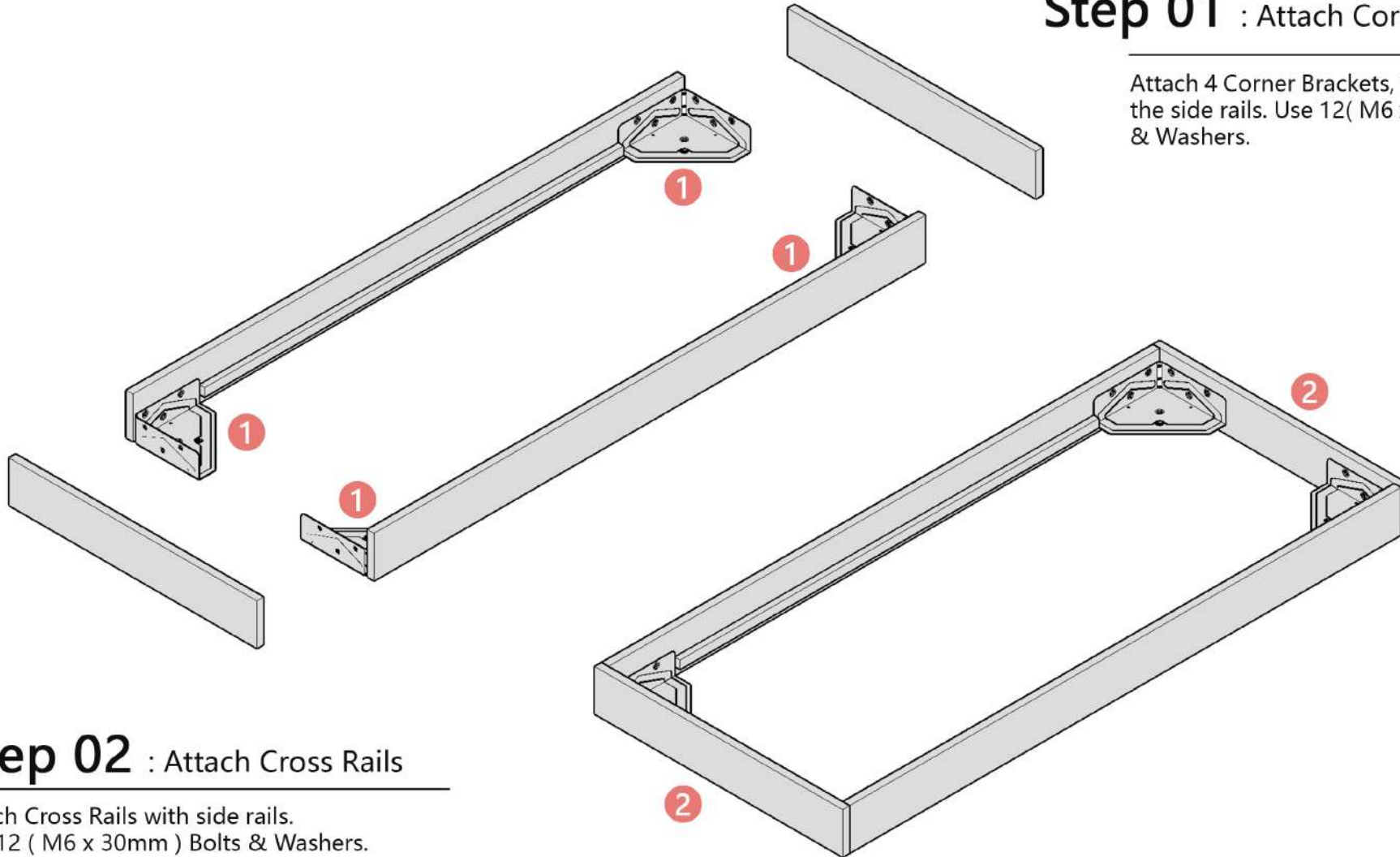
# Instructions

Single Row Fleming/Hempel Bed

HEADBOARDS LTD  
headboards.co.uk

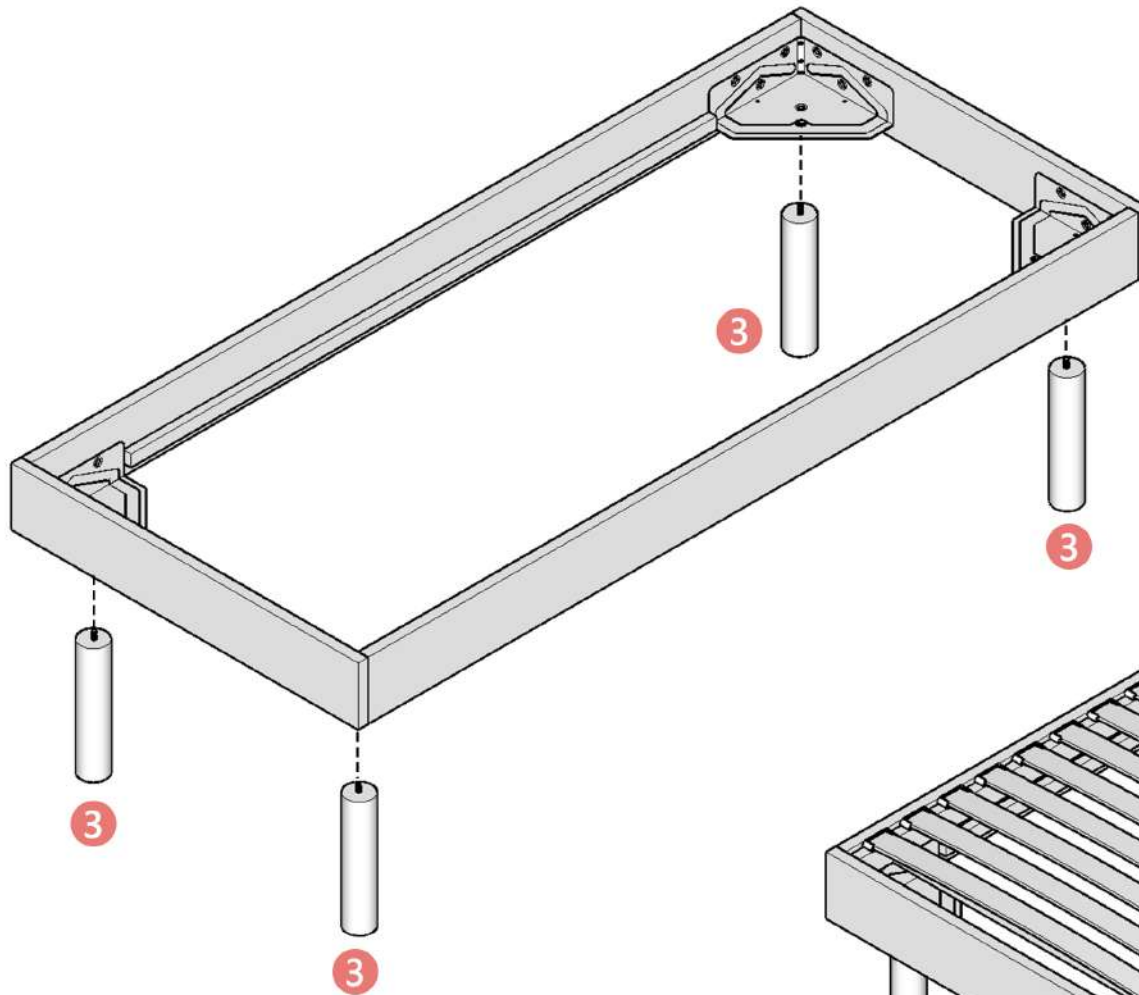
## Step 01 : Attach Corner Brackets

Attach 4 Corner Brackets, two on each of the side rails. Use 12 ( M6 x 30mm ) Bolts & Washers.



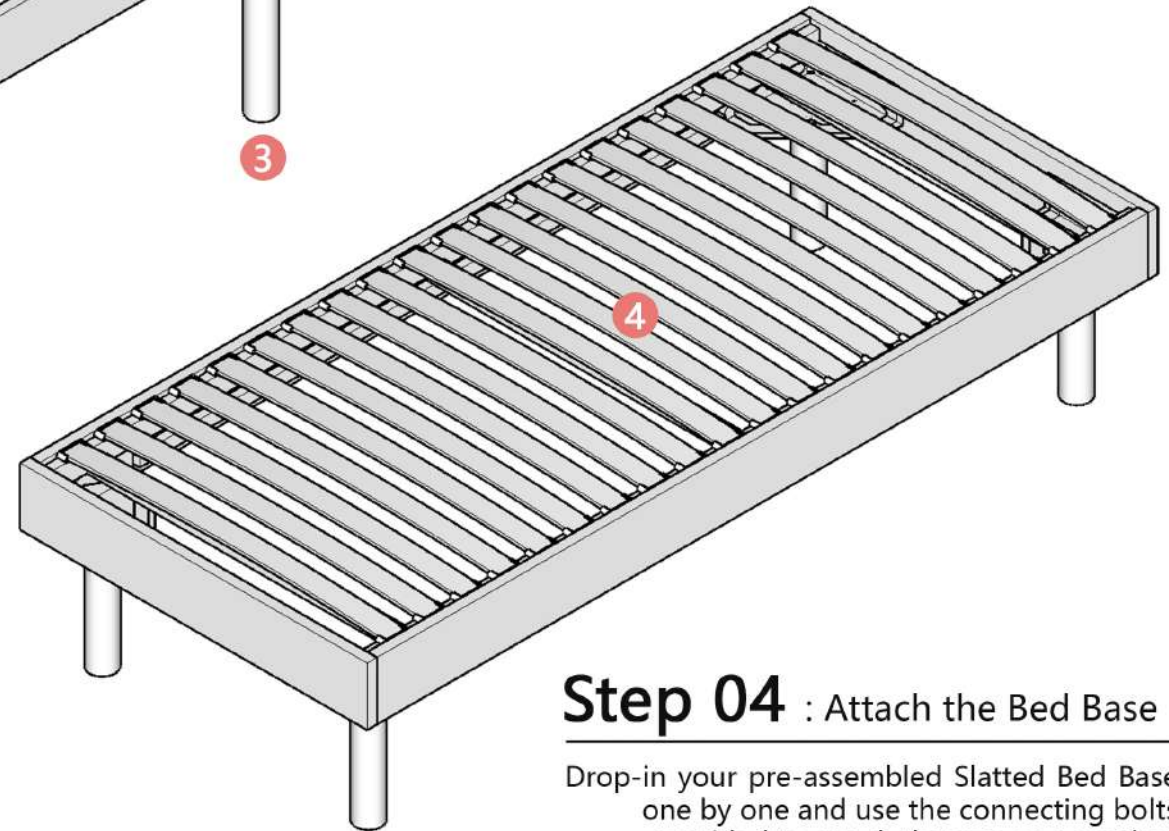
## Step 02 : Attach Cross Rails

Attach Cross Rails with side rails.  
Use 12 ( M6 x 30mm ) Bolts & Washers.



### Step 03 : Attach the Legs

- a. Attach All four Legs by using Nuts and Washers.
- b. Tighten the All Loosely Bolted Fixings of ( Step 1 & 2 ) Corner Brackets with Side Rails and Cross Rails as frame is settled now in gravitational force.



### Step 04 : Attach the Bed Base

Drop-in your pre-assembled Slatted Bed Base one by one and use the connecting bolts provided to attach them to one another.

Put the mattress on your Bed and you are ready to sleep.