



Product name

## Internal extractor

For extracting inner bearings, bearing outer rings and bushings.

Art. No. 21-6

Series 21

EAN 4021176011566



### Technical attribute

### Metric

### Imperial



Ball bearing ISO

6007; 6207; 6307;	6007; 6207; 6307;
6407; 16007; 61807;	6407; 16007; 61807;
61907; 6008; 6208;	61907; 6008; 6208;
6308; 6408; 16008;	6308; 6408; 16008;
61808; 61908; 6009;	61808; 61908; 6009;
6209; 6309; 6409;	6209; 6309; 6409;
16009; 61809;	16009; 61809;
61909	61909



Inner diameter of ball bearing

35 - 46 mm

1 3/8 - 1 7/8 inch



Effective depth

50 mm

2 inch



Length of internal extractor

113 mm

4 3/8 inch



Number of segments

2

2

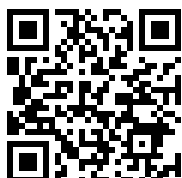


Weight

0.68 kg



has to be accomplished with



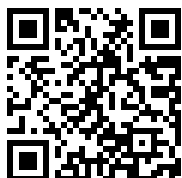
**Slide hammer device**

22-0-1



**Counterstay**

22-2



**Counterstay**

22-3



## Goes with

<b>Art. No.</b>	<b>Product name</b>
22-2	Counterstay
22-3	Counterstay

## Part of

<b>Art. No.</b>	<b>Product name</b>
24-A	Set of bearing pulling and extracting tools
24-B	Set of bearing pulling and extracting tools
24-C	Set of bearing pulling and extracting tools
25-A	Set of bearing extracting tools
25-B	Set of bearing extracting tools
25-C	Set of bearing extracting tools
28-C	Set of slide hammer and counterstays for extracting ball bearings and dowel-pins
28-D	Set of slide hammer and counterstays for extracting ball bearings and dowel-pins
WT-017	Puller product range - interior pulling - BASIC
WT-018	Puller product range - interior pulling - TOP
K-22-B	Ball bearing extracting set with counterstay and slide hammer
EVLW-2-INDUSTRIE	Display
EVLW-2-KFZ	Merchandiser, automotiv pullers



## Part of

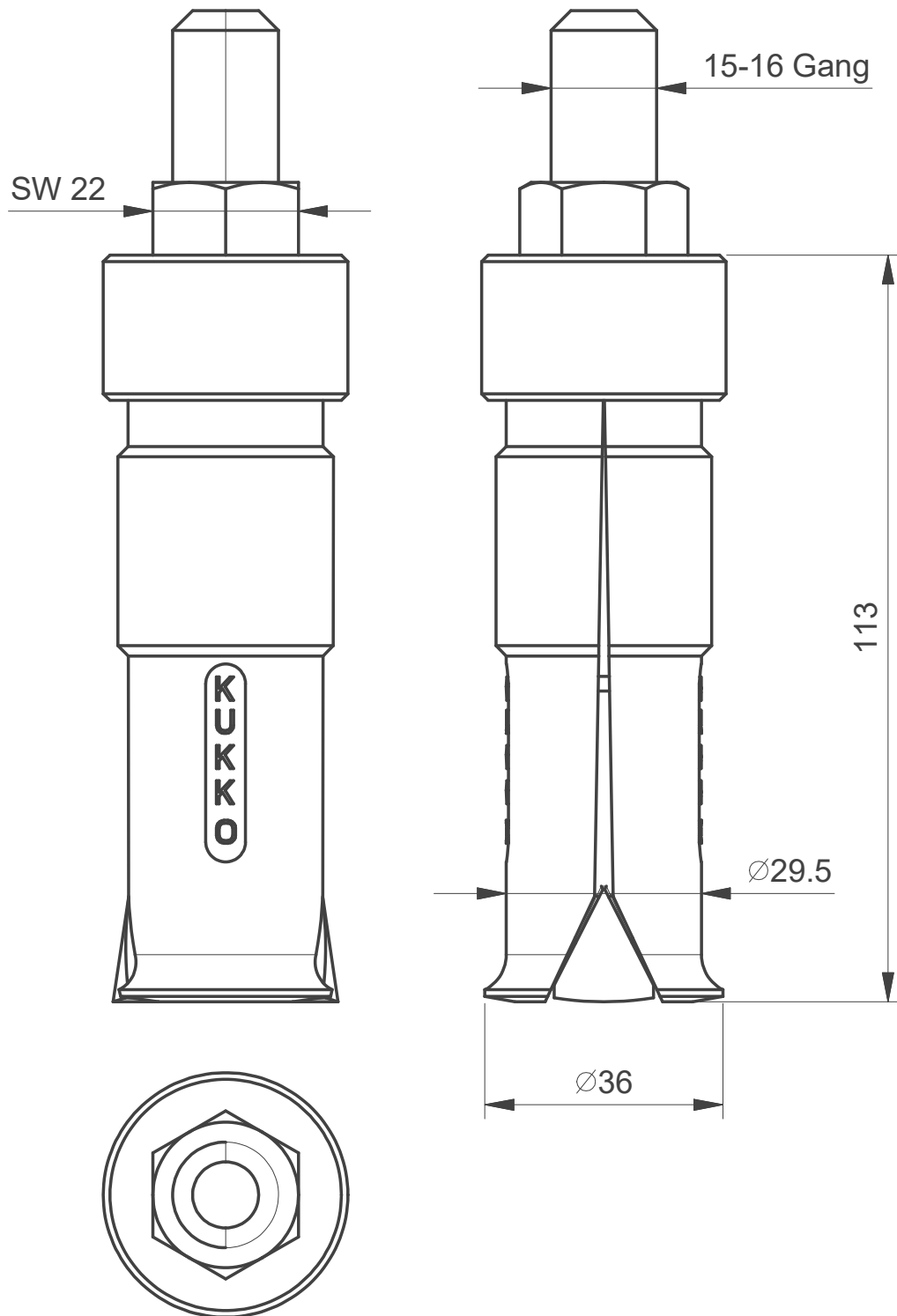
<b>Art. No.</b>	<b>Product name</b>
EVLW-2-NFZ	Merchandiser, automotive pullers / commercial vehicle / agricultural machinery
EVLW-INDUSTRIE BASIC	Display

## Spare part of

<b>Art. No.</b>	<b>Product name</b>
24-A	Set of bearing pulling and extracting tools
24-B	Set of bearing pulling and extracting tools
24-C	Set of bearing pulling and extracting tools
25-A	Set of bearing extracting tools
25-B	Set of bearing extracting tools
25-C	Set of bearing extracting tools

## Also included in

<b>Art. No.</b>	<b>Product name</b>
WT-018	Puller product range - interior pulling - TOP



 <b>Kleinbongartz &amp; Kaiser oHG</b> <b>Werkzeugfabrik Hilden - Germany</b>	Dokumentname: <b>21-6 Innenauszieher</b>		Toleranz: <b>DIN ISO 2768-m</b>
	Dokumentbeschreibung: <b>Baugruppe</b>		Material: <b>Hochfester extra zäher Vergütungsstahl/ High tensile strength and toughness steel</b>
	Erstellt / Geprüft von: <b>Schultes</b>	Erstellungsdatum: <b>30/03/2015</b>	Maßstab: <b>1:1</b>
Teilbeschreibung: <b>Innenauszieher/ Internal extractor</b>		Wärmebehandlung / Härte: <b>vergüteter Stahl/ tempered steel</b>	
		Oberflächenbehandlung:	
Artikelnummer / ZNR.: <b>21-6</b>	Dokumentversion: <b>-</b>	Schutzvermerk <b>ISO 16016 beachten</b>	