



Product name

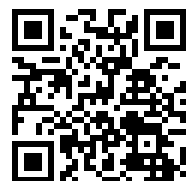
Internal extractor

For extracting inner bearings, bearing outer rings and bushings.

Art. No. 21-2

Series 21

EAN 4021176010996



Technical attribute

Metric

Imperial



Ball bearing ISO

6002; 6202; 6302;	6002; 6202; 6302;
6802; 6902; 16002;	6802; 6902; 16002;
61802; 61902; 6003;	61802; 61902; 6003;
6203; 6303; 6403;	6203; 6303; 6403;
6803; 6903; 16003;	6803; 6903; 16003;
61803; 61903	61803; 61903



Inner diameter of ball bearing

14 - 19 mm

5/8 - 3/4 inch



Effective depth

27 mm

1 1/16 inch



Length of internal extractor

72 mm

2 7/8 inch



Number of segments

2

2



Weight

0.12 kg



has to be accomplished with



Slide hammer device

22-0



Counterstay

22-1



Accessories

Art. No.	Product name
21-V-0	Set of extensions for internal extractors

Goes with

Art. No.	Product name
22-1	Counterstay

Part of

Art. No.	Product name
24-A	Set of bearing pulling and extracting tools
24-B	Set of bearing pulling and extracting tools
24-C	Set of bearing pulling and extracting tools
25-K	Set of bearing extracting tools
25-A	Set of bearing extracting tools
25-B	Set of bearing extracting tools
25-C	Set of bearing extracting tools
28-A	Set of slide hammer for extracting ball bearings and dowel-pins
28-B	Set of slide hammer for extracting ball bearings and dowel-pins
28-C	Set of slide hammer and counterstays for extracting ball bearings and dowel-pins



Part of

Art. No.	Product name
28-D	Set of slide hammer and counterstays for extracting ball bearings and dowel-pins
WT-017	Puller product range - interior pulling - BASIC
WT-018	Puller product range - interior pulling - TOP
K-26-A	Set of bearing extracting tools
K-22-A	Ball bearing extracting set with counterstay and slide hammer
EVLW-2-INDUSTRIE	Display
EVLW-2-KFZ	Merchandiser, automotiv pullers
EVLW-2-NFZ	Merchandiser, automotive pullers / commercial vehicle / agricultural machinery
WT-1-INDUSTRIE	Puller product range - industrial
EVLW-INDUSTRIE BASIC	Display

Spare part of

Art. No.	Product name
24-A	Set of bearing pulling and extracting tools
24-B	Set of bearing pulling and extracting tools
24-C	Set of bearing pulling and extracting tools
25-K	Set of bearing extracting tools
25-A	Set of bearing extracting tools
25-B	Set of bearing extracting tools



Spare part of

Art. No.

Product name

25-C

Set of bearing extracting tools

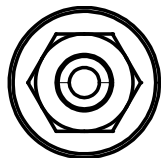
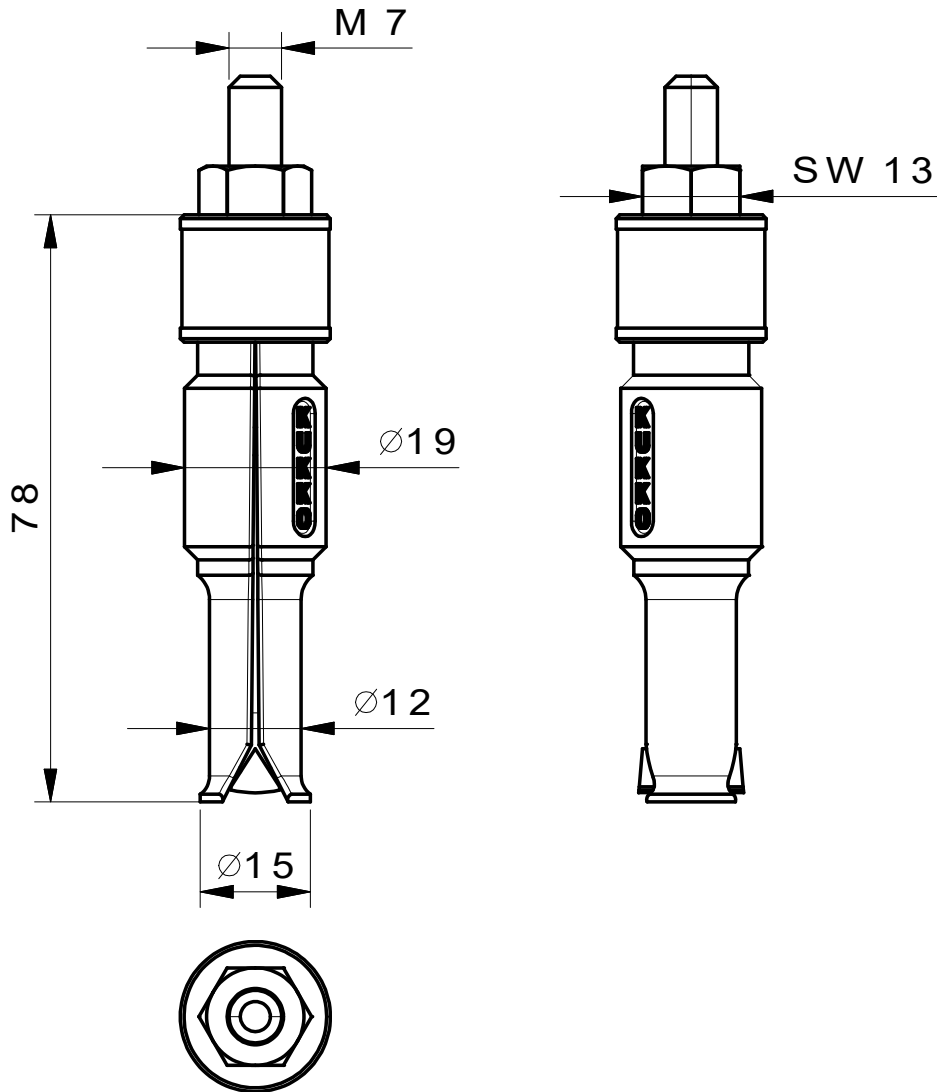
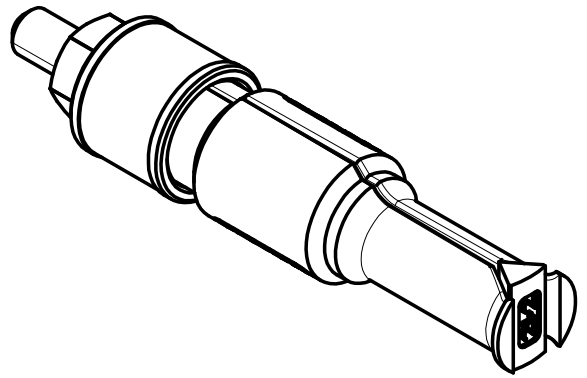
Also included in

Art. No.

Product name

WT-018

Puller product range - interior pulling - TOP



**Kleinbongartz
& Kaiser
oHG**
Werkzeugfabrik
Hilden - Germany

Dokumentname:
21-2 Innenauszieher

Toleranz:
DIN ISO 2768-m

Dokumentbeschreibung:
ZSB

Material:
Hochfester extra zäher Vergütungsstahl/
High tensile strength and toughness steel

Erstellt / Geprüft von:
Schultes

Erstellungsdatum:
05/06/2015

Maßstab:
1:1

Teilbeschreibung:
Innenauszieher/ Internal extractor

Wärmebehandlung / Härte:
vergüteter Stahl/ tempered steel

Oberflächenbehandlung:

Artikelnummer / ZNR.:
21-2

Dokumentversion:
-

Schutzvermerk
ISO 16016
beachten