



Product name

## Internal extractor

For extracting inner bearings, bearing outer rings and bushings.

Art. No. 21-1

Series 21

EAN 4021176010811



### Technical attribute

### Metric

### Imperial



Ball bearing ISO

6001; 6201; 6301;	6001; 6201; 6301;
6801; 6901; 16001;	6801; 6901; 16001;
16101; 61801;	16101; 61801;
61901; 62201;	61901; 62201;
62301; 6002; 6202;	62301; 6002; 6202;
6302; 6802; 6902;	6302; 6802; 6902;
16002; 61802;	16002; 61802;
61902	61902



Inner diameter of ball bearing

12 - 16 mm

1/2 - 5/8 inch



Effective depth

25 mm

1 inch



Length of internal extractor

72 mm

2 7/8 inch



Number of segments

2

2



Weight

0.11 kg

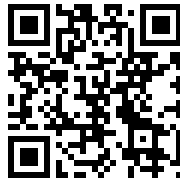


has to be accomplished with



**Slide hammer device**

22-0



**Counterstay**

22-1



## Goes with

<b>Art. No.</b>	<b>Product name</b>
22-1	Counterstay

## Part of

<b>Art. No.</b>	<b>Product name</b>
24-A	Set of bearing pulling and extracting tools
24-B	Set of bearing pulling and extracting tools
24-C	Set of bearing pulling and extracting tools
25-A	Set of bearing extracting tools
25-B	Set of bearing extracting tools
25-C	Set of bearing extracting tools
28-A	Set of slide hammer for extracting ball bearings and dowel-pins
28-B	Set of slide hammer for extracting ball bearings and dowel-pins
28-C	Set of slide hammer and counterstays for extracting ball bearings and dowel-pins
28-D	Set of slide hammer and counterstays for extracting ball bearings and dowel-pins
WT-017	Puller product range - interior pulling - BASIC
WT-018	Puller product range - interior pulling - TOP
EVLW-2-INDUSTRIE	Display
EVLW-2-KFZ	Merchandiser, automotiv pullers



## Part of

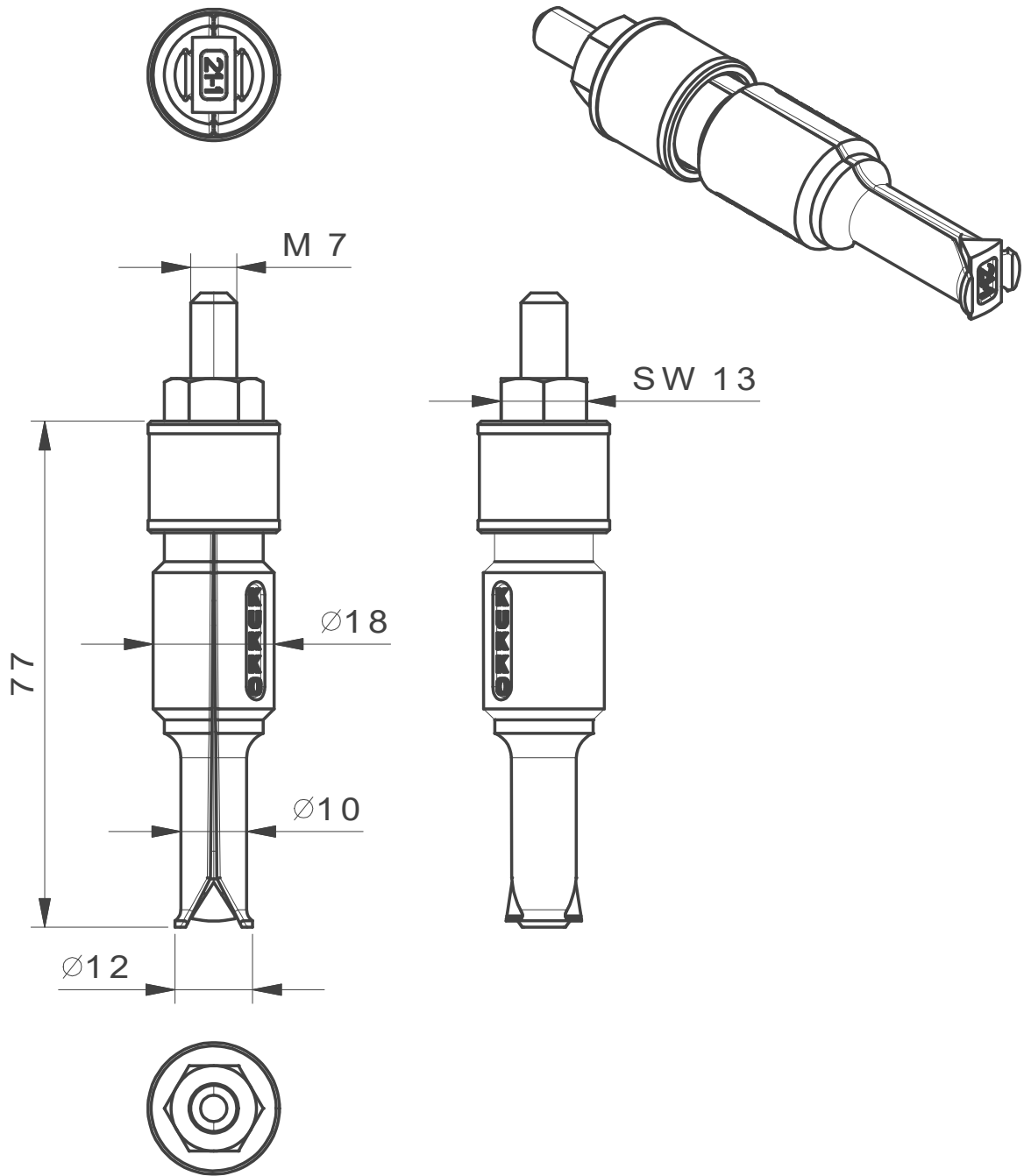
<b>Art. No.</b>	<b>Product name</b>
EVLW-2-NFZ	Merchandiser, automotive pullers / commercial vehicle / agricultural machinery
EVLW-INDUSTRIE BASIC	Display

## Spare part of

<b>Art. No.</b>	<b>Product name</b>
24-A	Set of bearing pulling and extracting tools
24-B	Set of bearing pulling and extracting tools
24-C	Set of bearing pulling and extracting tools
25-A	Set of bearing extracting tools
25-B	Set of bearing extracting tools
25-C	Set of bearing extracting tools

## Also included in

<b>Art. No.</b>	<b>Product name</b>
WT-018	Puller product range - interior pulling - TOP



 <b>Kleinbongartz &amp; Kaiser oHG</b> Werkzeugfabrik Hilden - Germany	Dokumentname: 21-1 Innenauszieher		Toleranz: DIN ISO 2768-m
	Dokumentbeschreibung: ZSB		Material: Hochfester extra zäher Vergütungsstahl/ High tensile strength and toughness steel
	Erstellt / Geprüft von: Schultes	Erstellungsdatum: 05/06/2015	Maßstab: 1:1
Teilbeschreibung: Innenauszieher/ Internal extractor		Wärmebehandlung / Härte: vergüteter Stahl/ tempered steel	
		Oberflächenbehandlung:	
Artikelnummer / ZNR.: 21-1	Dokumentversion: -	Schutzvermerk ISO 16016 beachten	