



Product name

Separator with quick clamping pressure spindle

For removing ball bearings, roller bearings, inner races and other tight parts if there is not enough space to use pulling hooks.

Art. No. 17-3

Series 17

EAN 4021176008443



	Technical attribute	Metric	Imperial
	Diameter of the shaft	25 - 155 mm	1 - 6 1/8 inch
	Distance of side screw	155 mm	6 1/8 inch
	Weight	7.135 kg	
	Space below	0 mm	0 inch
	Space next to it	155 mm	6 1/8 inch
	Spread	25 - 25 mm	1 - 1 inch
	Depth	300 mm	11 7/8 inch

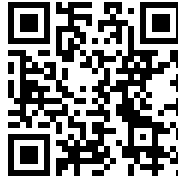


has to be accomplished with



Pulling device

18-3



**Hydraulic pulling
device(including
mechanical pressure screw)**

18-3-B



Spare part

Art. No.	Product name
17-3-T	Cross-beam
17-3-06	Spindle
621170	Mechanical pressure spindle.
017322	Side bolt with nut
621220	Mechanical pressure spindle.

Part of

Art. No.	Product name
17-C	Separating-set with quick clamping pressure spindle

Spare part of

Art. No.	Product name
17-C	Separating-set with quick clamping pressure spindle

SW 22

G 1/2"

KUKKO

17-3

KUKKO

210

36

KUKKO

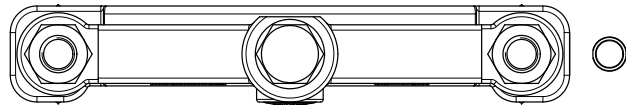
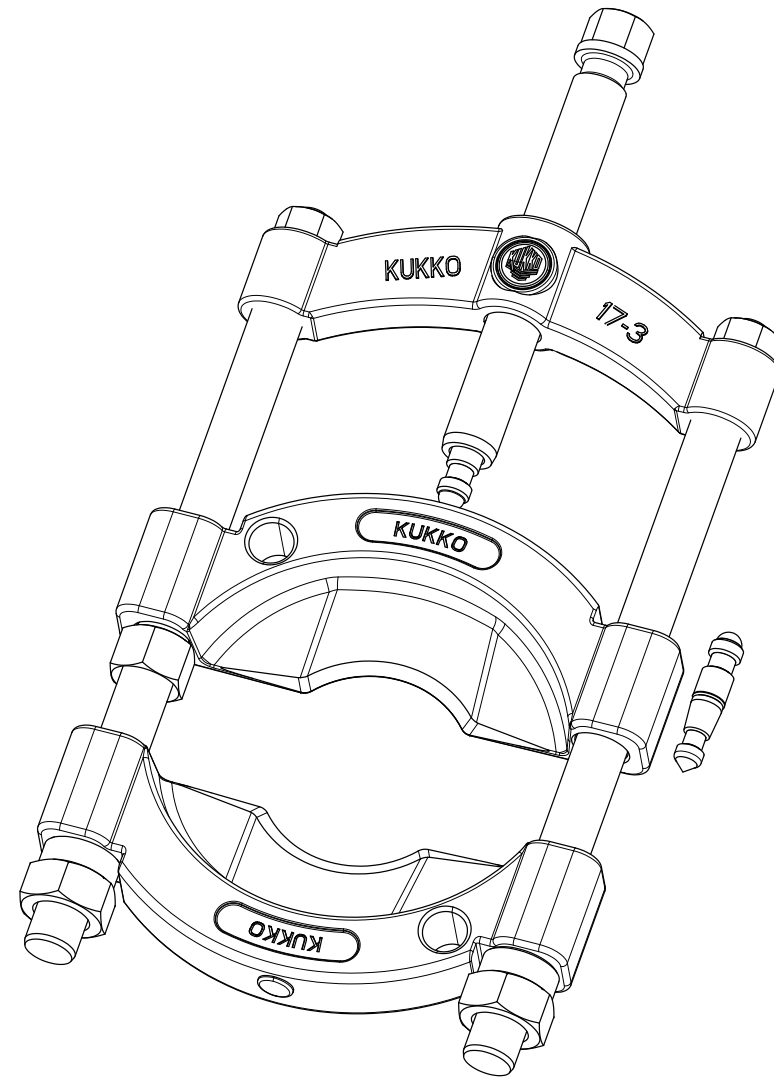
17-3

KUKKO

KUKKO

M 18x1.5

SW 32



 Kleinbongartz & Kaiser oHG Werkzeugfabrik Hilden - Germany	Dokumentnr.: 17-3 Trennvorrichtung mit Spindel	Toleranz: DIN ISO 2768-m
	Dokumentbeschreibung: Baugruppe	Material: Hoch legierter Werkzeugstahl / High alloy tool steel
Erweit. von: Schultes	Erstellungsdatum: 12/04/2016	Maßstab: 1:1
Teilbeschreibung: Trennvorrichtung mit Schnellspanndruckspindel / Separator with quick clamping pressure spindle		Wärmebehandlung / Härte: vergüteter Stahl / tempered steel
Artikelnummer / ZNR.: 17-3	Dokumentversion: -	Schutzvermerk: ISO 16949 zertifiziert