



Product name

## Separator with quick clamping pressure spindle

For removing ball bearings, roller bearings, inner races and other tight parts if there is not enough space to use pulling hooks.

Art. No. 17-0

Series 17

EAN 4021176008108



	Technical attribute	Metric	Imperial
	Diameter of the shaft	8 - 60 mm	3/8 - 2 3/8 inch
	Distance of side screw	60 mm	2 3/8 inch
	Weight	0.95 kg	
	Space below	0 mm	0 inch
	Space next to it	60 mm	2 3/8 inch
	Spread	8 - 8 mm	3/8 - 3/8 inch
	Depth	150 mm	5 7/8 inch



has to be accomplished with



**Pulling device**

18-0



## Spare part

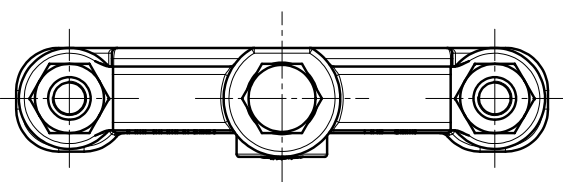
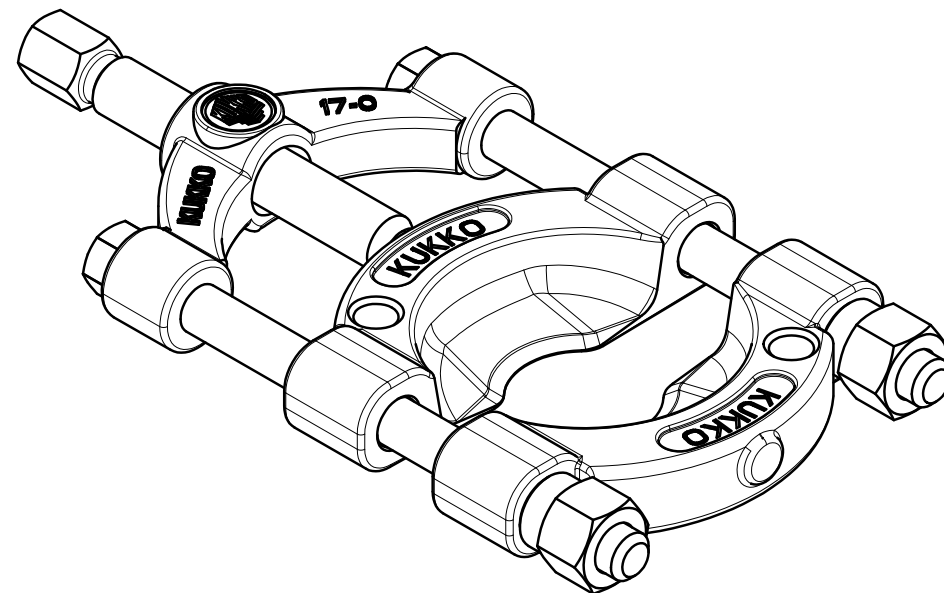
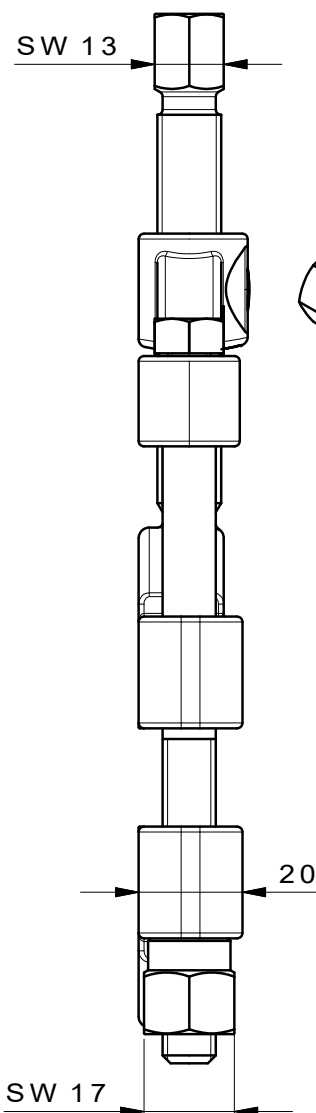
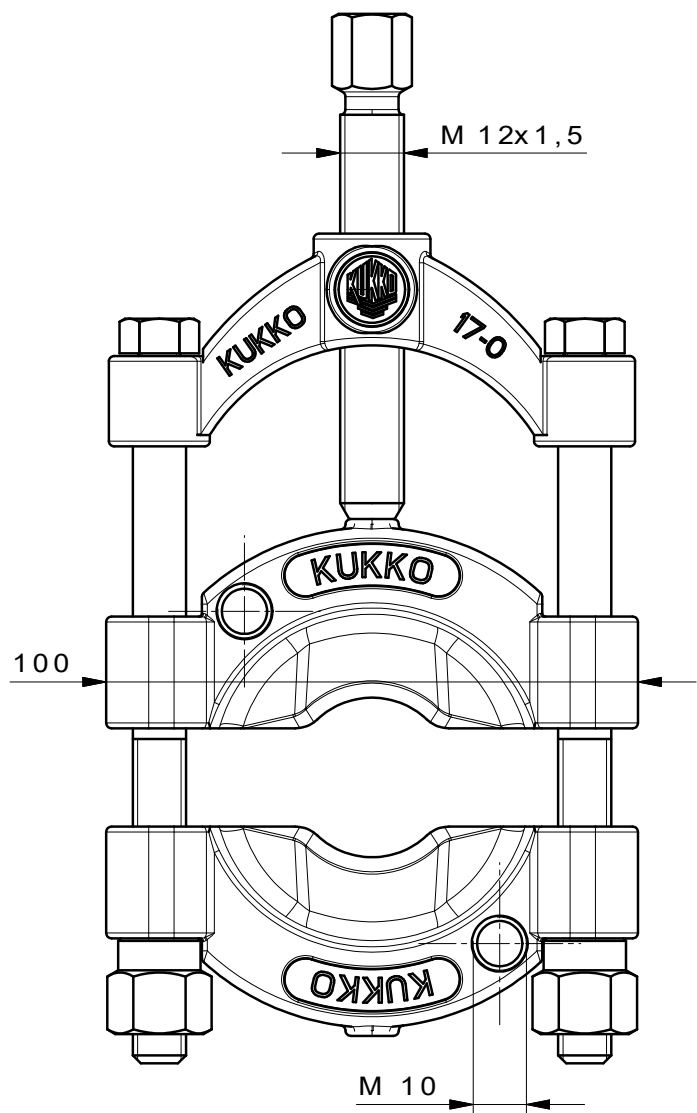
<b>Art. No.</b>	<b>Product name</b>
17-0-T	Cross-beam
17-0-06	Spindle
017140	Side bolt with nut

## Part of

<b>Art. No.</b>	<b>Product name</b>
17-K	Separating-set with quick clamping pressure spindle
EVLW-2-INDUSTRIE	Display
EVLW-INDUSTRIE BASIC	Display

## Spare part of

<b>Art. No.</b>	<b>Product name</b>
17-K	Separating-set with quick clamping pressure spindle



 <b>Kleinbongartz &amp; Kaiser oHG</b> Werkzeugfabrik Hilden - Germany	Dokumentname: 17-0_Trennvorrichtung mit Spindel	Toleranz: DIN ISO 2768-m
	Dokumentbeschreibung: Baugruppe	Material: Hoch legierter Werkzeugstahl / High alloy tool steel
Erstellt von: Schultes	Erstellungsdatum: 11/04/2016	Maßstab: 1:1
Teilbeschreibung: Trennvorrichtung mit Schnellspanndruckspindel/ Separator with quick clamping pressure spindle		Wärmebehandlung / Härte: vergüteter Stahl/ tempered steel
Oberflächenbehandlung:		Schutzvermerk ISO 16016 beachten
Artikelnummer / ZNR.: 17-0	Dokumentversion: -	