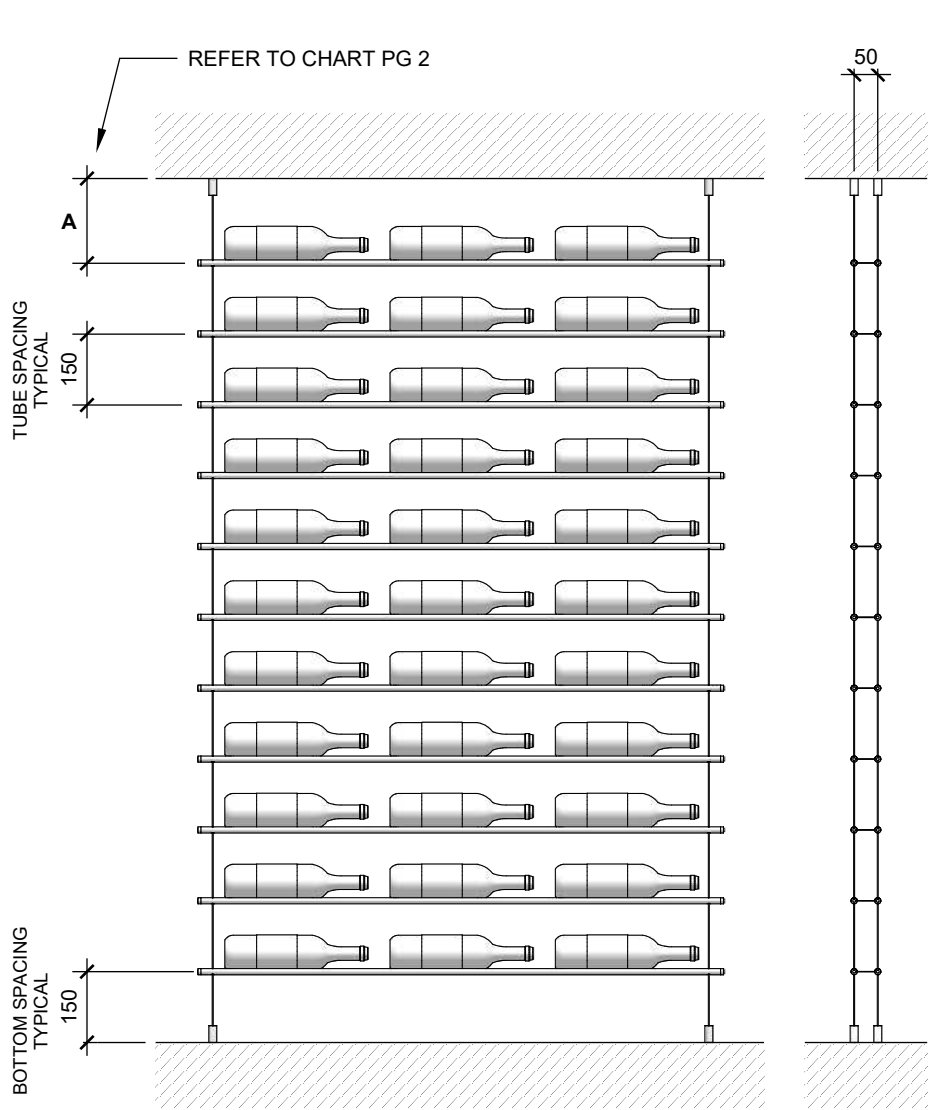


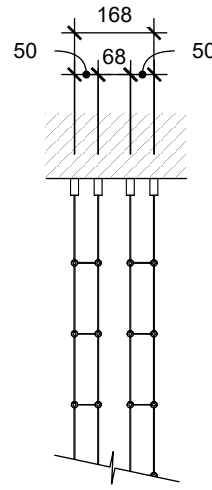
LABEL LINE WINE DISPLAY | TRIPLE WIDE

SPECIFICATION GUIDE

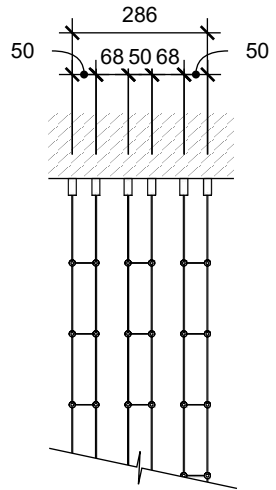


FRONT VIEW
1:16

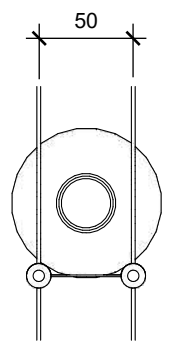
SINGLE DEEP SIDE VIEW
1:16



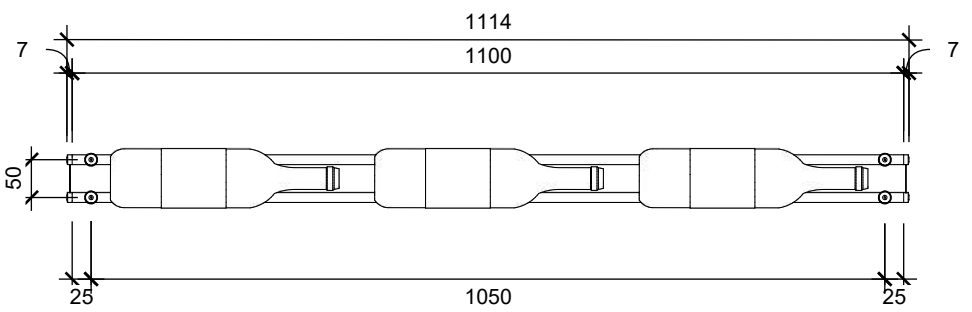
DOUBLE DEEP SIDE VIEW
1:16



TRIPLE DEEP SIDE VIEW
1:16



SIDE DETAIL
1:4



TOP VIEW
1:10



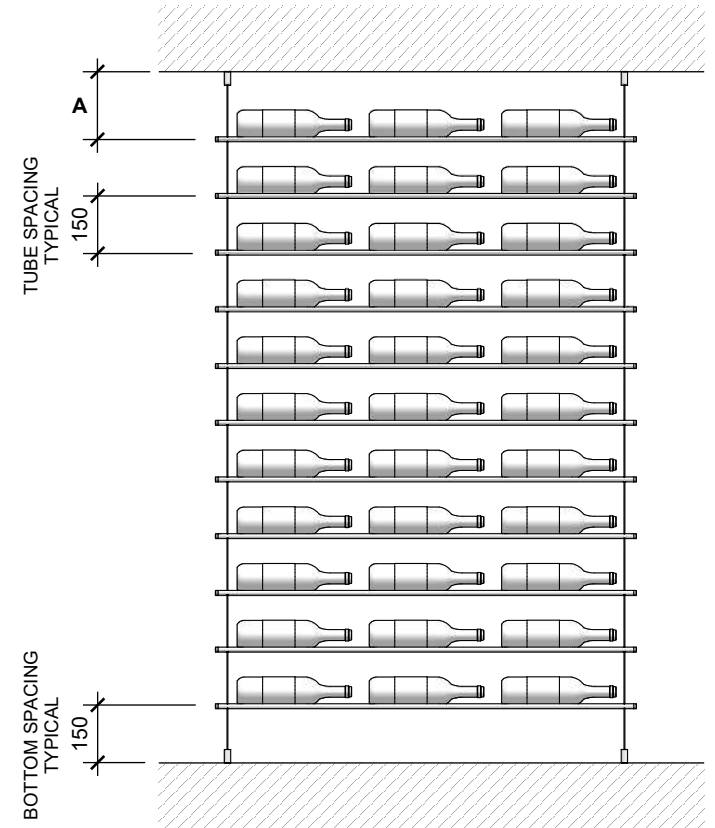
LABEL LINE WINE DISPLAY | TRIPLE WIDE

SPECIFICATION GUIDE

TRIPLE WIDE DENSITY 150mm TUBE SPACING

HEIGHT	SINGLE DEEP BOTTLES	DOUBLE DEEP BOTTLES	TRIPLE DEEP BOTTLES	A
6ft (1829mm)	33	66	99	179
6.5ft (1981mm)	36	72	108	181
7ft (2134mm)	39	78	117	184
7.5ft (2286mm)	42	84	126	186
8ft (2438mm)	45	90	135	188
8.5ft (2591mm)	48	96	144	191
9ft (2743mm)	51	102	153	193
9.5ft (2896mm)	54	108	162	196
10ft (3048mm)	57	114	171	198
10.5ft (3200mm)	60	120	180	200
11ft (3353mm)	63	126	189	203
11.5ft (3505mm)	66	132	198	205
12ft (3658mm)	69	144	207	208
12.5ft (3810mm)	72	150	216	210
13ft (3962mm)	75	156	225	212
13.5ft (4115mm)	78	162	234	215
14ft (4267mm)	81	168	243	217

spacing measurements in mm



TOTAL CABLE LENGTH

HEIGHT	6ft (1.82m)	6.5ft (1.98m)	7ft (2.13m)	7.5ft (2.28m)	8ft (2.43m)	8.5ft (2.59m)	9ft (2.74m)	9.5ft (2.89m)	10ft (3.04m)	10.5ft (3.20m)	
CABLE	SD	24ft (7.31m)	26ft (7.92m)	28ft (8.53m)	30ft (9.14m)	32ft (9.75m)	34ft (10.36m)	36ft (10.97m)	38ft (11.58m)	40ft (12.19m)	42ft (12.8m)
	DD	48ft (14.63m)	52ft (15.84m)	56ft (17.06m)	60ft (18.28m)	64ft (19.50m)	68ft (20.72m)	72ft (21.94m)	76ft (23.16m)	80ft (24.38m)	84ft (25.60m)
	TD	72ft (21.94m)	78ft (23.77m)	84ft (25.60m)	90ft (27.432m)	96ft (29.26m)	102ft (31.08m)	108ft (32.91m)	114ft (34.74m)	120ft (36.57m)	126ft (38.40m)

HEIGHT	11ft (3.35m)	11.5ft (3.50m)	12ft (3.65m)	12.5ft (3.81m)	13ft (3.96m)	13.5ft (4.11m)	14ft (4.26m)
CABLE	SD	44ft (13.41m)	46ft (14.02m)	48ft (14.63m)	50ft (15.24m)	54ft (16.45m)	56ft (17.06m)
	DD	88ft (26.82m)	92ft (28.04m)	96ft (29.26m)	100ft (30.48m)	104ft (31.69m)	108ft (32.91m)
	TD	132ft (40.23m)	138ft (42.06m)	144ft (43.89m)	150ft (45.72m)	156ft (47.54m)	162ft (49.37m)

total length does not include extra

SD = SINGLE DEEP
DD = DOUBLE DEEP
TD = TRIPLE DEEP