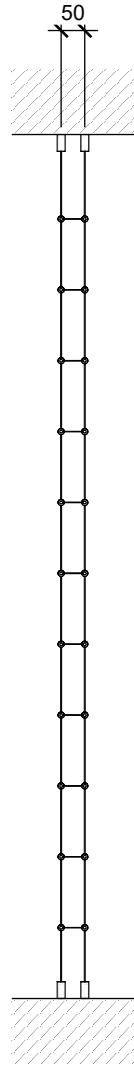
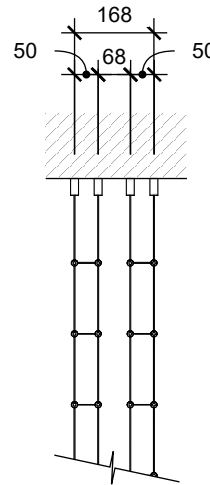


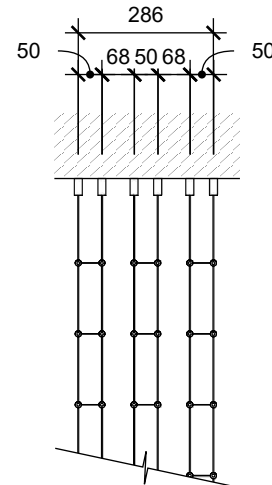
**FRONT VIEW**  
1:16



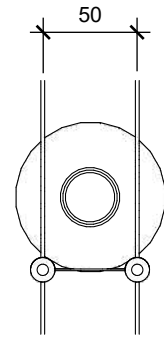
**SINGLE DEEP SIDE VIEW**  
1:16



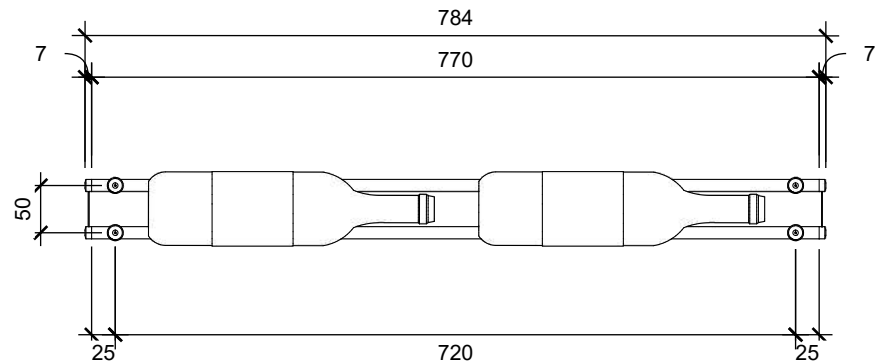
**DOUBLE DEEP SIDE VIEW**  
1:16



**TRIPLE DEEP SIDE VIEW**  
1:16



**SIDE DETAIL**  
1:4

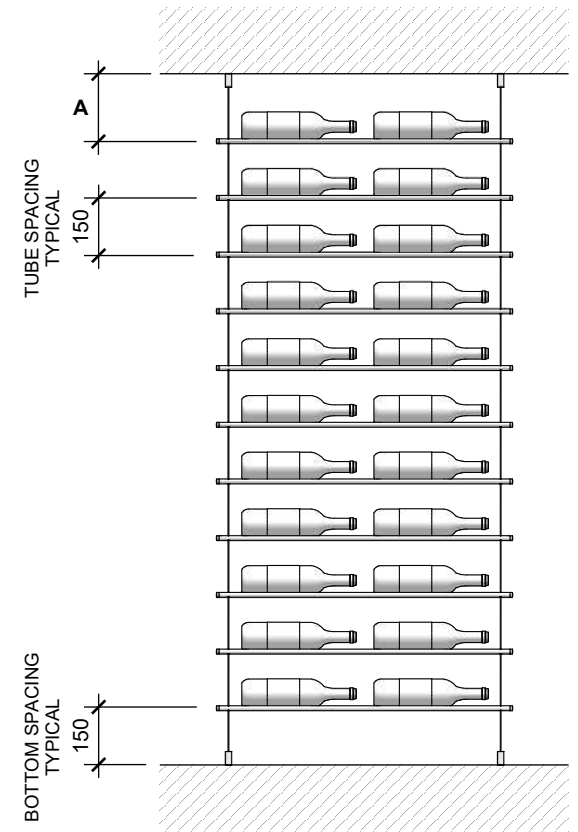


**TOP VIEW**  
1:8

### DOUBLE WIDE DENSITY 150mm TUBE SPACING

| HEIGHT          | SINGLE DEEP BOTTLES | DOUBLE DEEP BOTTLES | TRIPLE DEEP BOTTLES | A   |
|-----------------|---------------------|---------------------|---------------------|-----|
| 6ft (1829mm)    | 22                  | 44                  | 66                  | 179 |
| 6.5ft (1981mm)  | 24                  | 48                  | 72                  | 181 |
| 7ft (2134mm)    | 26                  | 52                  | 78                  | 184 |
| 7.5ft (2286mm)  | 28                  | 56                  | 84                  | 186 |
| 8ft (2438mm)    | 30                  | 60                  | 90                  | 188 |
| 8.5ft (2591mm)  | 32                  | 64                  | 96                  | 191 |
| 9ft (2743mm)    | 34                  | 68                  | 102                 | 193 |
| 9.5ft (2896mm)  | 36                  | 72                  | 108                 | 196 |
| 10ft (3048mm)   | 38                  | 76                  | 114                 | 198 |
| 10.5ft (3200mm) | 40                  | 80                  | 120                 | 200 |
| 11ft (3353mm)   | 42                  | 84                  | 126                 | 203 |
| 11.5ft (3505mm) | 44                  | 88                  | 132                 | 205 |
| 12ft (3658mm)   | 48                  | 96                  | 144                 | 208 |
| 12.5ft (3810mm) | 50                  | 100                 | 150                 | 210 |
| 13ft (3962mm)   | 52                  | 104                 | 156                 | 212 |
| 13.5ft (4115mm) | 54                  | 108                 | 162                 | 215 |
| 14ft (4267mm)   | 56                  | 112                 | 168                 | 217 |

spacing measurements in mm



### TOTAL CABLE LENGTH

| HEIGHT | 6ft (1.82m)   |                | 6.5ft (1.98m) |                | 7ft (2.13m)   |                | 7.5ft (2.28m) |                | 8ft (2.43m)   |                | 8.5ft (2.59m)  |                | 9ft (2.74m)    |                | 9.5ft (2.89m)  |                | 10ft (3.04m)   |                | 10.5ft (3.20m) |                |
|--------|---------------|----------------|---------------|----------------|---------------|----------------|---------------|----------------|---------------|----------------|----------------|----------------|----------------|----------------|----------------|----------------|----------------|----------------|----------------|----------------|
|        | SD            | DD             | SD            | DD             | SD            | DD             | SD            | DD             | SD            | DD             | SD             | DD             | SD             | DD             | SD             | DD             | SD             | DD             | SD             | DD             |
| CABLE  | 24ft (7.31m)  | 48ft (14.63m)  | 26ft (7.92m)  | 52ft (15.84m)  | 28ft (8.53m)  | 56ft (17.06m)  | 30ft (9.14m)  | 60ft (18.28m)  | 32ft (9.75m)  | 64ft (19.50m)  | 34ft (10.36m)  | 68ft (20.72m)  | 36ft (10.97m)  | 72ft (21.94m)  | 38ft (11.58m)  | 76ft (23.16m)  | 40ft (12.19m)  | 80ft (24.38m)  | 42ft (12.8m)   | 84ft (25.60m)  |
|        | 72ft (21.94m) | 144ft (43.89m) | 78ft (23.77m) | 156ft (48.17m) | 84ft (25.60m) | 168ft (51.81m) | 90ft (27.43m) | 180ft (54.91m) | 96ft (29.26m) | 192ft (58.06m) | 102ft (31.08m) | 204ft (61.18m) | 108ft (32.91m) | 216ft (64.31m) | 114ft (34.74m) | 228ft (67.43m) | 120ft (36.57m) | 240ft (70.56m) | 126ft (38.40m) | 252ft (73.68m) |
|        |               |                |               |                |               |                |               |                |               |                |                |                |                |                |                |                |                |                |                |                |

total length does not include extra

| HEIGHT | 11ft (3.35m)   |                | 11.5ft (3.50m) |                | 12ft (3.65m)   |                | 12.5ft (3.81m) |                | 13ft (3.96m)   |                | 13.5ft (4.11m) |                | 14ft (4.26m)   |                 |
|--------|----------------|----------------|----------------|----------------|----------------|----------------|----------------|----------------|----------------|----------------|----------------|----------------|----------------|-----------------|
|        | SD             | DD             | SD             | DD             | SD             | DD             | SD             | DD             | SD             | DD             | SD             | DD             | SD             | DD              |
| CABLE  | 44ft (13.41m)  | 88ft (26.82m)  | 46ft (14.02m)  | 92ft (28.04m)  | 48ft (14.63m)  | 96ft (29.26m)  | 50ft (15.24m)  | 100ft (30.48m) | 52ft (15.85m)  | 104ft (31.69m) | 54ft (16.45m)  | 108ft (32.91m) | 56ft (17.06m)  | 112ft (34.13m)  |
|        | 132ft (40.23m) | 264ft (80.46m) | 138ft (42.06m) | 276ft (84.09m) | 144ft (43.89m) | 288ft (87.72m) | 150ft (45.72m) | 300ft (91.35m) | 156ft (47.54m) | 312ft (94.98m) | 162ft (49.37m) | 324ft (98.61m) | 168ft (51.20m) | 336ft (102.23m) |
|        |                |                |                |                |                |                |                |                |                |                |                |                |                |                 |

SD = SINGLE DEEP  
DD = DOUBLE DEEP  
TD = TRIPLE DEEP