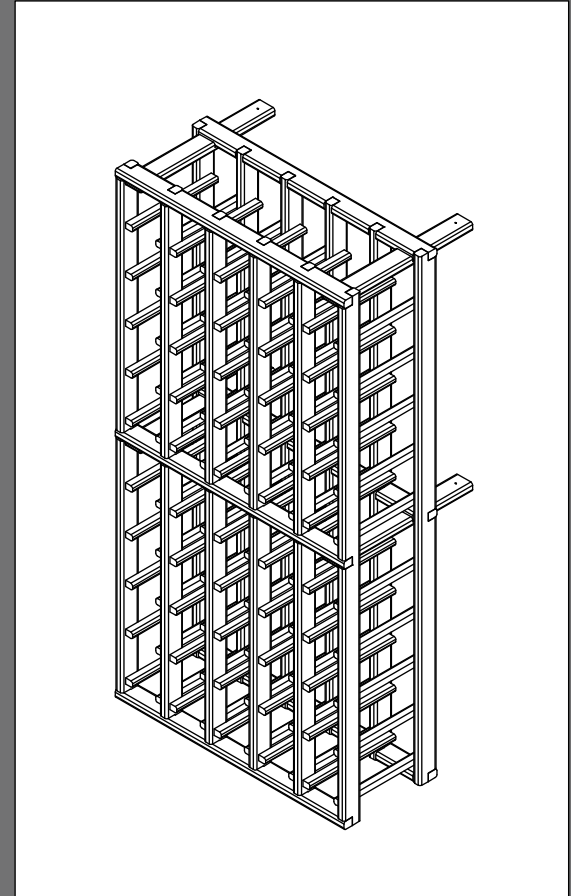




ASSEMBLY INSTRUCTIONS



FOR KIT RACKS:

- IB 16 32
- IB 32 32
- IB ICE 32
- IB 16 48
- IB 32 48
- IB ICE 48

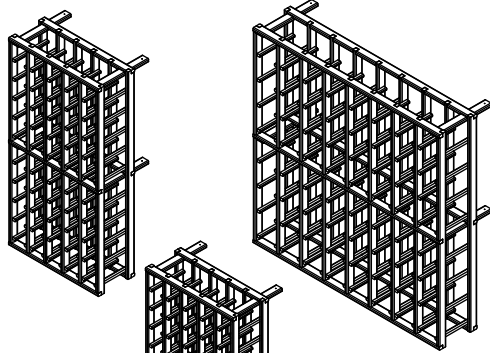
INTRODUCTION

Thank you for purchasing a KIT RACK by Genuwine Cellars. The following instructions will help you assemble kit number IB 16 32. The same procedure can be followed to assemble kits IB 16 48, IB 32 32, IB 32 48, IB ICE 32 and IB ICE 48 .

Please study the instructions carefully prior to starting the assembly.

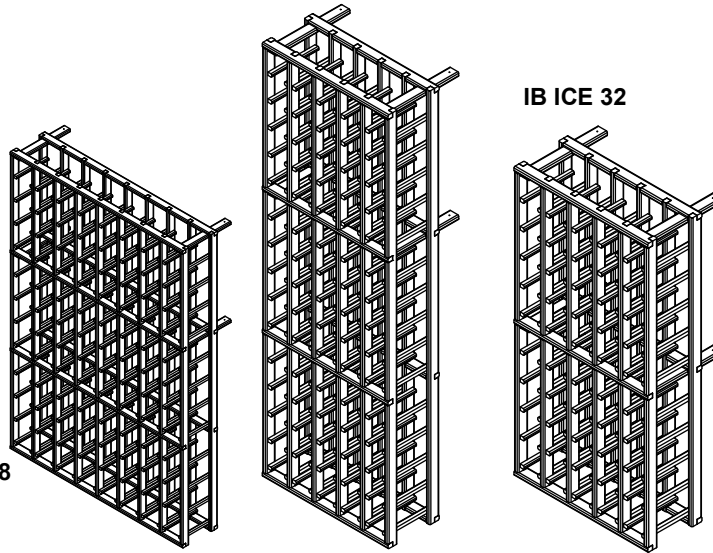
IB 16 32

IB 32 32



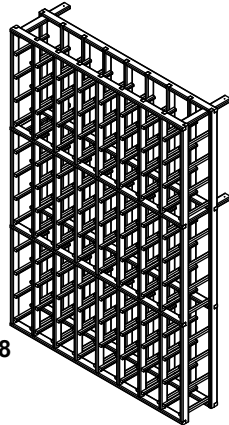
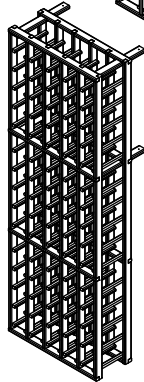
IB ICE 48

IB ICE 32



IB 16 48

IB 32 48

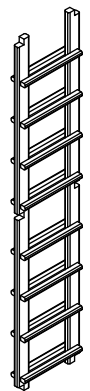


QUANTITY OF COMPONENTS PER KIT

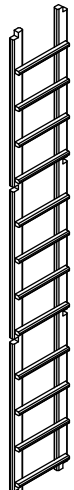
KIT NUMBER	COMPONENT			
	MID LADDER	SIDE LADDER	SPACER BAR	CLEAT
IB 16 32	3	2	6	4
IB 16 48	3	2	8	4
IB 32 32	7	2	6	4
IB 32 48	7	2	8	4
IB ICE 32	4	2	6	4
IB ICE 48	4	2	8	4

COMPONENTS

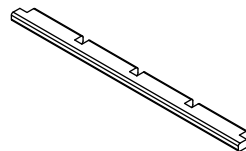
The following components are included in kit:



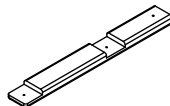
MIDDLE LADDERS



SIDE LADDERS



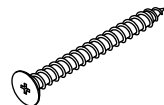
SPACER BARS
(size depends on kit purchased)



CLEATS

HARDWARE

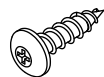
The following hardware and quantity is included in all kits:



•Philips Flathead 1 1/2"



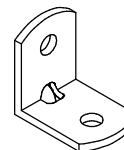
•Philips Flathead 1/2"



•Philips Panhead 5/8"



•DRYWALL ANCHORS (4)

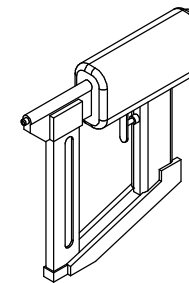


•ANGLED BRACKETS (4)

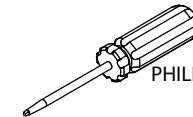
•GAUGE BRAD NAILS (3 SLEEVES)

TOOLS REQUIRED

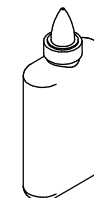
The following tools are required (NOT INCLUDED):



NAIL GUN
(with appropriate air compressor or electric nailer)
18 gauge brand nails (supplied)



PHILIPS HEAD SCREWDRIVER



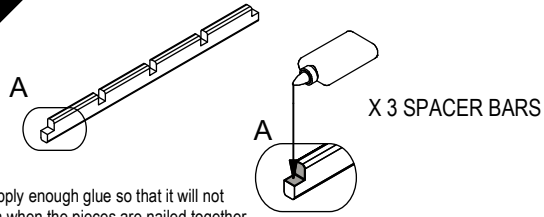
WOOD GLUE

IMPORTANT!
Always follow the manufacturer's instructions on how to use the nail gun to prevent injury. Genuwine Cellars is not liable for any injury incurred by any power or hand tool used to assemble the kit.

ASSEMBLY

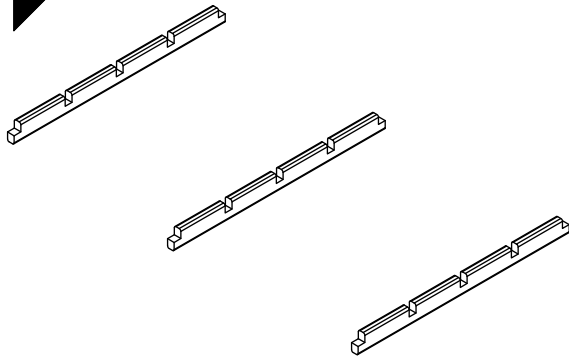
STEP 1

APPLY GLUE TO SPACER BAR NOTCHES



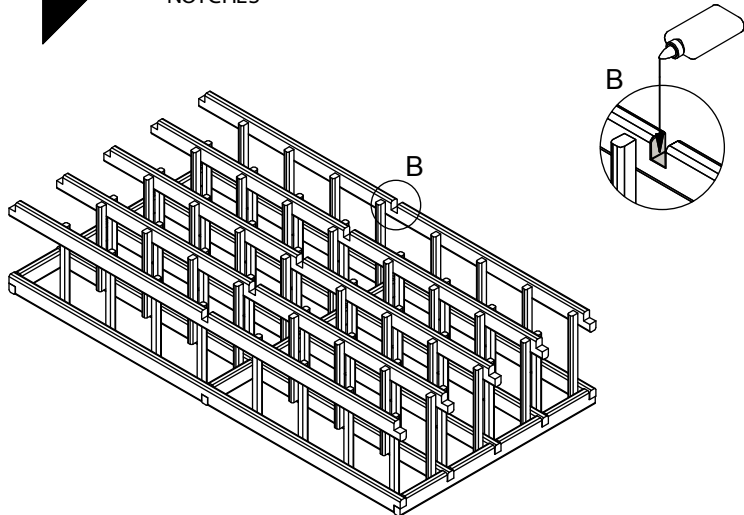
STEP 2

LAYOUT SPACER BARS WITH NOTCHES FACING UP



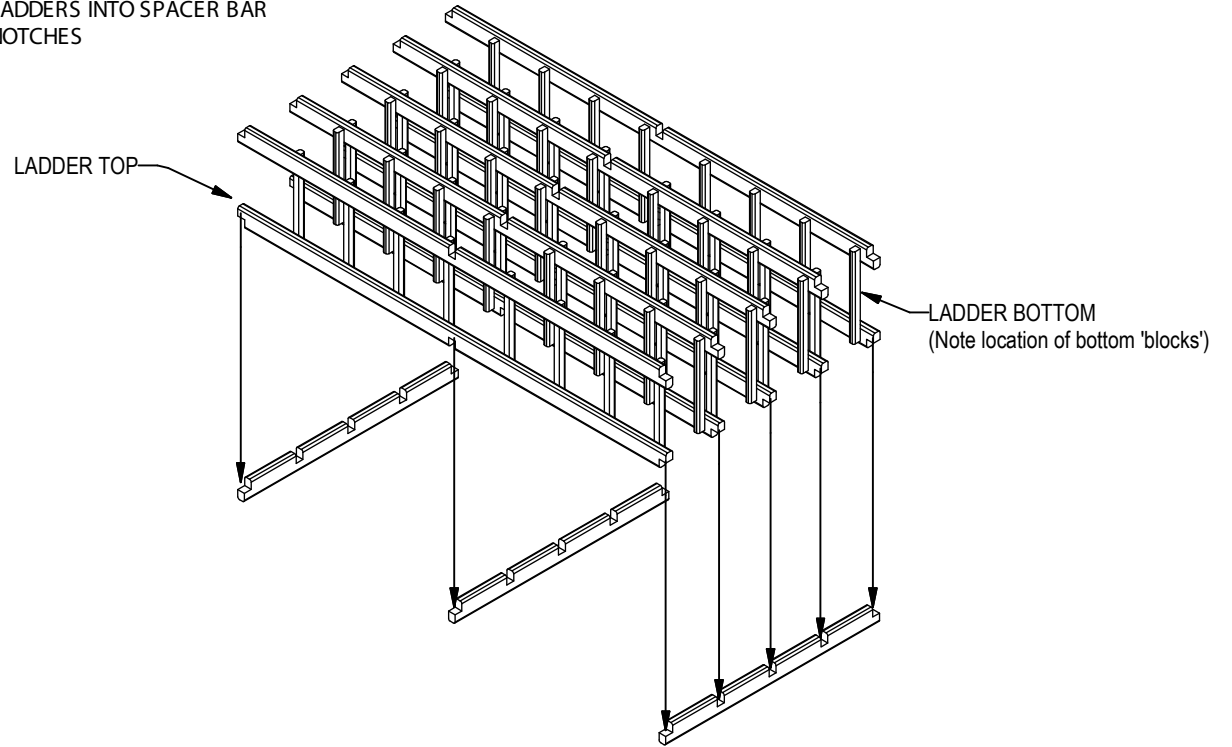
STEP 4

APPLY GLUE TO ALL LADDER NOTCHES



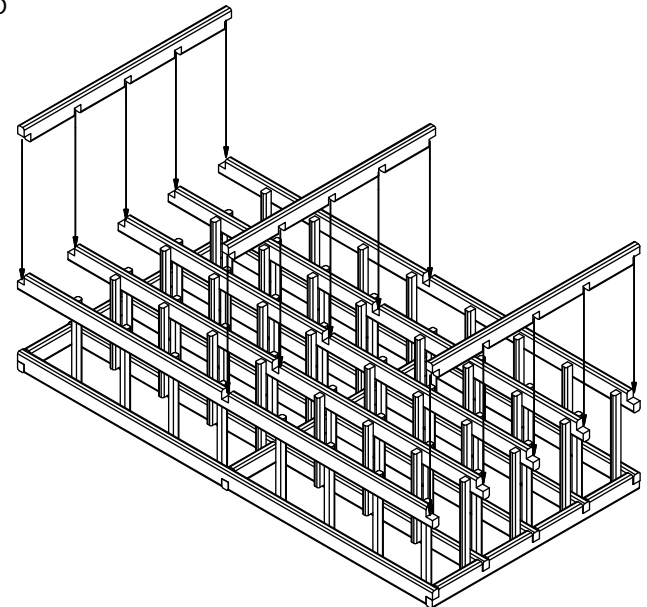
STEP 3

INSERT SIDE AND MIDDLE LADDERS INTO SPACER BAR NOTCHES



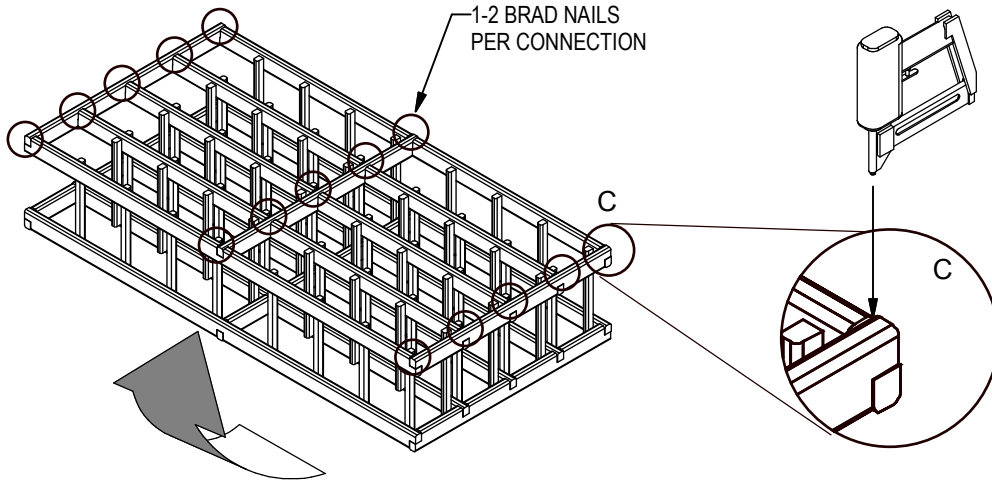
STEP 5

PLACE 3 SPACER BARS INTO LADDER NOTCHES



STEP 6

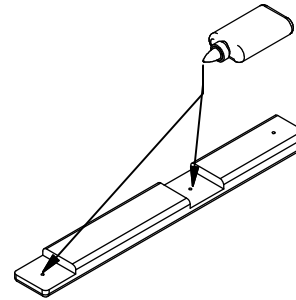
NAIL SPACER BARS TO LADDERS



AFTER NAILING THIS SIDE, CAREFULLY TURN THE RACK OVER TO THE OTHER SIDE AND NAIL THE SPACER BARS TO THE LADDERS IN THE SAME PROCEDURE

STEP 7

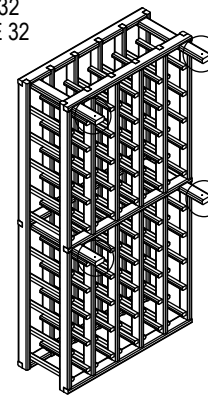
APPLY GLUE TO CLEAT NOTCHES



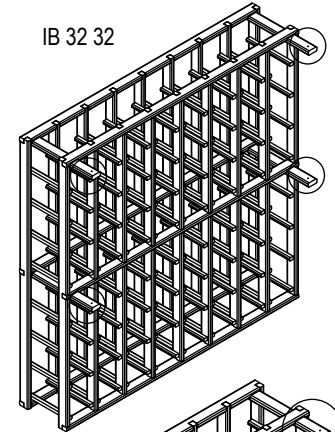
SUGGESTION:
APPLY GLUE & INSTALL THE CLEAT TO THE RACKING ONE AT THE TIME

CLEATS POSITIONS FOR EACH TYPE OF RACKING

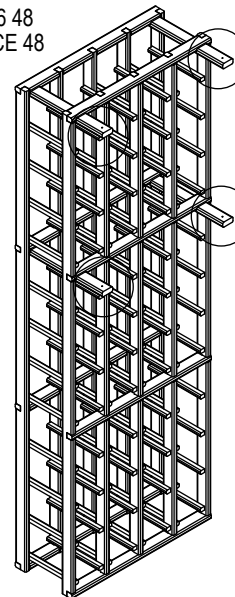
IB 16 32
B ICE 32



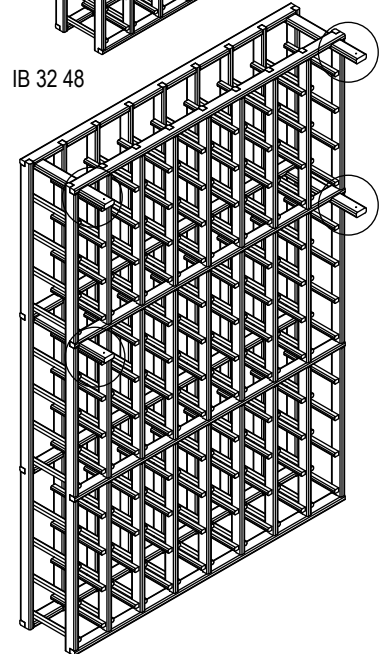
IB 32 32



IB 16 48
B ICE 48

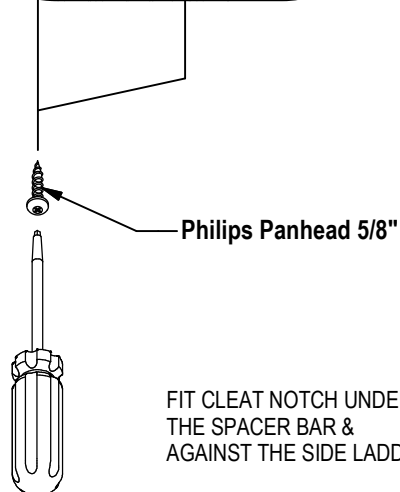
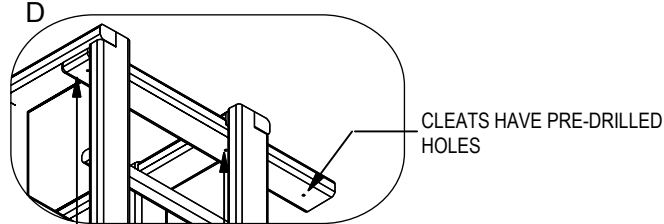
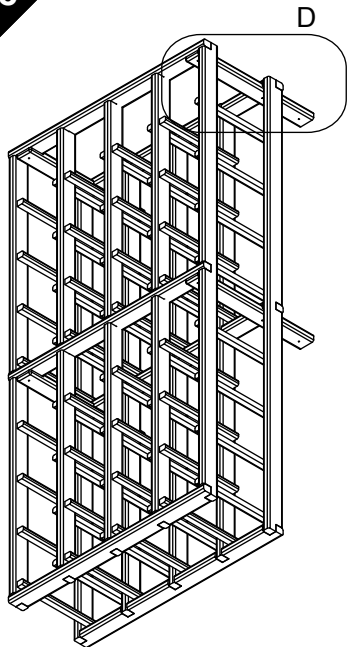


IB 32 48



STEP 8

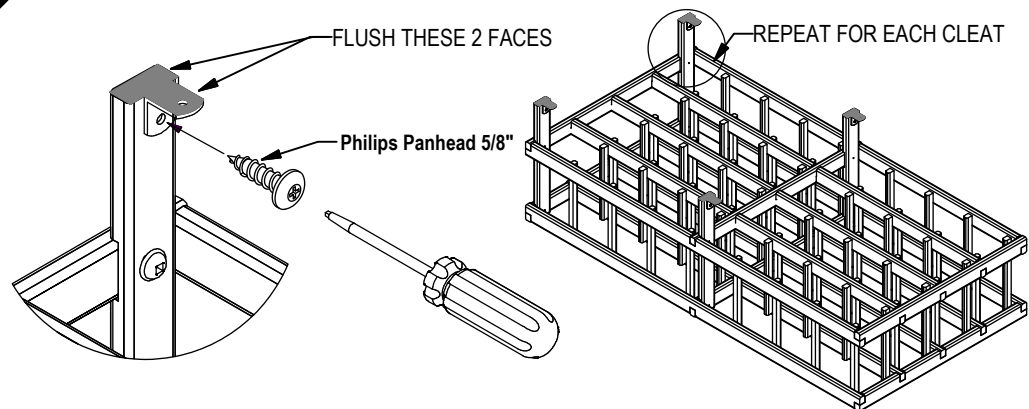
SCREW CLEAT TO RACK



FIT CLEAT NOTCH UNDER THE SPACER BAR & AGAINST THE SIDE LADDER

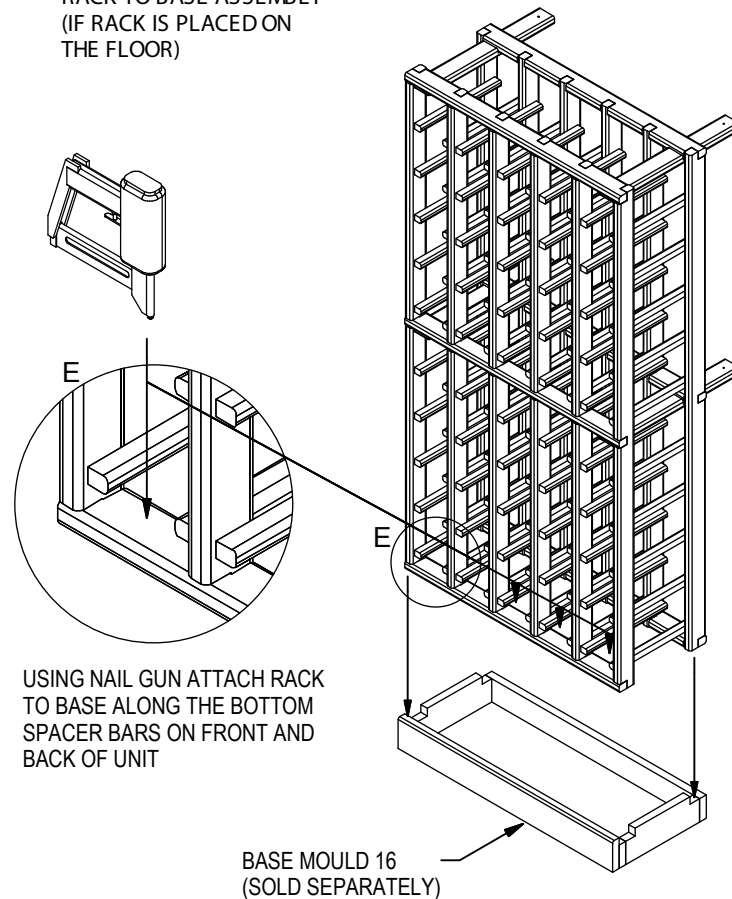
STEP 9

SCREW ANGLED BRACKETS TO EACH CLEAT



STEP 10

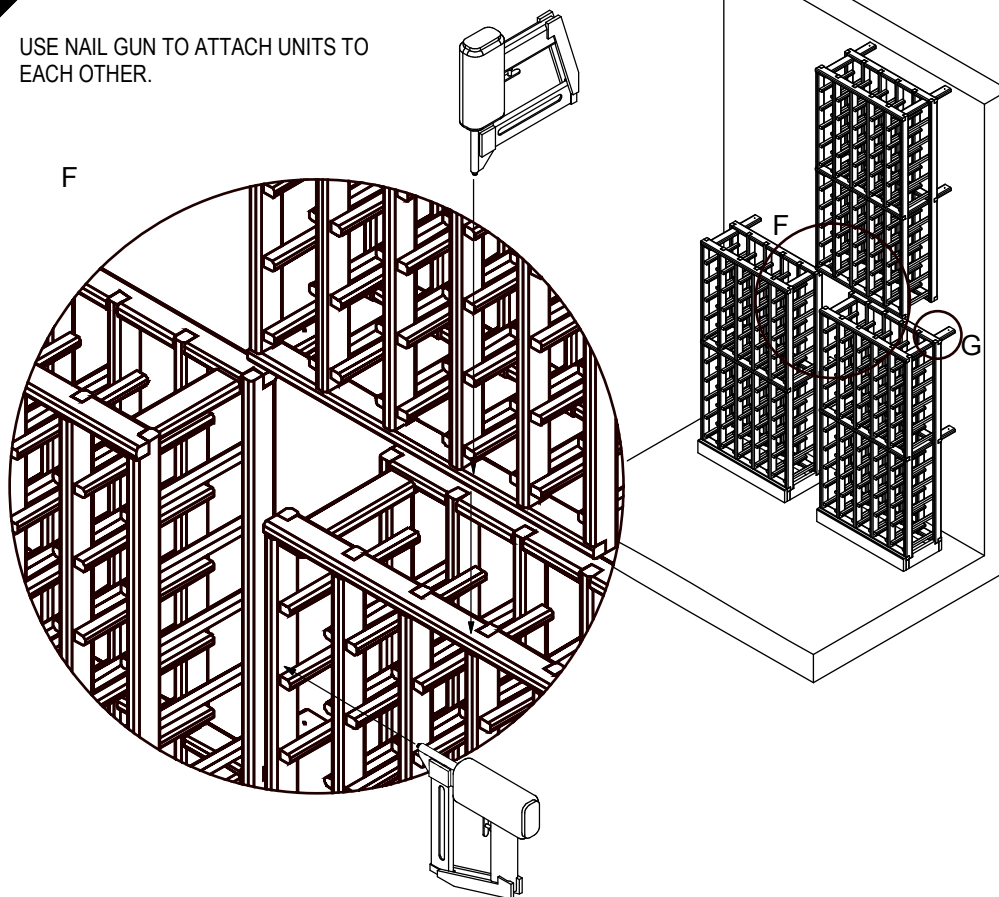
ATTACHING COMPLETED RACK TO BASE ASSEMBLY (IF RACK IS PLACED ON THE FLOOR)



STEP 11

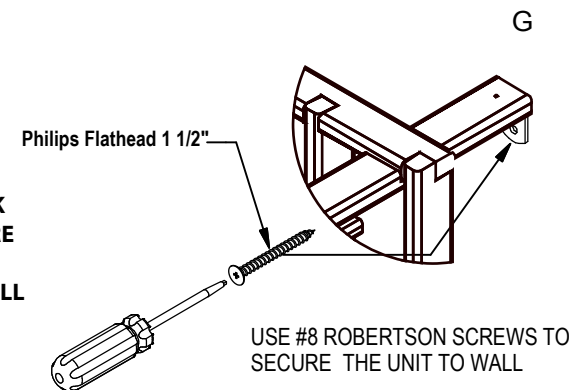
ATTACHING COMPLETED UNIT TO WALL AND OTHER RACK UNITS

USE NAIL GUN TO ATTACH UNITS TO EACH OTHER.



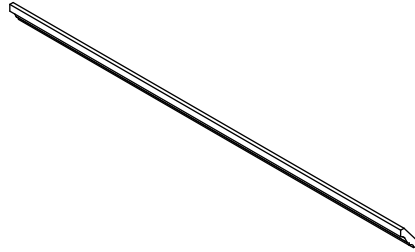
IMPORTANT

- 1 - PRIOR TO ATTACHING UNITS TO THE WALL PRE-MOUNT THE UNITS IN THEIR DESIRED POSITIONS
- 2 - USE A PENCIL TO MARK THE LOCATIONS OF WHERE THE ANGLED BRACKETS WILL BE FIXED TO THE WALL
- 3 - PRE-DRILL HOLES AT THESE MARKINGS AND INSTALL THE DRYWALL ANCHORS PROVIDED WITH THE KIT



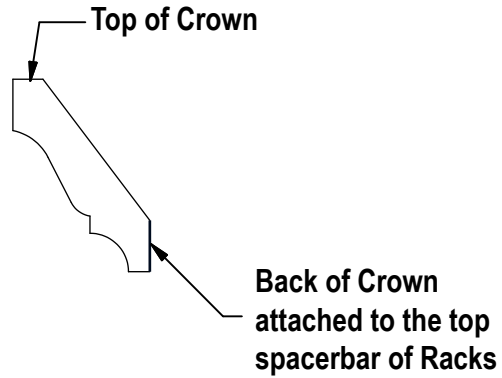
**STEP
12**

ATTACHING CROWN MOULD TO RACK

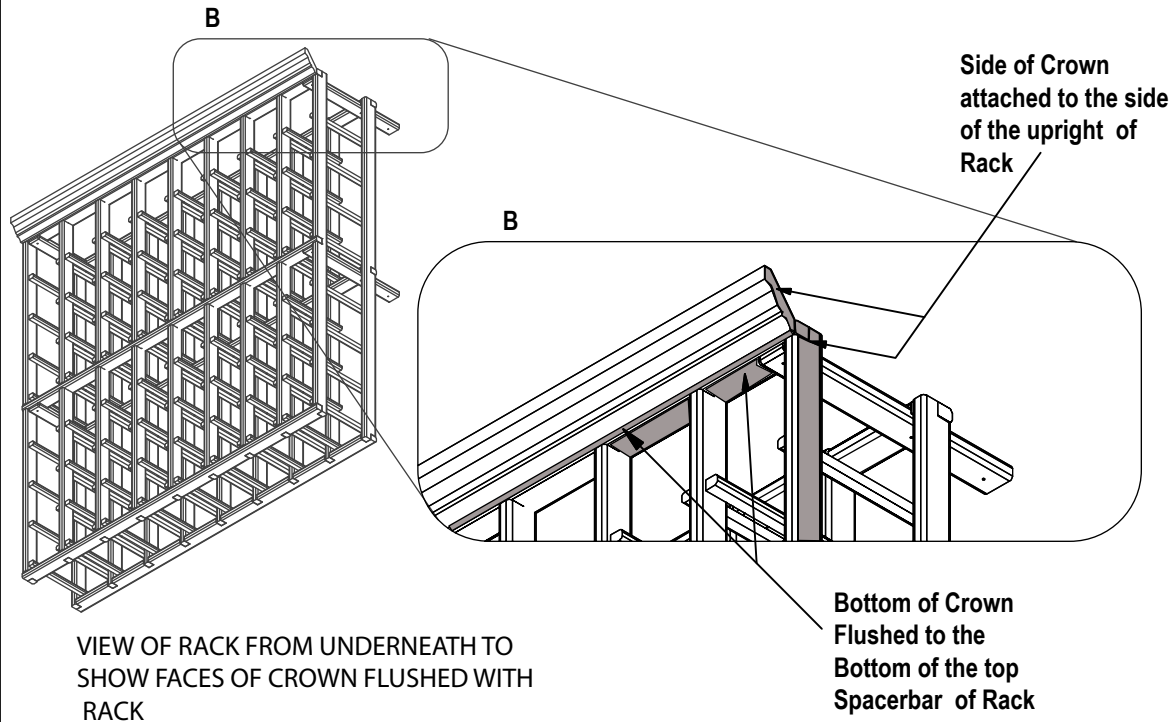
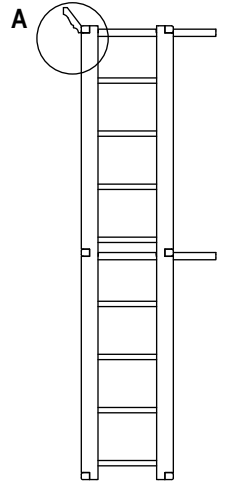
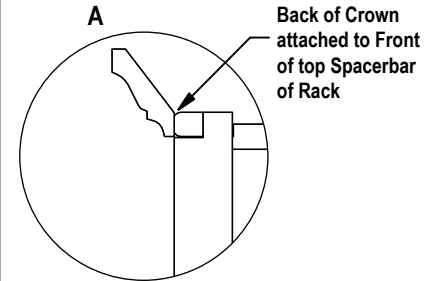


***NOTE: CROWN IS NOT PROVIDED WITH KITS**

CROWN PROFILE

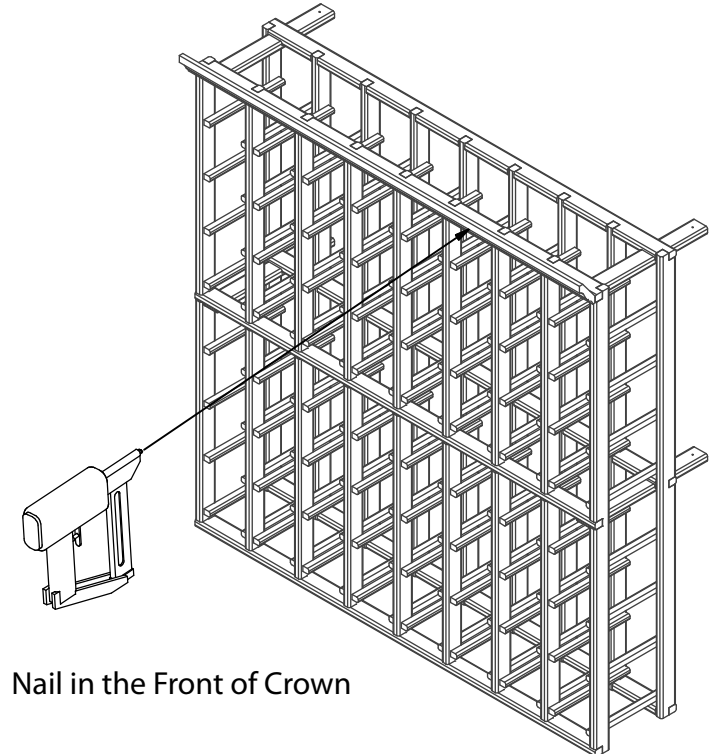


SIDE VIEW OF CROWN ATTACHED TO TOP SPACERBAR OF RACK



VIEW OF RACK FROM UNDERNEATH TO SHOW FACES OF CROWN FLUSHED WITH RACK

CROWN ATTACHED TO RACK



1-2 NAILS PER LOCATION