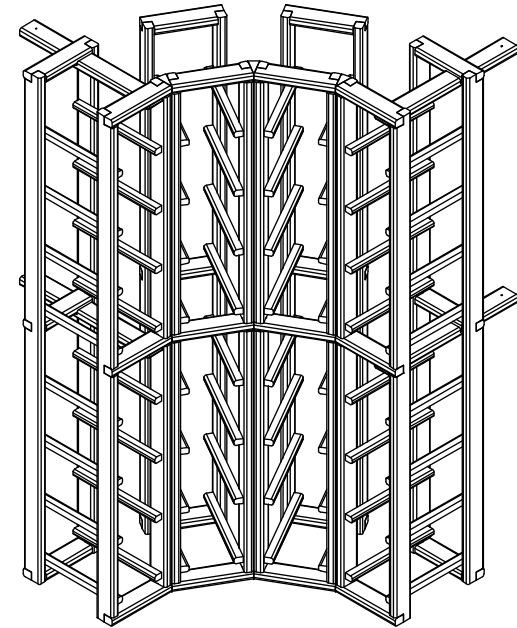




## ASSEMBLY INSTRUCTIONS



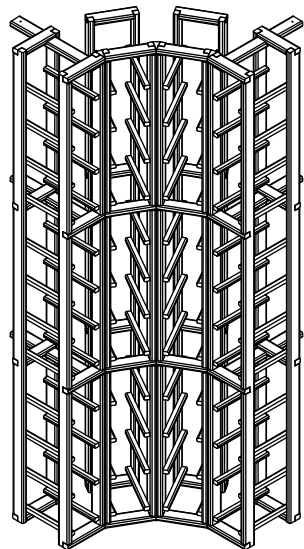
### OR KIT RACKS:

- IB CORNER 32
- IB CORNER 48

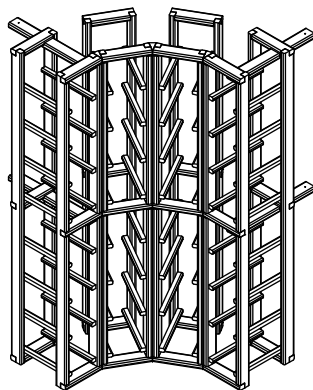
## INTRODUCTION

Thank you for purchasing a KIT RACK by Genuine Cellars. The following instructions will help you assemble kits IB CORNER 32 and IB CORNER 48.

Please study carefully the instructions prior to starting the assembly.



IB CORNER 48



IB CORNER 32

## COMPONENTS

The following components are included in all kits:



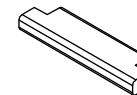
SIDE LADDERS



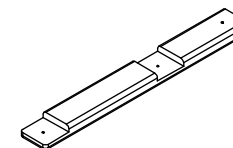
WEDGES



ANGLED SPACERS



SPACER BARS



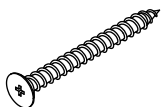
CLEATS

### QUANTITY OF COMPONENTS PER KIT

KIT NUMBER	COMPONENT				
	SIDE LADDERS	SPACER BARS	CLEATS	WEDGES	ANGLED SPACERS
IB CORNER KIT 32	8	24	4	3	9
IB CORNER KIT 48	8	32	4	3	12

## HARDWARE

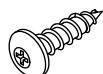
The following hardware is included in kit:



•Philips Flathead 1 1/2"



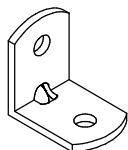
•Philips Flathead 1/2"



•Philips Panhead 5/8"



•DRYWALL ANCHORS (4)

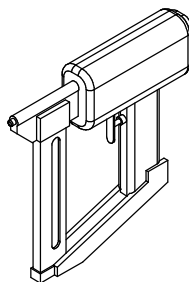


•ANGLED BRACKETS (4)

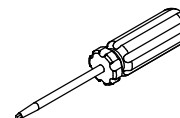
•GAUGE BRAD NAILS (3 SLEEVES)

## TOOLS REQUIRED

The following tools are required (NOT INCLUDED):



NAIL GUN (with appropriate air compressor or electrical nailer)  
With 18 gauge BRAD nails (supplied)



PHILIPS HEAD SCREWDRIVER



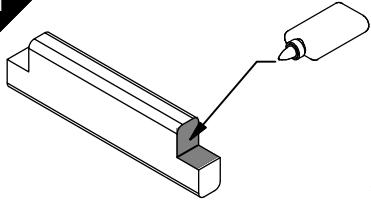
WOOD GLUE

**IMPORTANT!**  
Always follow the manufacturer's instructions on how to use the nail gun to prevent injury. Genuine Cellars is not liable for any injury incurred by any power or hand tool used to assemble the kit.

# ASSEMBLY

STEP 1

APPLY GLUE TO SPACER BARS

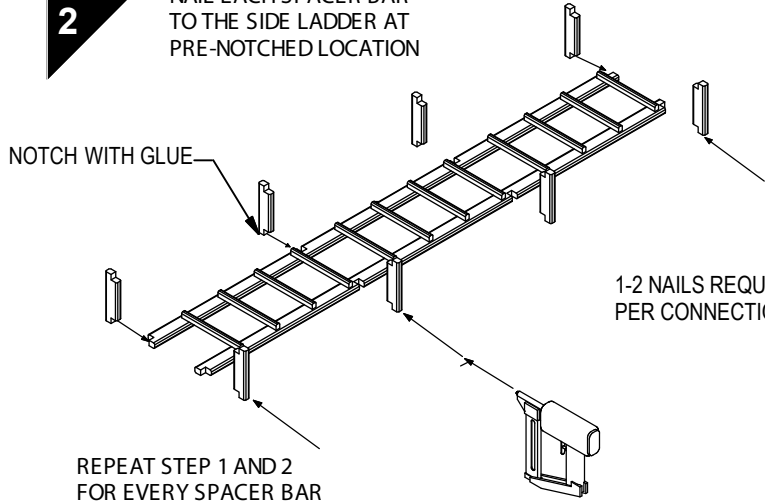


APPLY GLUE TO ONE SPACER BAR ONLY ON ONE SIDE AS SHOWN AND MOVE TO STEP 2

\*Apply enough glue so that it will not run when the pieces are nailed together

STEP 2

NAIL EACH SPACER BAR TO THE SIDE LADDER AT PRE-NOTCHED LOCATION



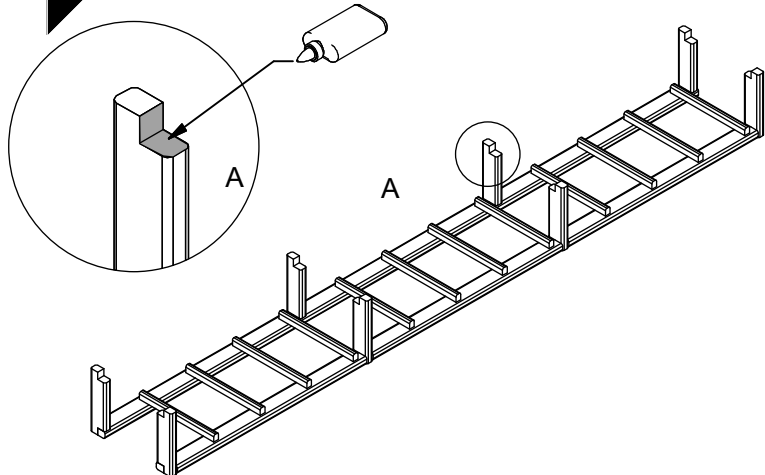
NOTCH WITH GLUE

1-2 NAILS REQUIRED PER CONNECTION

REPEAT STEP 1 AND 2 FOR EVERY SPACER BAR

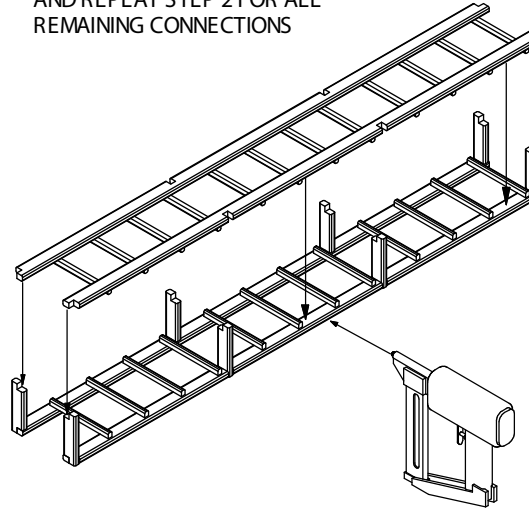
STEP 3

APPLY GLUE TO ALL SPACER BARS AS SHOWN



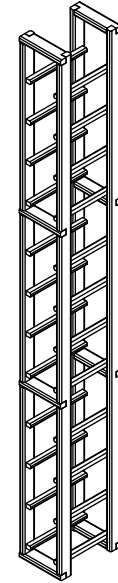
STEP 4

PLACE OTHER SIDE LADDER AND REPEAT STEP 2 FOR ALL REMAINING CONNECTIONS



REPEAT STEPS 1 THROUGH 4 TO MAKE 4 IDENTICAL RACKS

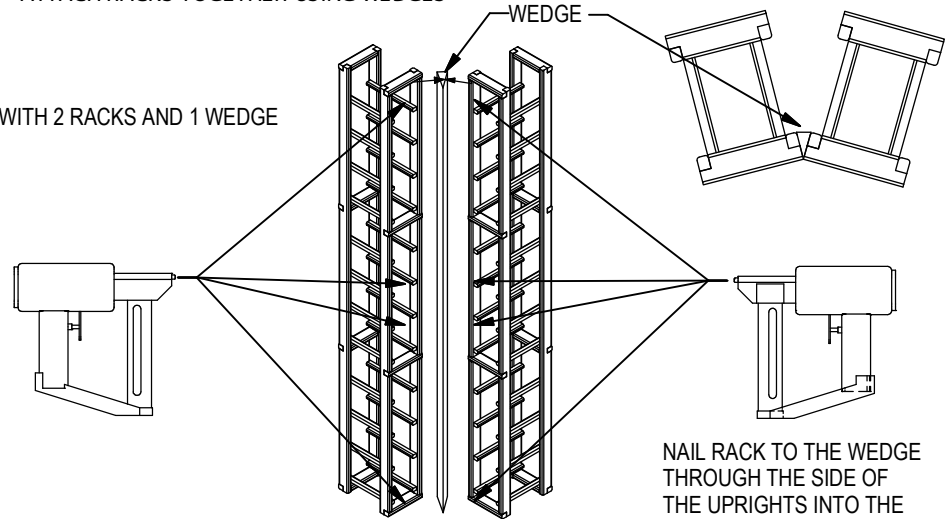
FINISHED RACK



STEP 5

ATTACH RACKS TOGETHER USING WEDGES

START WITH 2 RACKS AND 1 WEDGE

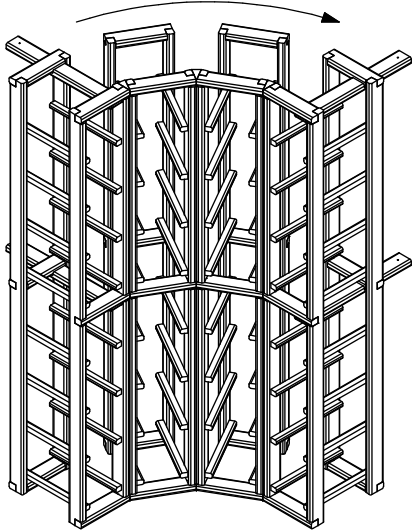


'SANDWICH' THE WEDGE BETWEEN THE 2 FRONT UPRIGHTS OF THE RACKS

NAIL RACK TO THE WEDGE THROUGH THE SIDE OF THE UPRIGHTS INTO THE SIDE OF THE WEDGE

**STEP 6**

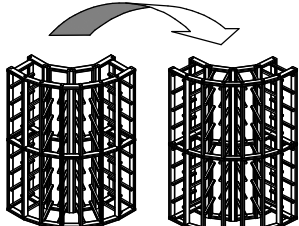
ATTACH OTHER RACKS



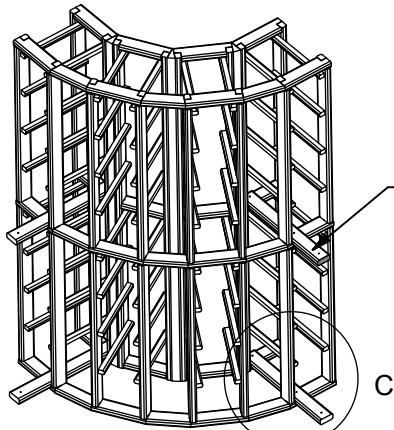
REPEAT STEP 5 TO ATTACH THE REST OF THE RACKS TO FORM THE CURVED CORNER

**STEP 9**

ATTACH CLEATS TO RACK



FLIP RACK UPSIDE DOWN

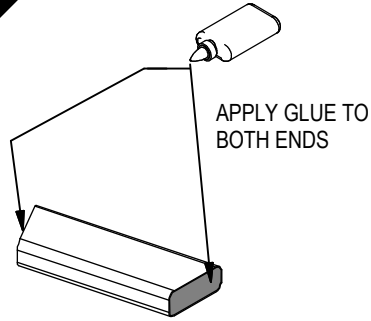


POSITION CLEATS AT THESE LOCATIONS

UPSIDE DOWN RACKS

**STEP 7**

APPLY GLUE TO ANGLED SPACERS



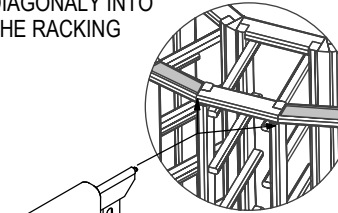
APPLY GLUE TO BOTH ENDS

FOLLOW STEPS 7-8 ONE SPACER AT A TIME

**STEP 8**

NAIL SPACER TO RACKS

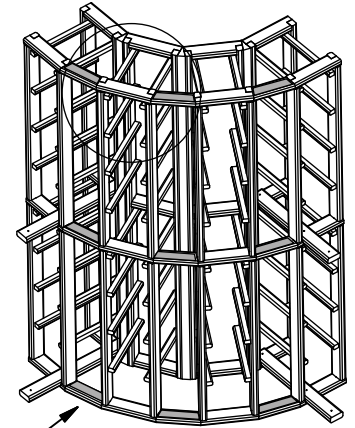
NAIL SPACERS DIAGONALLY INTO THE RACKING



B

ATTACH SPACERS AT THESE LOCATIONS

B



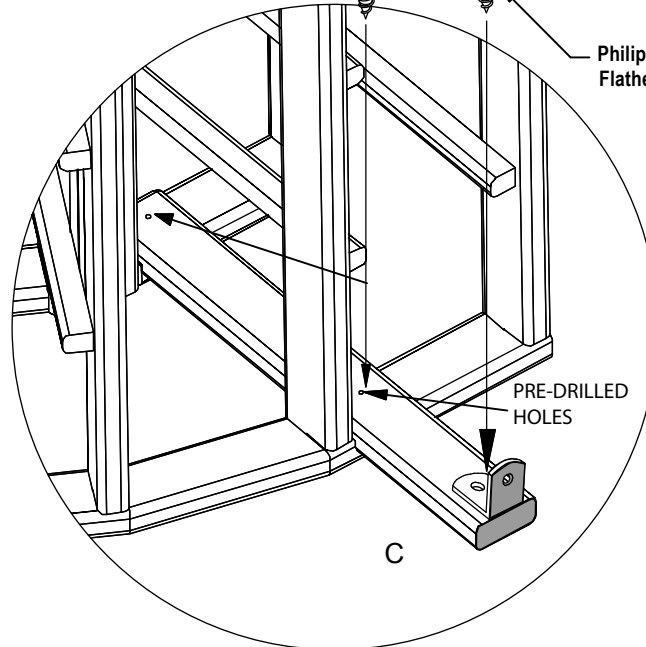
**STEP 10**

ATTACH ANGLED BRACKET TO CLEAT

Philips Panhead 5/8"



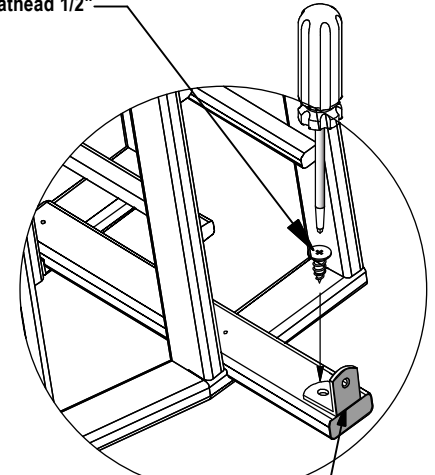
Philips Flathead 1/2"



PRE-DRILLED HOLES

C

Philips Flathead 1/2"



FLUSH BOTH OF THESE FACES

ATTACH ANGLED BRACKET TO EVERY CLEAT

**STEP 11**

**ATTACHING COMPLETED UNIT TO WALL AND OTHER UNITS**

MULTIPLE UNITS MAY BE STACKED TO REACH DESIRED HEIGHT

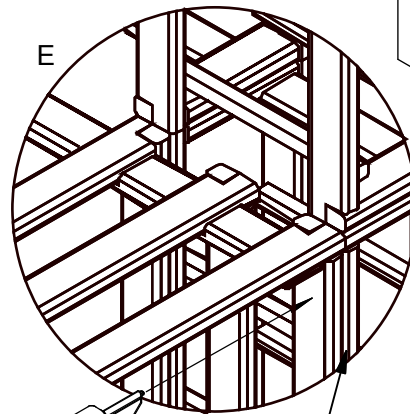
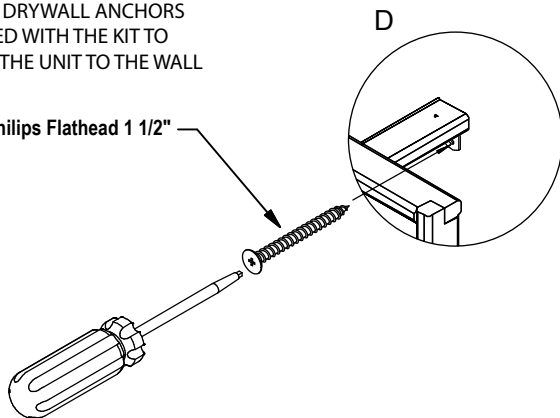
**IMPORTANT:**

- 1 - PRIOR TO ATTACHING UNITS TO THE WALL PRE-MOUNT THE UNITS IN THEIR DESIRED POSITIONS
- 2 - USE A PENCIL TO MARK THE LOCATIONS OF WHERE THE ANGLED BRACKETS WILL BE FIXED TO THE WALL
- 3 - PRE-DRILL HOLES AT THESE MARKINGS AND INSTALL THE DRYWALL ANCHORS PROVIDED WITH THE KIT.

BASE MOULD CORNER KIT (SOLD SEPARATELY)

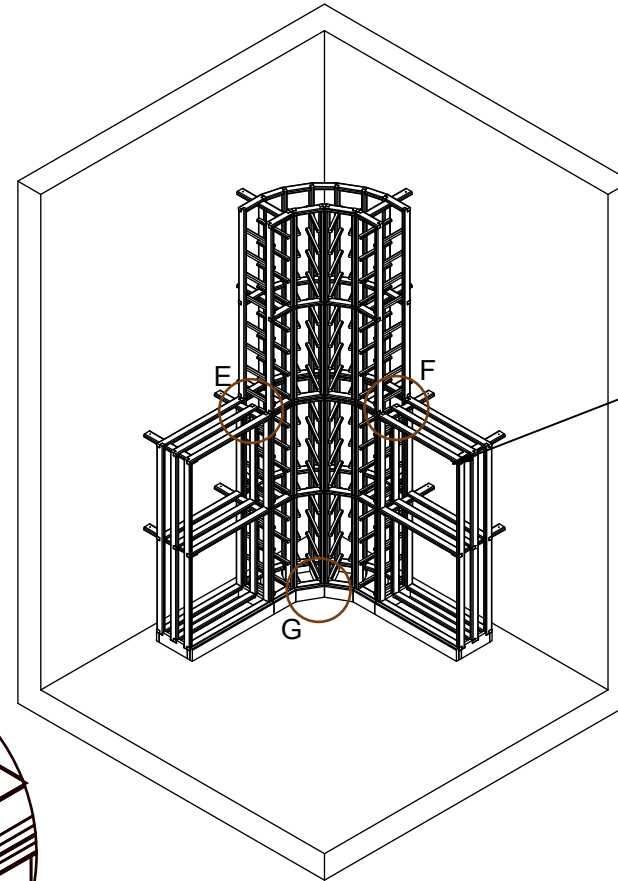
USE THE DRYWALL ANCHORS PROVIDED WITH THE KIT TO ATTACH THE UNIT TO THE WALL

Philips Flathead 1 1/2"

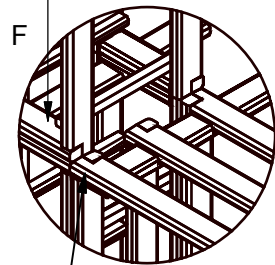


ATTACH CURVED CORNERS TO OTHER UNITS BY NAILING SIDE UPRIGHTS TO EACH OTHER

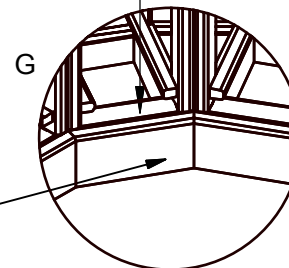
ATTACH CURVED CORNER KIT TO BASE MOULD CORNER KIT (SOLD SEPARATELY) BY NAILING BOTTOM SPACER BAR TO BASE



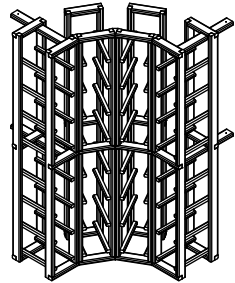
BIN 32 16



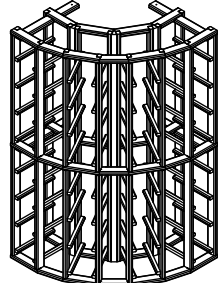
ATTACH CORNER KITS TO EACH OTHER BY NAILING TOP & BOTTOM SPACER BARS TOGETHER



# OUTSIDE CURVED CORNER



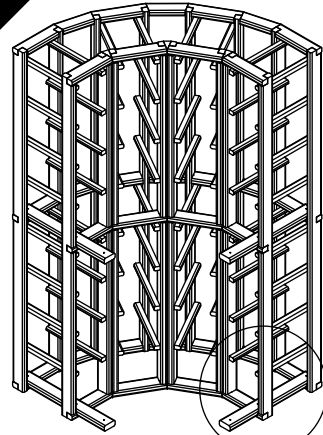
INSIDE CURVED CORNER



OUTSIDE CURVED CORNER

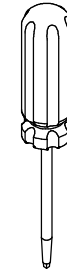
## STEP 1

### ATTACH CLEATS TO RACKS



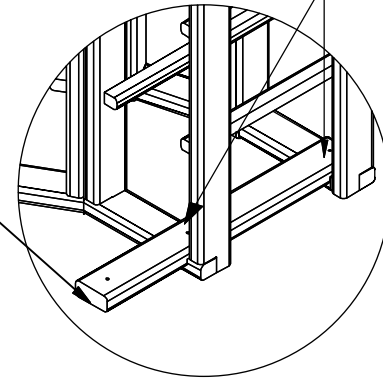
UPSIDE DOWN RACKS  
(AS IN STEP 9)

H

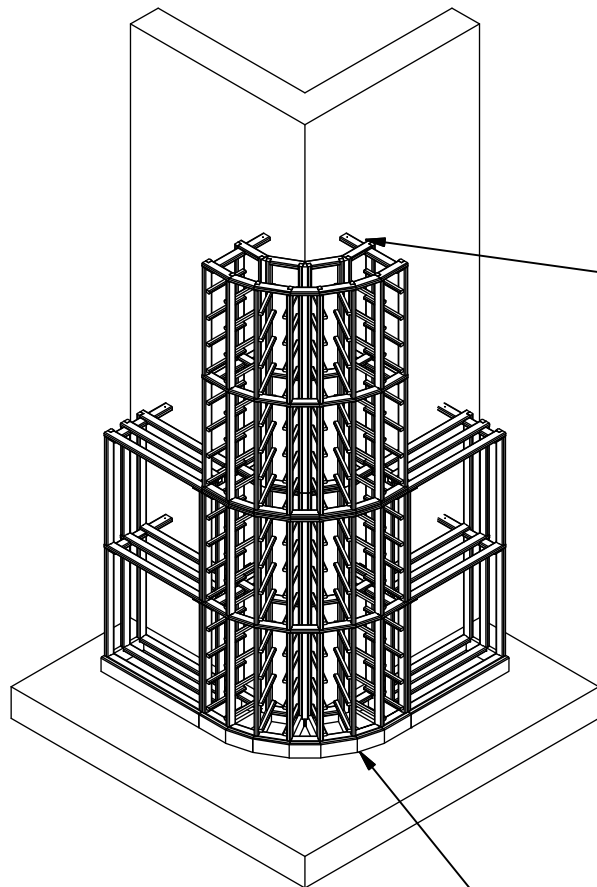


Philips Panhead 5/8"

H



PLACE CLEAT WITH  
THIS END FACING  
THE INSIDE OF THE  
CURVED CORNER

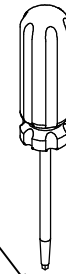


BY REVERSING THE CURVED  
CORNER YOU CAN PLACE IT  
AROUND WALL CORNERS  
SUCH AS SHOWN

OUTSIDE BASE MOULD CORNER KIT  
(SOLD SEPARATELY)

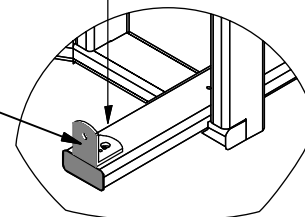
## STEP 2

### ATTACH ANGLED BRACKET TO CLEAT



Philips Flathead 1/2"

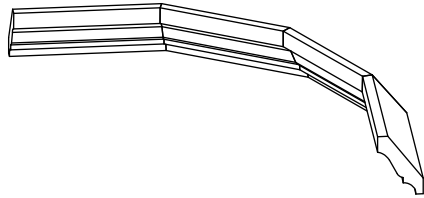
ONCE CLEATS HAVE  
BEEN ATTACHED, MOVE  
TO STEP 11 FOR  
INFORMATION ON HOW  
TO MOUNT CURVE  
CORNER TO WALL AND  
OTHER KITS



FLUSH BOTH OF  
THESE FACES

**STEP  
12**

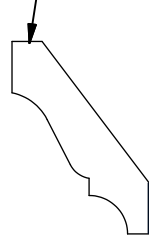
**ATTACHING CROWN MOULD TO CURVED RACK**



**\*NOTE: CROWN IS NOT PROVIDED WITH KITS**

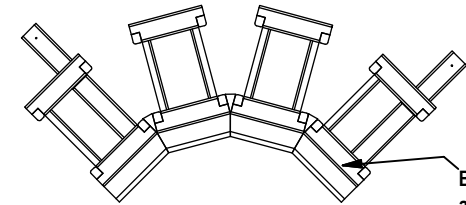
**CROWN PROFILE**

Top of Crown

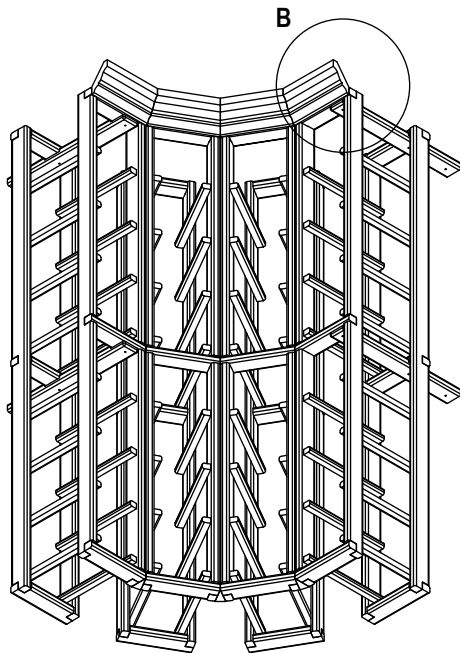


Back of Crown  
attached to the top  
spacerbar of RACKS

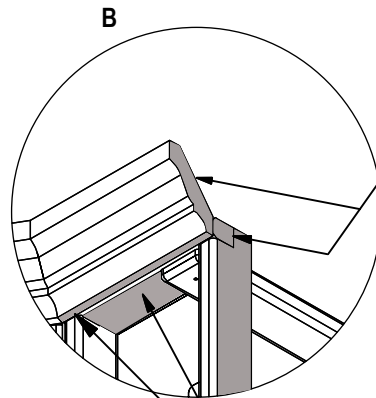
**TOP VIEW OF CROWN  
ATTACHED TO TOP  
SPACERBAR OF RACK**



Back of Crown  
attached to Front  
of top Spacerbar  
of Rack

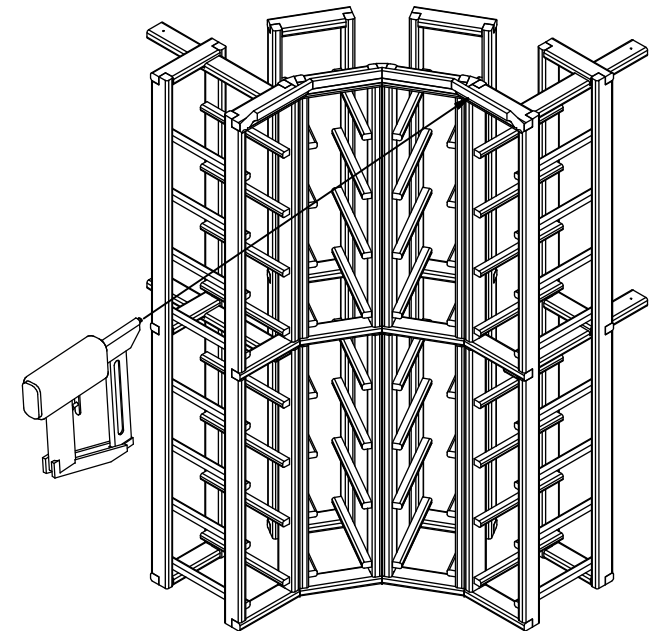


Side of Crown  
attached to the side  
of the upright of  
Rack



Bottom of Crown  
Flushed to the  
Bottom of the top  
Spacerbar of Rack

**CROWN ATTACHED TO CURVED RACK**



Nail in the Front of Crown in every segment of the crown so it fits perfectly in the Curved Rack

VIEW OF RACK FROM UNDERNEATH TO  
SHOW FACES OF CROWN FLUSHED WITH  
RACK

1-2 NAILS PER LOCATION