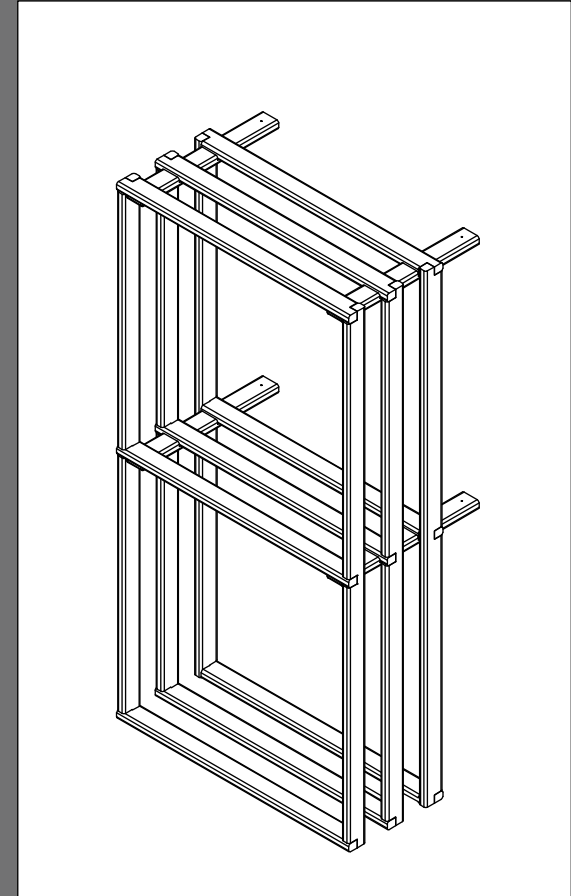




ASSEMBLY INSTRUCTIONS



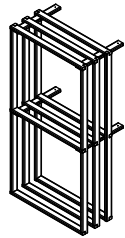
FOR KIT RACKS:

- BIN16 32
- BIN16 48
- BIN32 32
- BIN32 48
- BURGUNDY 16 32
- BURGUNDY 16 48
- CHAMPAGNE 16 32
- CHAMPAGNE 16 48
- WOODCASE 16 32
- WOODCASE 16 48

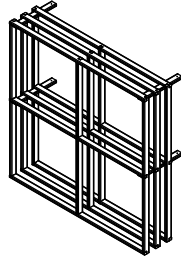
INTRODUCTION

Thank you for purchasing a KIT RACK by Genuwine Cellars. The following instructions will help you assemble kit number BIN 16 32. The same procedure can be followed to assemble kits BIN 16 48, BIN 32 32, BIN 32 48, BURGUNDY 16 32, BURGUNDY 16 48, CHAMPAGNE 16 32, CHAMPAGNE 16 48, WOOD CASE 24 32, WOOD CASE 24 48

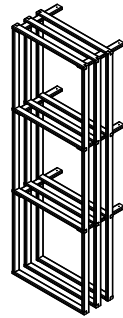
Please study carefully the instructions prior to starting the assembly.



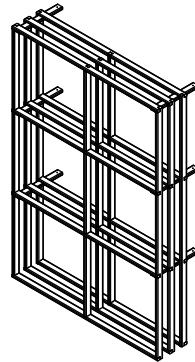
BIN 16 32



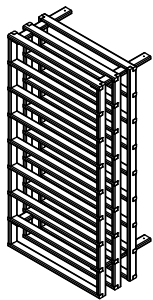
BIN 32 32



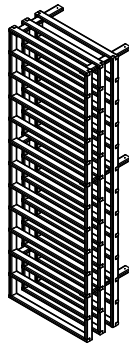
BIN 16 48



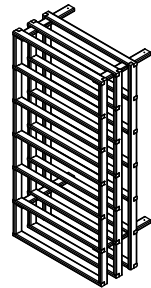
BIN 32 48



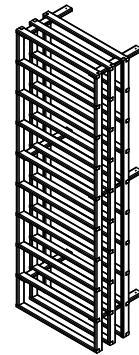
BURGUNDY 16 32



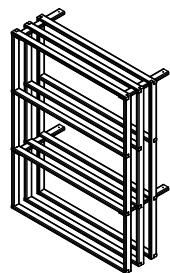
BURGUNDY 16



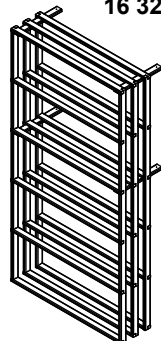
CHAMPAGNE 16 32



CHAMPAGNE 16 48



WOOD CASE 24 32



WOOD CASE 24 48

TYPE

- Philips Flathead 1 1/2" QTY: 4



- Philips Flathead 1/2" QTY: 4

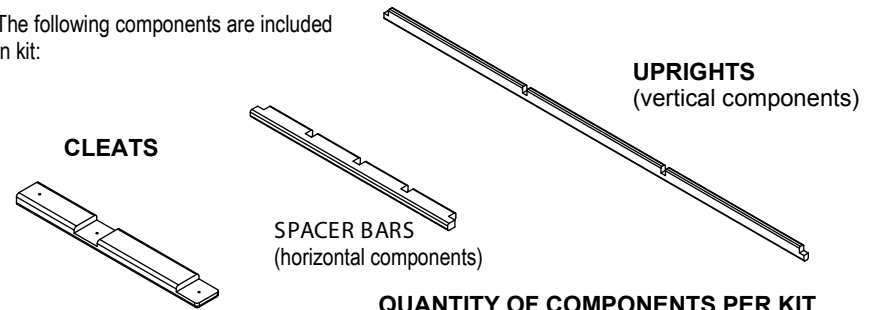


- Philips Panhead 5/8" QTY: 12



COMPONENTS

The following components are included in kit:



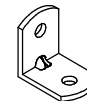
QUANTITY OF COMPONENTS PER KIT

| KIT NUMBER | COMPONENT | | |
|-----------------|-------------|----------|--------|
| | SPACER BARS | UPRIGHTS | CLEATS |
| BIN 16 32 | 9 | 6 | 4 |
| BIN 32 32 | N/A | 18 | 4 |
| BIN 16 48 | 12 | 6 | 4 |
| BIN 32 48 | 12 | 9 | 4 |
| BURGUNDY 16 32 | 27 | 6 | 4 |
| BURGUNDY 16 48 | 39 | 6 | 6 |
| CHAMPAGNE 16 32 | 21 | 6 | 4 |
| CHAMPAGNE 16 48 | 30 | 6 | 6 |
| WOOD CASE 24 32 | 12 | 6 | 4 |
| WOOD CASE 24 48 | 18 | 6 | 4 |

HARDWARE

The following hardware and quantity is included in kit:
(NOTE: Quantity vary in kit)

- ANGLED BRACKETS QTY: 4



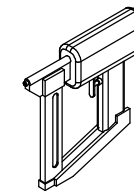
- DRYWALL ANCHORS QTY: 4



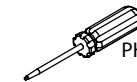
- BRAD NAILS 18 GAUGE (3 SLEEVES)

TOOLS REQUIRED

The following tools are required (NOT INCLUDED):



NAIL GUN (with appropriate air compressor or electric nailer)
For 18 gauge brand nails (supplied)



PHILIPS HEAD SCREWDRIVER



WOOD GLUE

IMPORTANT!
Always follow the manufacturer's instructions on how to use the nail gun to prevent injury. Genuwine Cellars Inc. is not liable for any injury incurred by any power tool or tool used to assemble the kit

ASSEMBLY

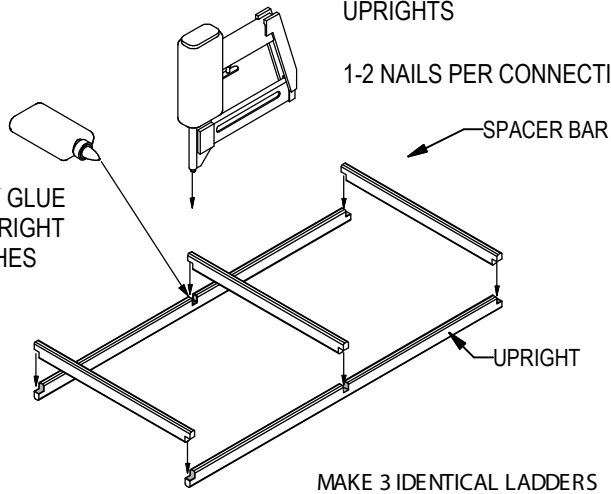
STEP 1

ASSEMBLE "LADDERS"

NAIL SPACER BARS TO UPRIGHTS

1-2 NAILS PER CONNECTION

APPLY GLUE TO UPRIGHT NOTCHES

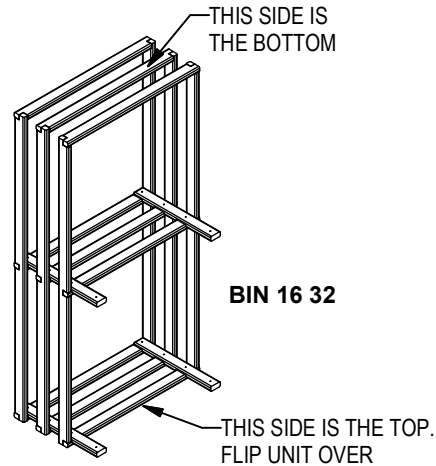


MAKE 3 IDENTICAL LADDERS

STEP 5

PLACE 3 MORE CLEATS

FOLLOW STEP 3 TO ATTACH 3 MORE CLEATS IN THE POSITIONS SHOWN ON THE DIAGRAM



BIN 16 32

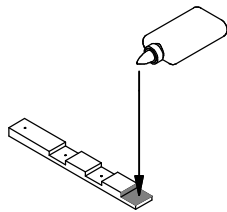
NOTE:

Placement of the cleats depends on the kit you purchased. See the diagrams below to determine the position of the cleats according to your kit.

STEP 2

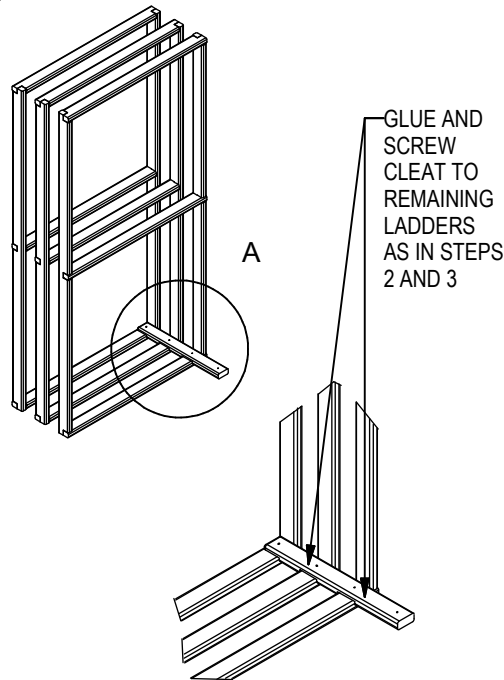
APPLY GLUE TO CLEAT NOTCHES

APPLY GLUE SPARINGLY TO FIRST NOTCHE



STEP 4

PLACE 2 REMAINING LADDERS INTO CLEAT NOTCHES



A

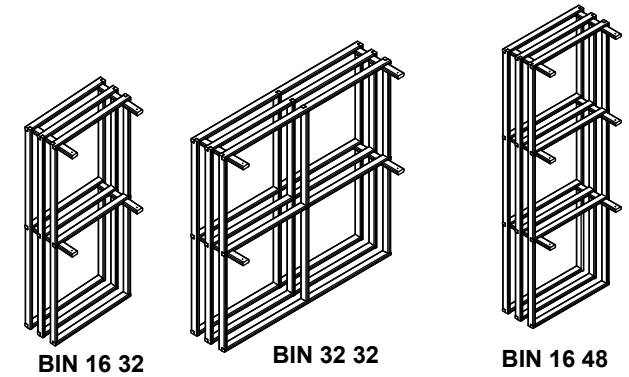
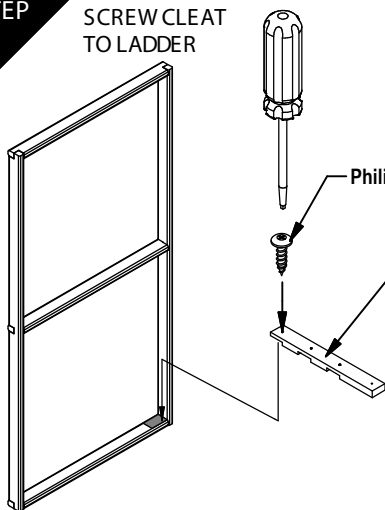
A

STEP 3

SCREW CLEAT TO LADDER

Philips Panhead 5/8"

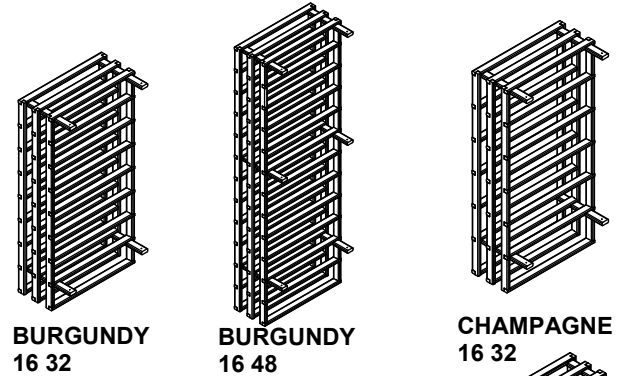
CLEAT WITH PRE-DRILLED HOLES AND GLUE APPLIED



BIN 16 32

BIN 32 32

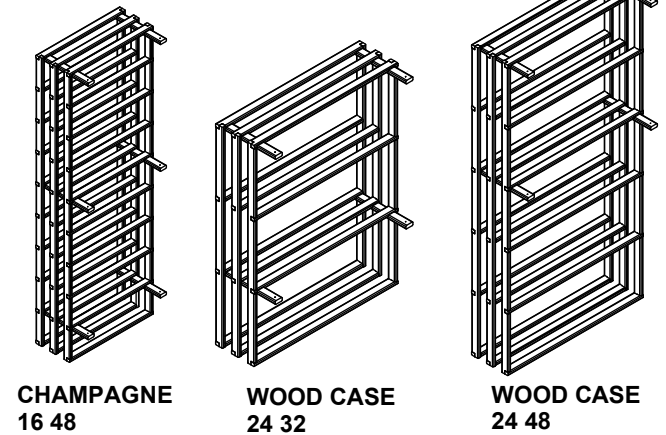
BIN 16 48



BURGUNDY 16 32

BURGUNDY 16 48

CHAMPAGNE 16 32



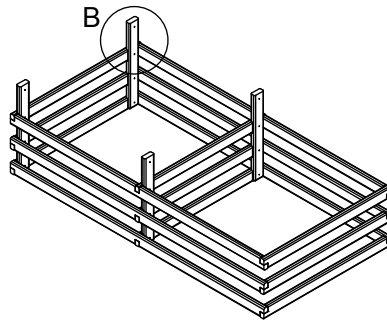
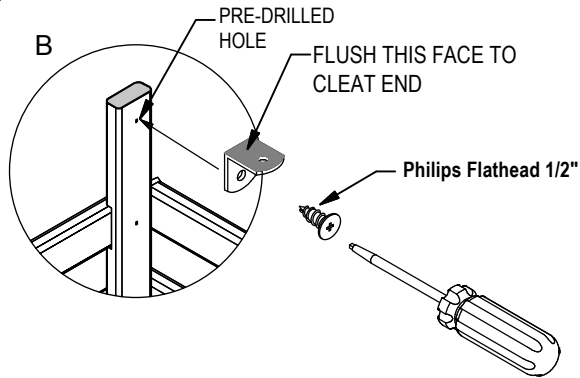
CHAMPAGNE 16 48

WOOD CASE 24 32

WOOD CASE 24 48

STEP 6

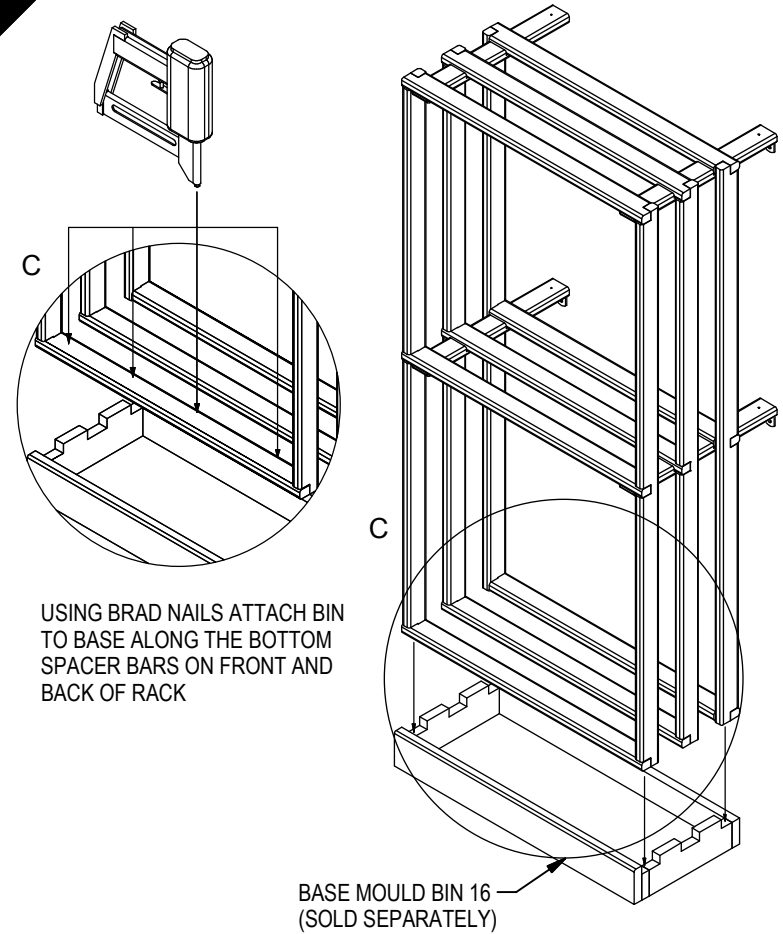
SCREW ANGLED BRACKETS TO EACH CLEAT



AT THIS POINT THE BIN IS COMPLETED
 FOLLOW STEP 6 IF THIS UNIT REQUIRES
 A BASE ASSEMBLY
 FOLLOW STEP 7 FOR ASSEMBLING TO
 OTHER UNITS AND MOUNTING TO WALL

STEP 7

ATTACHING BASE ASSEMBLY (sold separately)



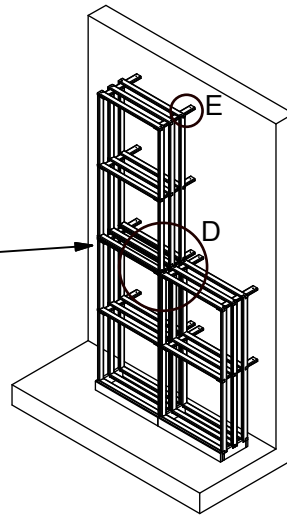
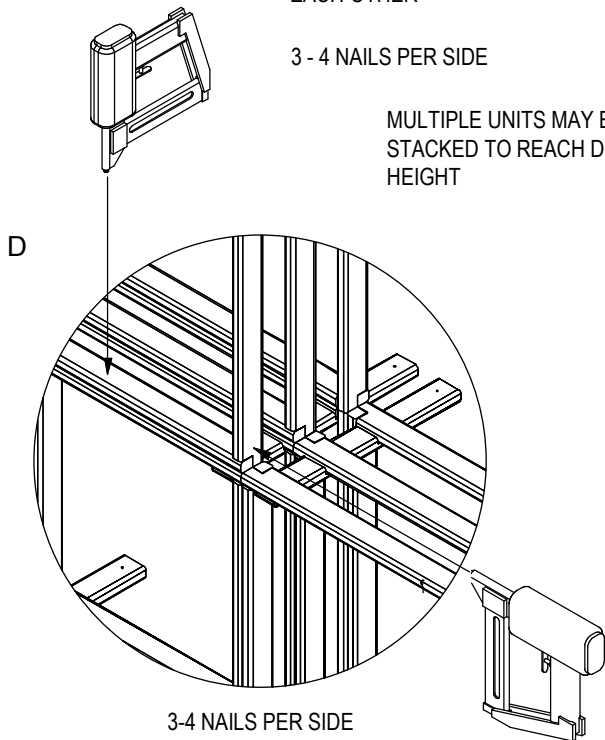
STEP 8

ATTACHING COMPLETED UNIT TO WALL AND OTHER UNITS

USE NAIL GUN TO ATTACH UNITS TO EACH OTHER

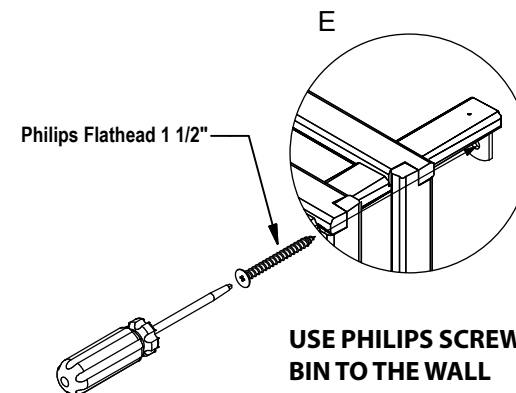
3 - 4 NAILS PER SIDE

MULTIPLE UNITS MAY BE STACKED TO REACH DESIRED HEIGHT



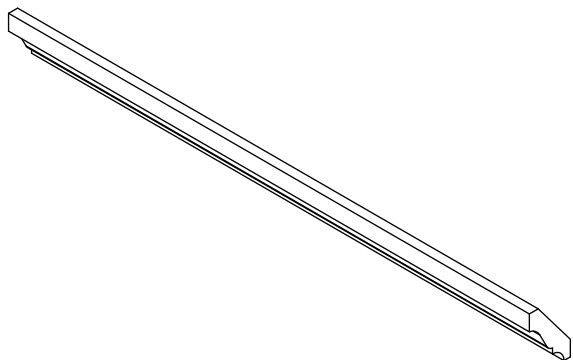
IMPORTANT

- 1 - PRIOR TO ATTACHING UNITS TO THE WALL PRE-MOUNT THE UNITS IN THEIR DESIRED POSITIONS
- 2 - USE A PENCIL TO MARK THE LOCATIONS OF WHERE THE ANGLED BRACKETS WILL BE FIXED TO THE WALL
- 3 - PRE-DRILL HOLES AT THESE MARKINGS AND INSTALL THE DRYWALL ANCHORS PROVIDED WITH THE KIT



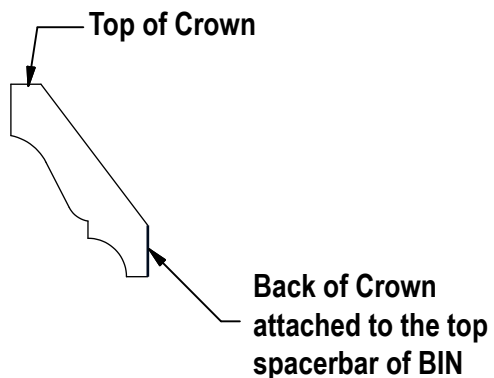
**STEP
8**

ATTACHING CROWN MOULD TO BIN

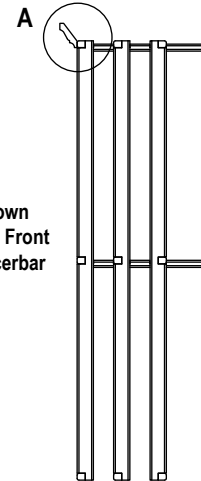
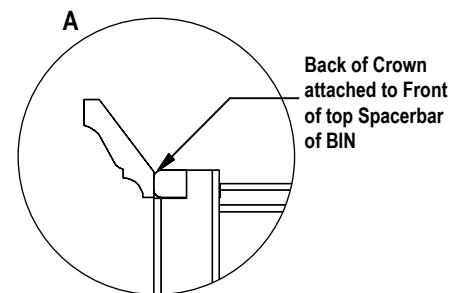


***NOTE: CROWN IS NOT PROVIDED WITH KITS**

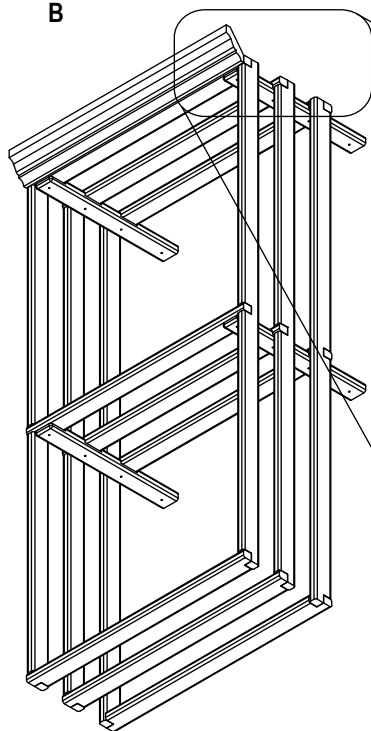
CROWN PROFILE



SIDE VIEW OF CROWN ATTACHED TO TOP SPACERBAR OF BIN

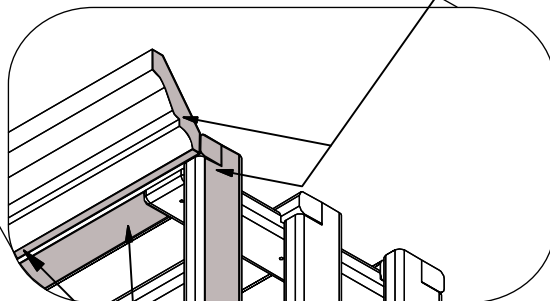


B



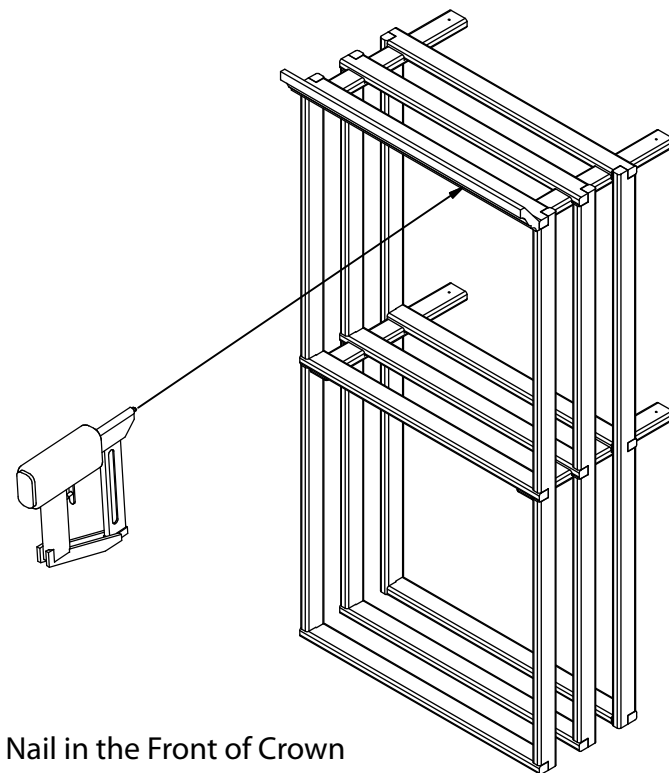
VIEW OF BIN FROM UNDERNEATH TO SHOW FACES OF CROWN FLUSHED WITH BIN

B



Bottom of Crown Flushed to the Bottom of the top Spacerbar of Bin

CROWN ATTACHED TO BIN



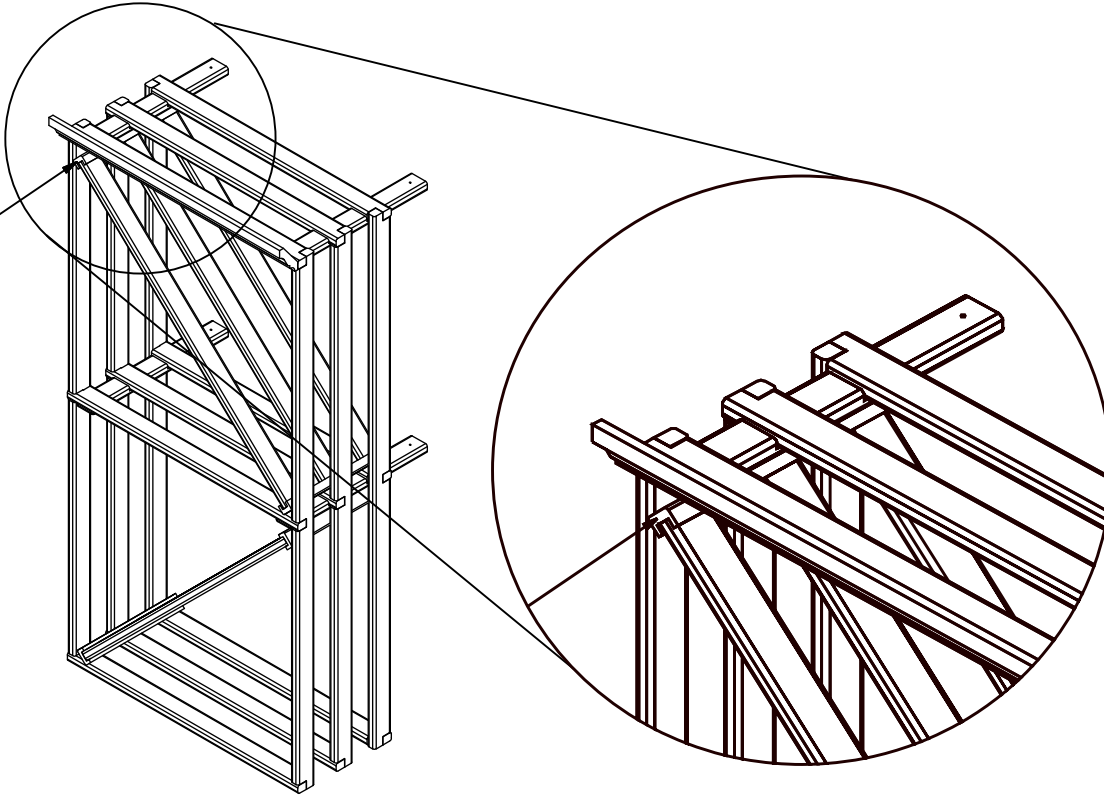
Nail in the Front of Crown

1-2 NAILS PER LOCATION

STEP
9

SLIDE BIN DIVIDERS INTO PLACE

Dividers slid into place



FRONT VIEW OF BINS WITH DIVIDERS

