



# GenuwineCellars Reserve

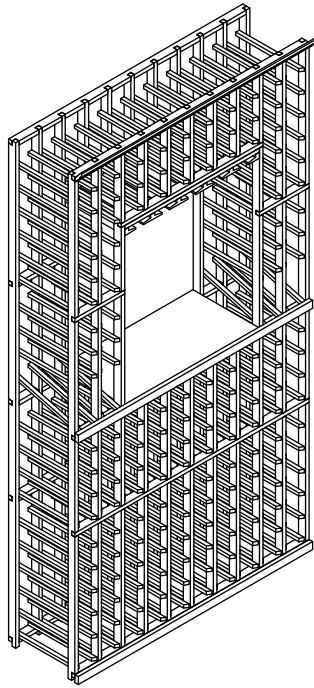
## ELITE KIT RACK ASSEMBLY INSTRUCTION

*Elite Kit Rack Tasting Display Modular  
Wine Rack*

# ELITE KIT RACK ASSEMBLY INSTRUCTION

Thank you for purchasing Elite Kit Rack by Genuine Cellars. The following instructions will help you assemble the 750ml TASTING DISPLAY.

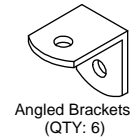
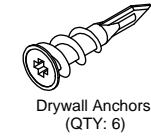
## 750ml TASTING DISPLAY



Please study the instructions carefully prior to starting the assembly.

# HARDWARE

The following hardware is included in all kits: (QUANTITY WILL VARY, DEPENDING ON KIT.)

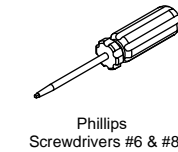
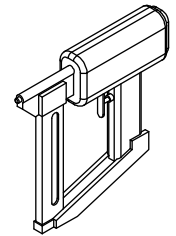
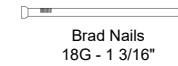


# TOOLS REQUIRED

The following hardware and tools are required (NOT INCLUDED):

**IMPORTANT!**

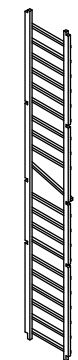
Always follow the manufacturer's instructions on how to use the nail gun, to prevent injury. Genuine Cellars is not liable for any injury incurred while assembling the kit.



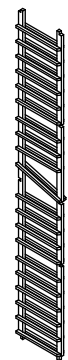
**We Recommend A 18 Gauge Nail Gun**  
(Use 18 gauge brad nailer, with appropriate air compressor or electric nailer set to 80psi, to prevent splitting)

# COMPONENTS

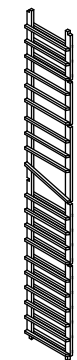
The following components are included in the 750ml TASTING DISPLAY.



1 - Left Ladder 2130 (QTY: 1)



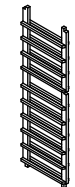
2a - Middle Ladder 2130 (QTY: 2)



2b - Middle Ladder 2130 (QTY: 1)



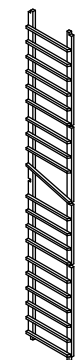
2c - Middle Ladder 325 (QTY: 5)



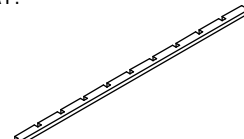
2d - Middle Ladder 1034 (QTY: 5)



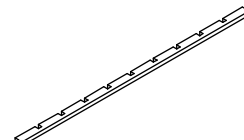
2e - Middle Ladder 2130 (QTY: 1)



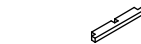
3 - Right Ladder 2130 (QTY: 1)



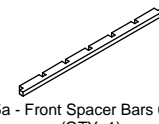
4a - Front Spacer Bars 1137 (QTY: 4)



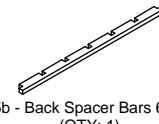
4b - Back Spacer Bars 1137 (QTY: 4)



6a - Front Spacer Bars 241 (QTY: 2)



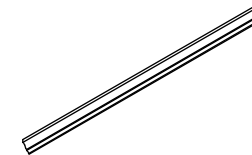
5a - Front Spacer Bars 689 (QTY: 1)



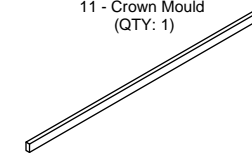
5b - Back Spacer Bars 689 (QTY: 1)



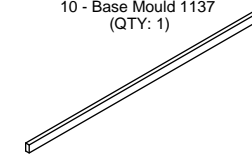
6b - Back Spacer Bars 241 (QTY: 2)



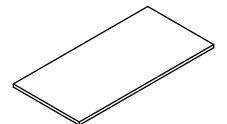
11 - Crown Mould (QTY: 1)



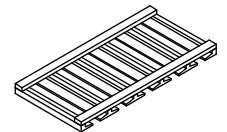
10 - Base Mould 1137 (QTY: 1)



8 - Tilt Stop 1137 (QTY: 1)



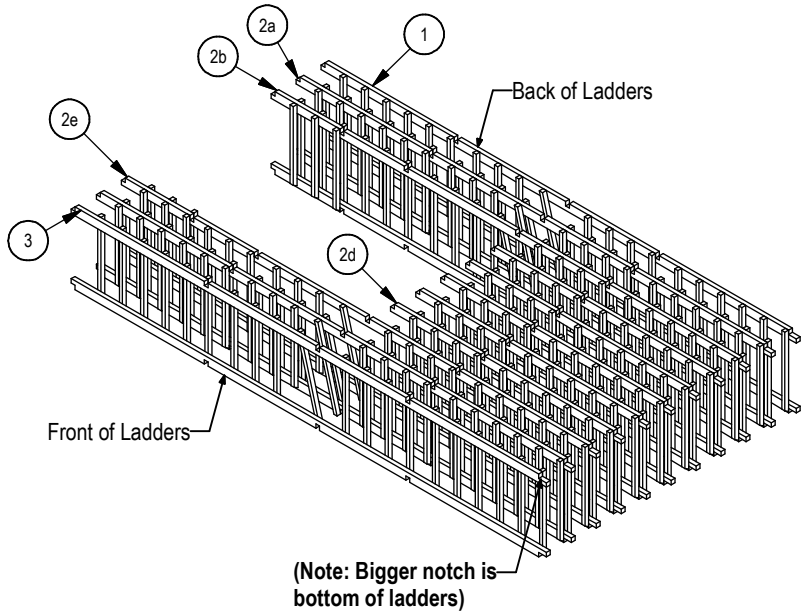
9 - Counter Top (QTY: 1)



7 - Stemware Display (QTY: 1)

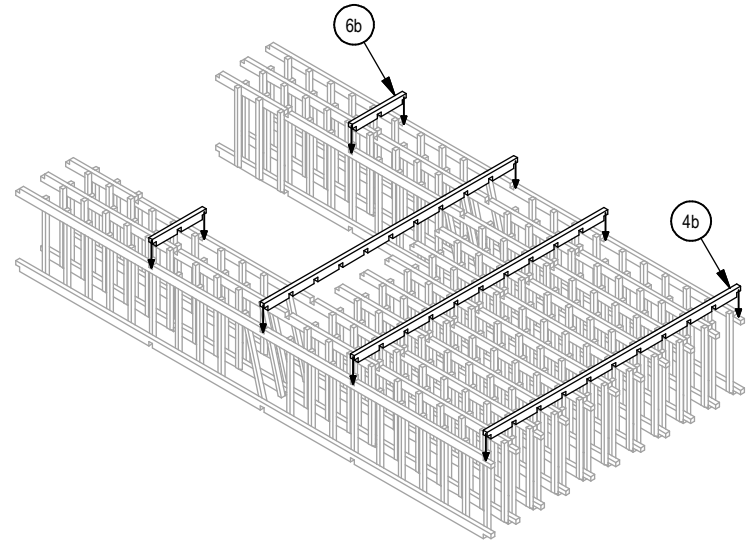
**STEP 1**

Starting from the back of the racks. Place the front of ladders on flat, soft surface, so not to damage front of racks. Space the ladders accordingly. **(Note: Ensure proper placement of ladders, and bottoms are all in same direction as shown.)**



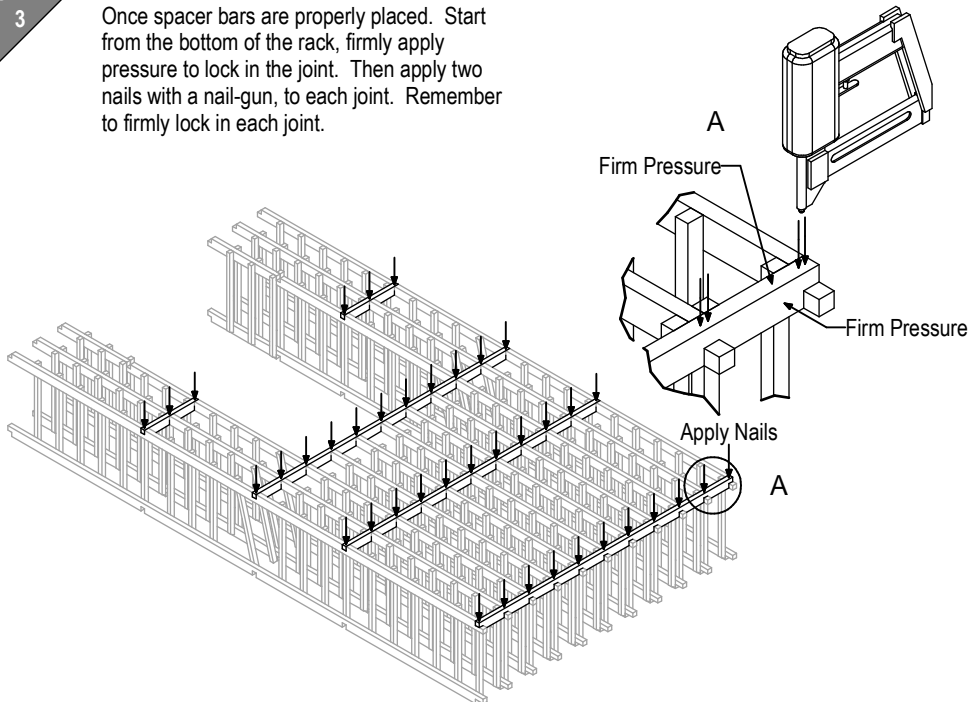
**STEP 2**

From the bottom and working your way up, place the back spacer bars (4b)(6b) according to the ladder notches. Make sure to carefully interlock the spacer bars to the ladders.



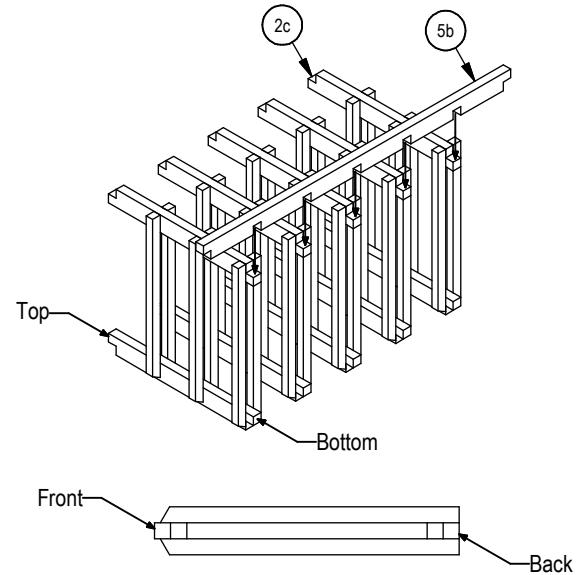
**STEP 3**

Once spacer bars are properly placed. Start from the bottom of the rack, firmly apply pressure to lock in the joint. Then apply two nails with a nail-gun, to each joint. Remember to firmly lock in each joint.



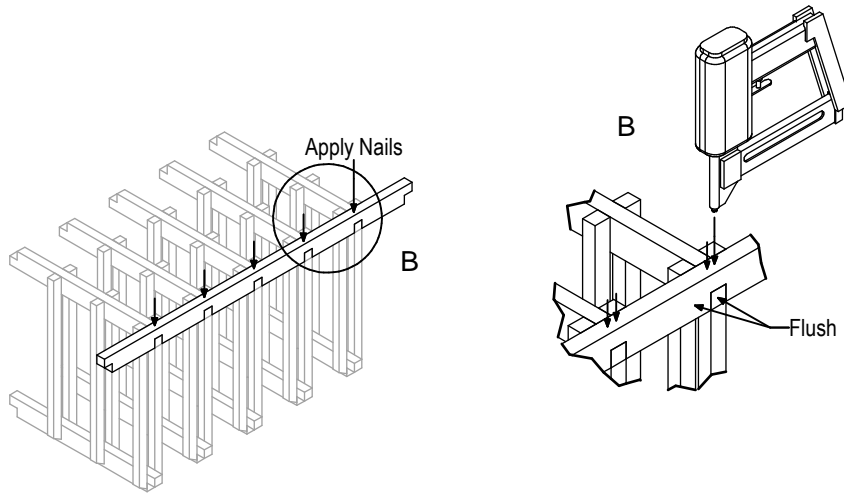
**STEP 4**

Place the middle ladders (2c) facing down on flat, soft surface, so not to damage front of racks. Space the ladders accordingly and put the back spacer bar (5b) into place. Make sure to center the spacer bar to the ladders. Spacer bar should extend past ladders at each end.



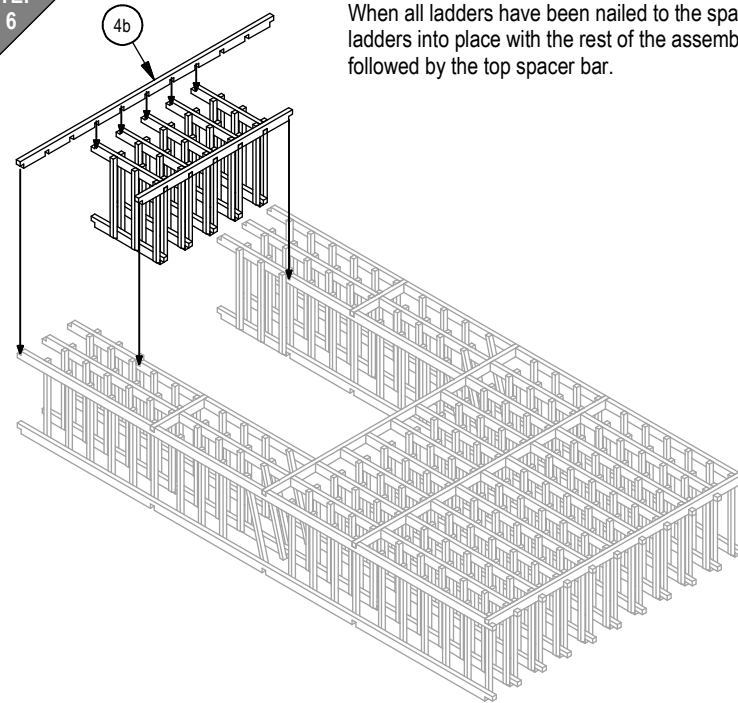
**STEP 5**

Flush the bottom of the spacer bar to the bottom of the ladders. Lock in place firm and apply two nails with a nail-gun to each joint.



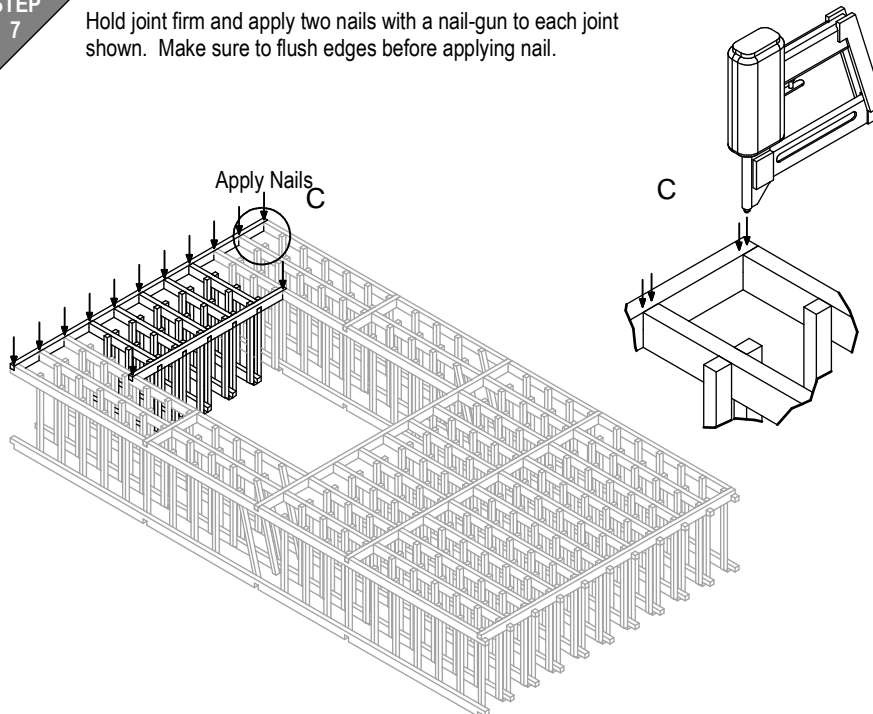
**STEP 6**

When all ladders have been nailed to the spacer bar, slide the ladders into place with the rest of the assembly as shown, followed by the top spacer bar.



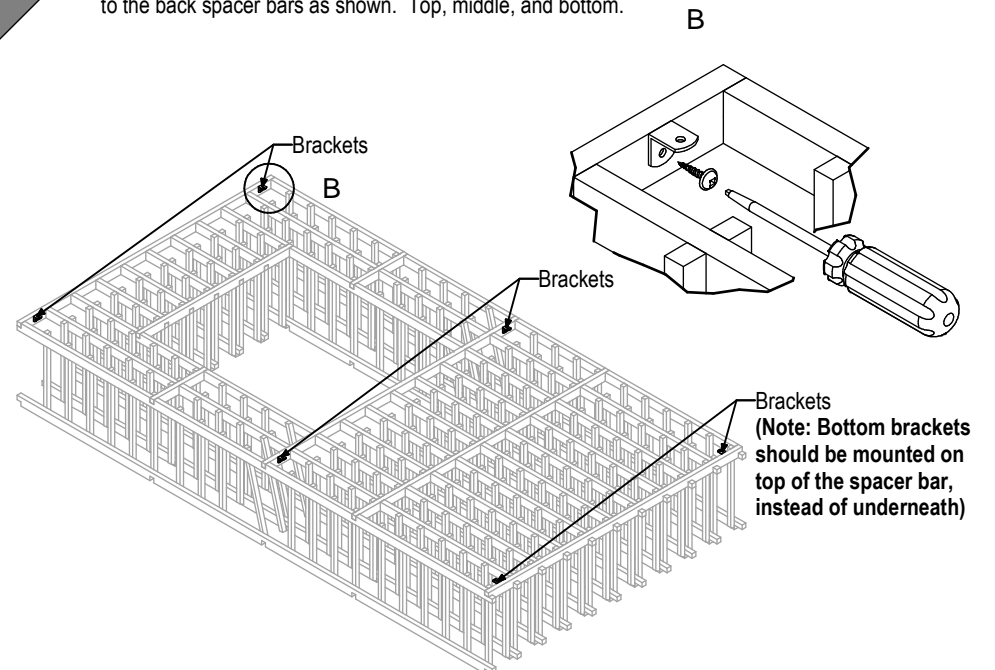
**STEP 7**

Hold joint firm and apply two nails with a nail-gun to each joint shown. Make sure to flush edges before applying nail.



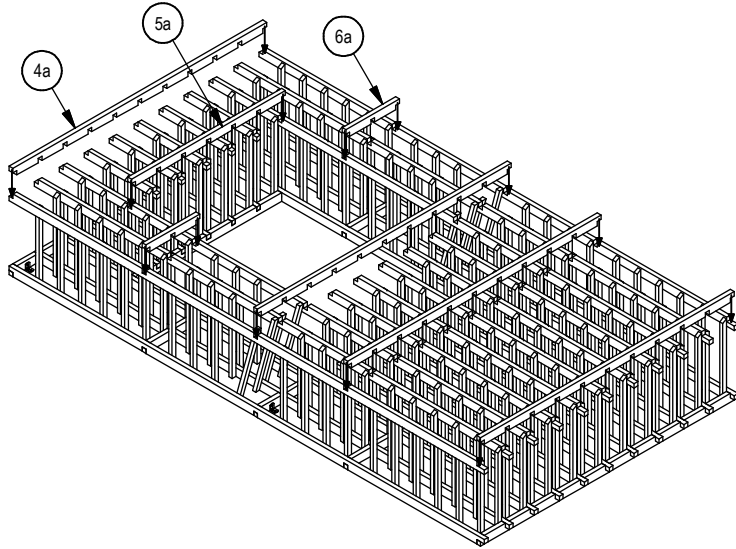
**STEP 8**

While backs are still facing up, screw the angled brackets, to the back spacer bars as shown. Top, middle, and bottom.



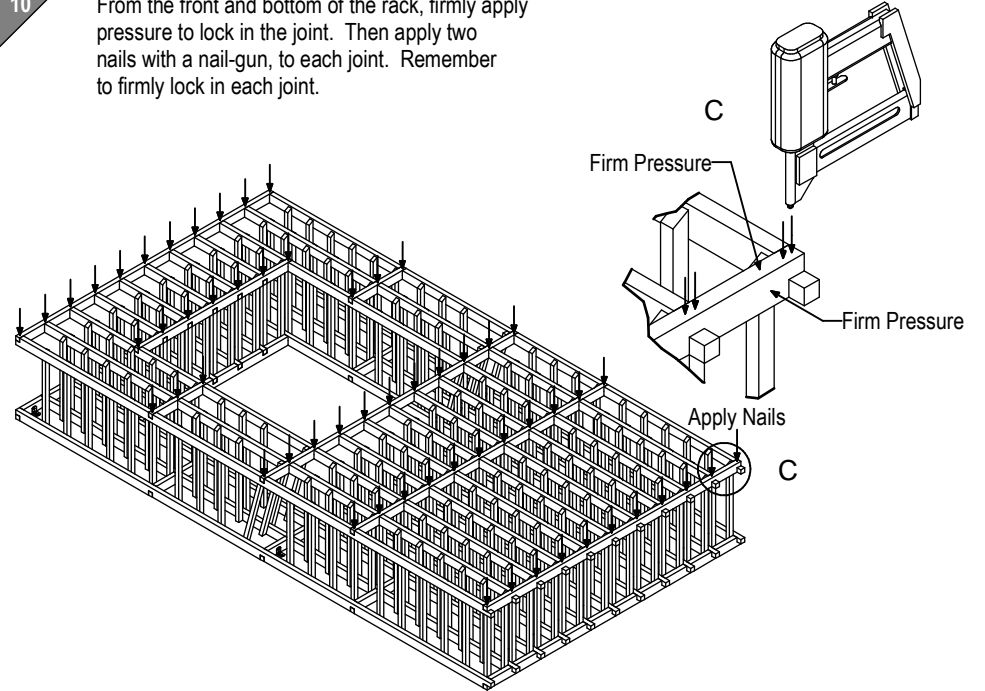
**STEP**  
**9**

With the help of another person, turn the rack so the back is on the floor, and the front is facing up. Starting from bottom up, place the front spacer bars (4a)(5a)(6a) according to the ladder notches. Make sure to carefully interlock the spacer bars to the ladders.



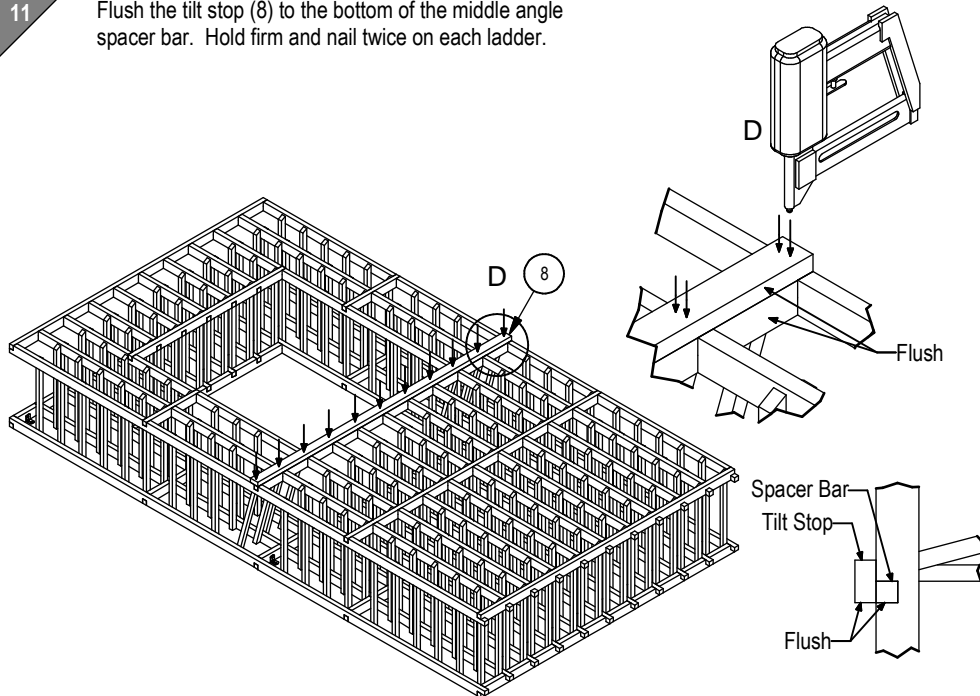
**STEP**  
**10**

From the front and bottom of the rack, firmly apply pressure to lock in the joint. Then apply two nails with a nail-gun, to each joint. Remember to firmly lock in each joint.



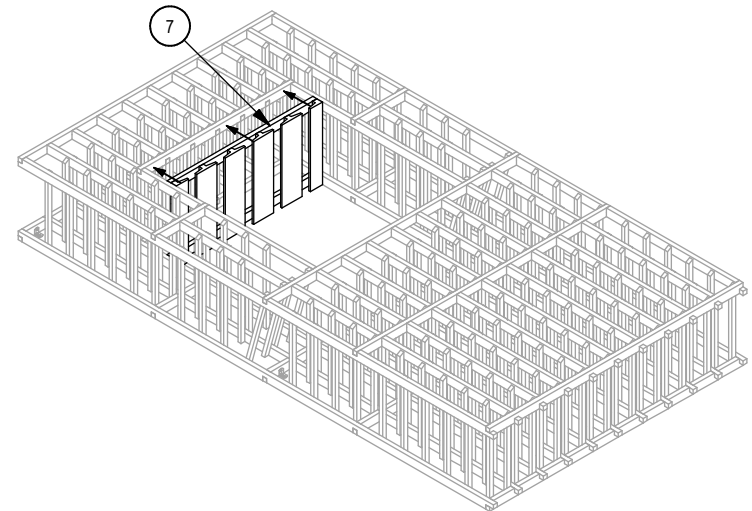
**STEP**  
**11**

Flush the tilt stop (8) to the bottom of the middle angle spacer bar. Hold firm and nail twice on each ladder.



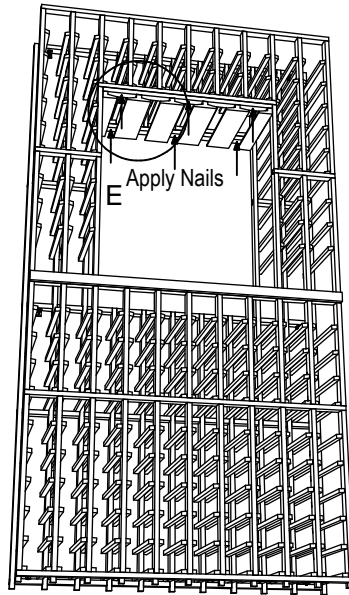
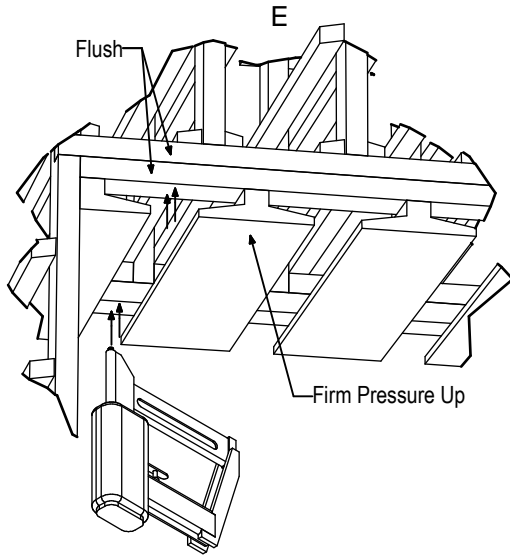
**STEP**  
**12**

Place the stemware as shown.



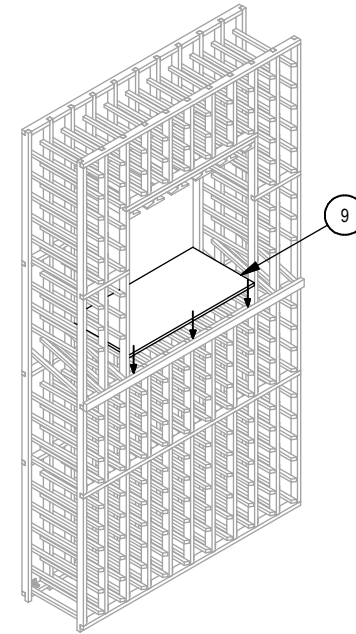
STEP  
13

Flush the stemware to the front of the front spacer bar. With the help of another person, hold in place the stemware and nail from the bottom into the spacer bars. Far left side, far right side, and middle.



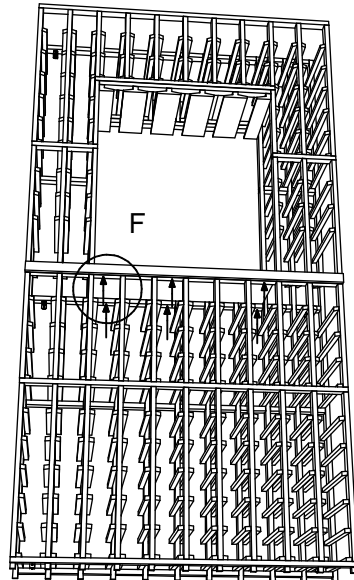
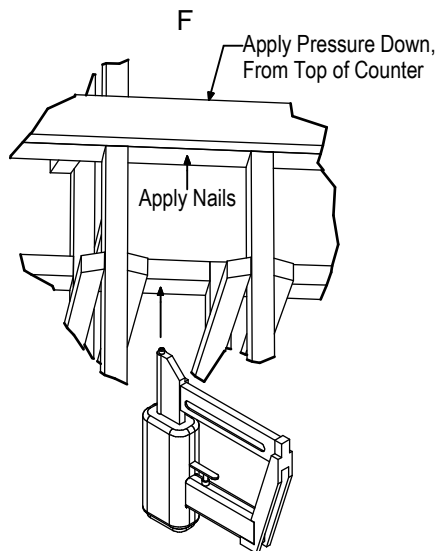
STEP  
14

Stand the rack upright. Place the counter top (9) above the lower racks.



STEP  
15

Applying the counter top, position edge of counter against tilt stop. Press down on counter, and nail spacer bar to counter from bottom side.



STEP  
16

Optional, finish the display rack by applying the base and crown mould.

