



GenuwineCellars
Reserve

ELITE KIT RACK ASSEMBLY INSTRUCTION

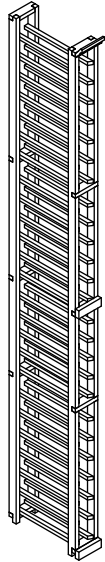
*Elite Kit Rack Single-Column
Standard/Half-Bottle/Magnum
Modular Wine Rack*

ELITE KIT RACK ASSEMBLY INSTRUCTION

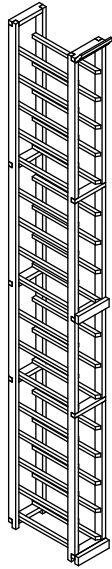
Thank you for purchasing Elite Kit Rack by Genuine Cellars. The following instructions will help you assemble the 750ml 3 COLUMN RACK. The same procedure can be applied to the following kits shown.

Please study the instructions carefully prior to starting the assembly.

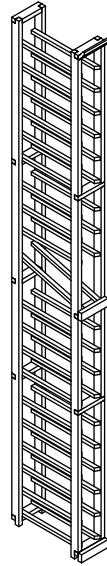
375ml SINGLE COLUMN RACK



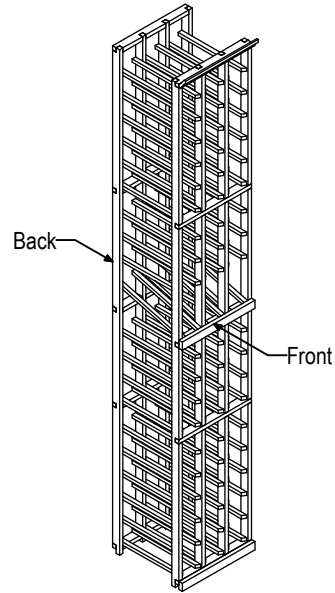
1.5L SINGLE COLUMN RACK



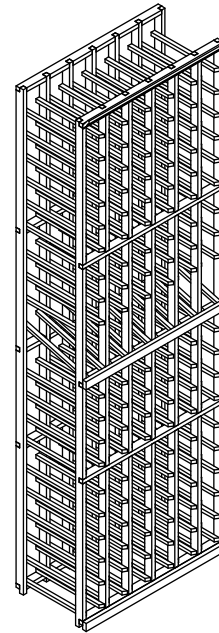
750ml SINGLE COLUMN RACK



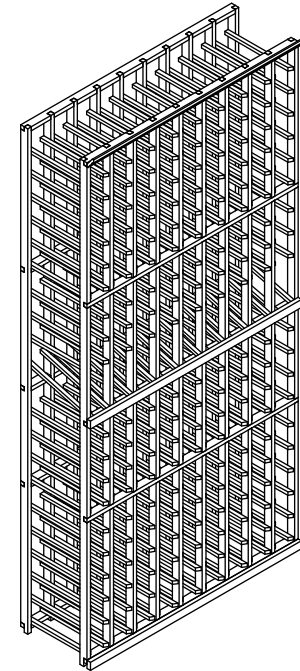
750ml 3 COLUMN RACK



750ml 6 COLUMN RACK

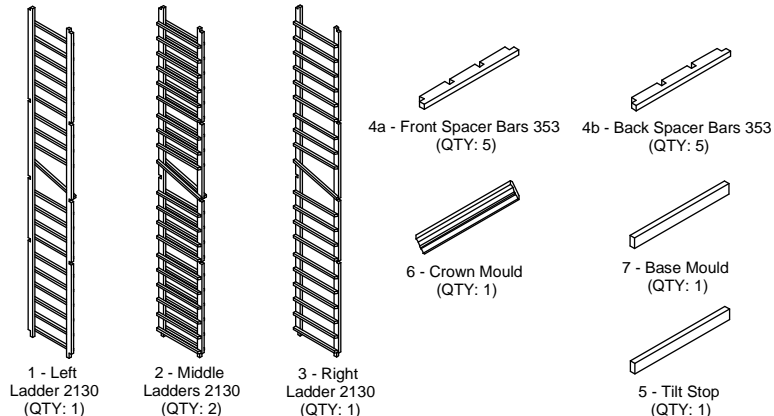


750ml 9 COLUMN RACK



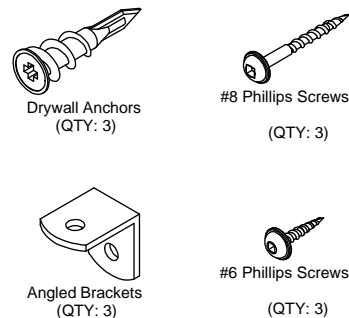
COMPONENTS

The following components are included in the 750ml 3 COLUMN RACK.
(COMPONENTS WILL VARY IN QUANTITY AND SIZE, DEPENDING ON KIT.)



HARDWARE

The following hardware is included in all kits:
(QUANTITY WILL VARY, DEPENDING ON KIT.)

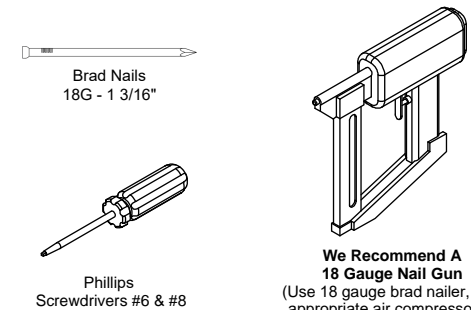


TOOLS REQUIRED

The following hardware and tools are required (NOT INCLUDED):

IMPORTANT!

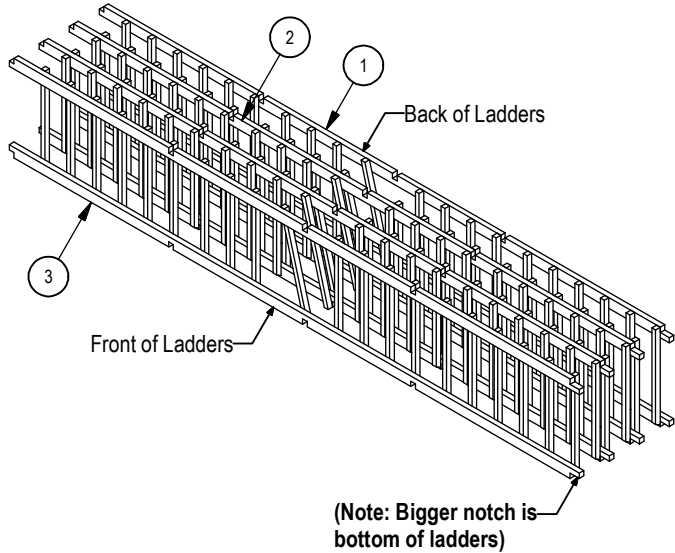
Always follow the manufacturer's instructions on how to use the nail gun, to prevent injury. Genuine Cellars is not liable for any injury incurred while assembling the kit.



We Recommend A 18 Gauge Nail Gun
(Use 18 gauge brad nailer, with appropriate air compressor or electric nailer set to 80psi, to prevent splitting)

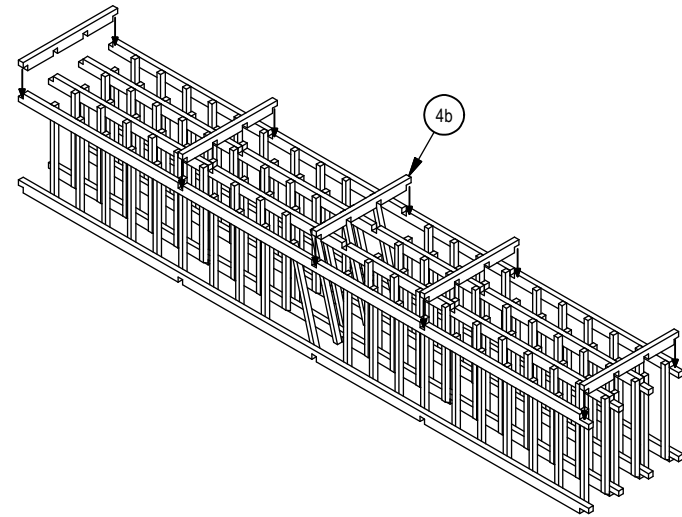
STEP 1

Starting from the back of the racks. Place the ladders on flat, soft surface, so not to damage front of racks. Space the ladders accordingly. **(Note: Ensure proper placement of ladders, and bottoms are all in same direction. Left and right ladders, are placed on the ends. Bottle tilt should be in same direction.)**



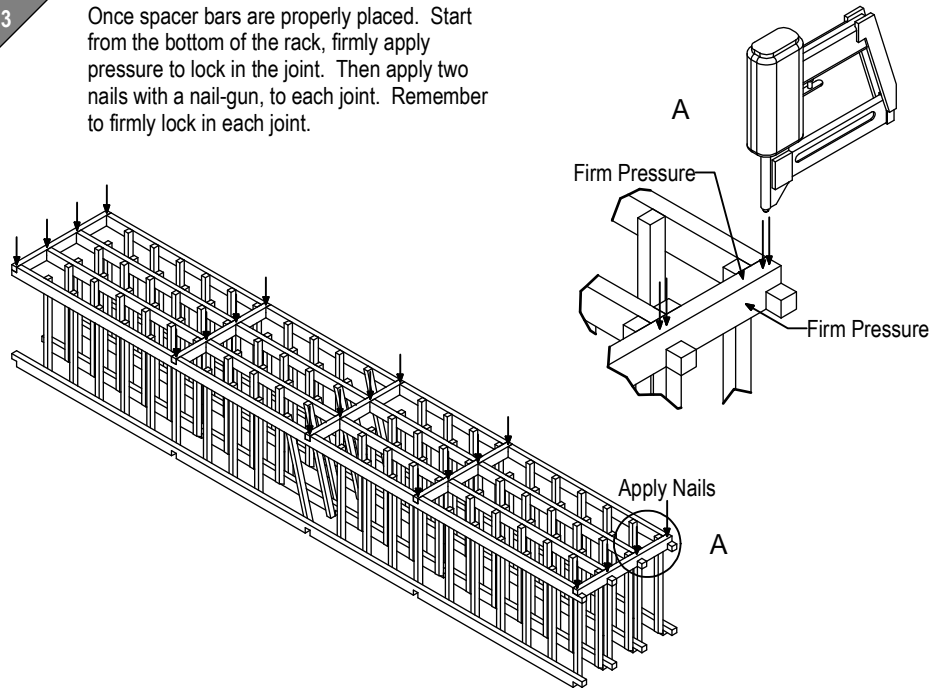
STEP 2

From the bottom and working your way up, place the back spacer bars (4b) according to the ladder notches. Make sure to carefully interlock the spacer bars to the ladders.



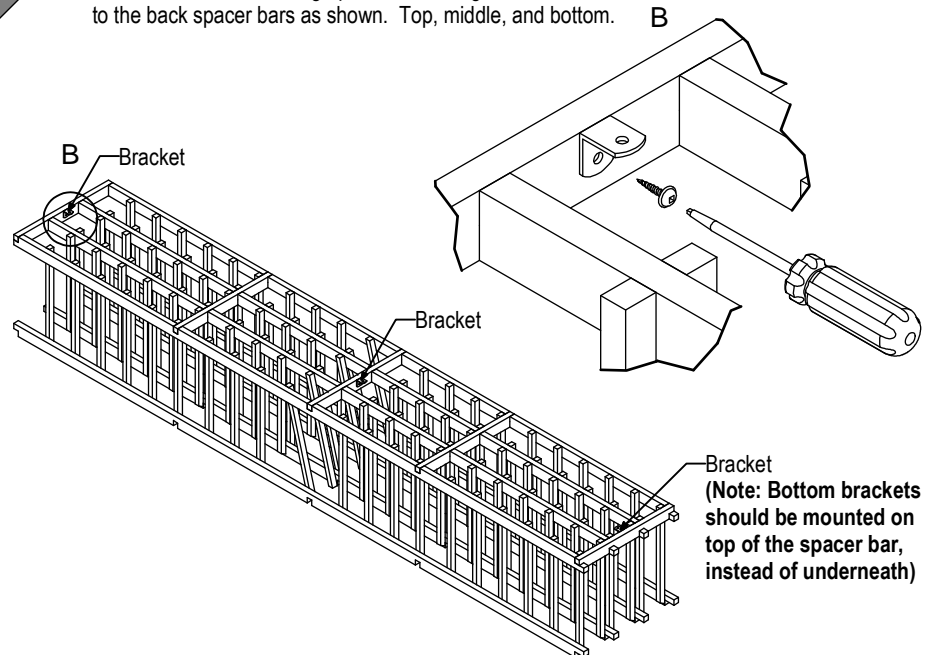
STEP 3

Once spacer bars are properly placed. Start from the bottom of the rack, firmly apply pressure to lock in the joint. Then apply two nails with a nail-gun, to each joint. Remember to firmly lock in each joint.



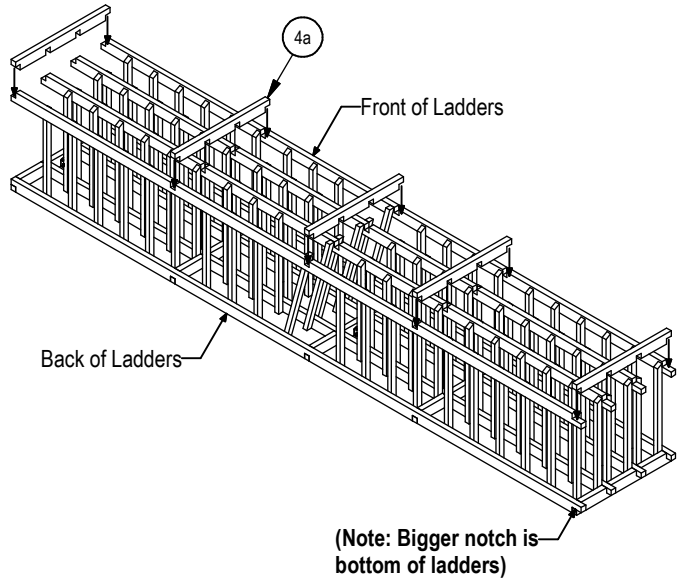
STEP 4

While backs are still facing up, screw the angled brackets to the back spacer bars as shown. Top, middle, and bottom.



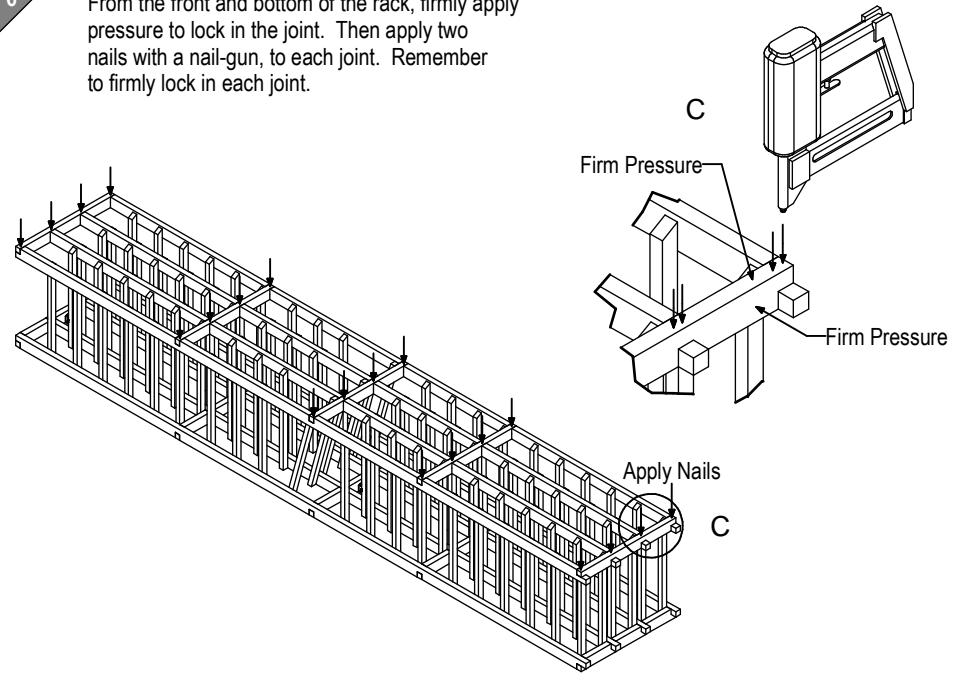
STEP 5

With the help of another person, turn the rack so the back is on the floor, and the front is facing up. Starting from bottom up, place the front spacer bars (4a) according to the ladder notches. Make sure to carefully interlock the spacer bars to the ladders.



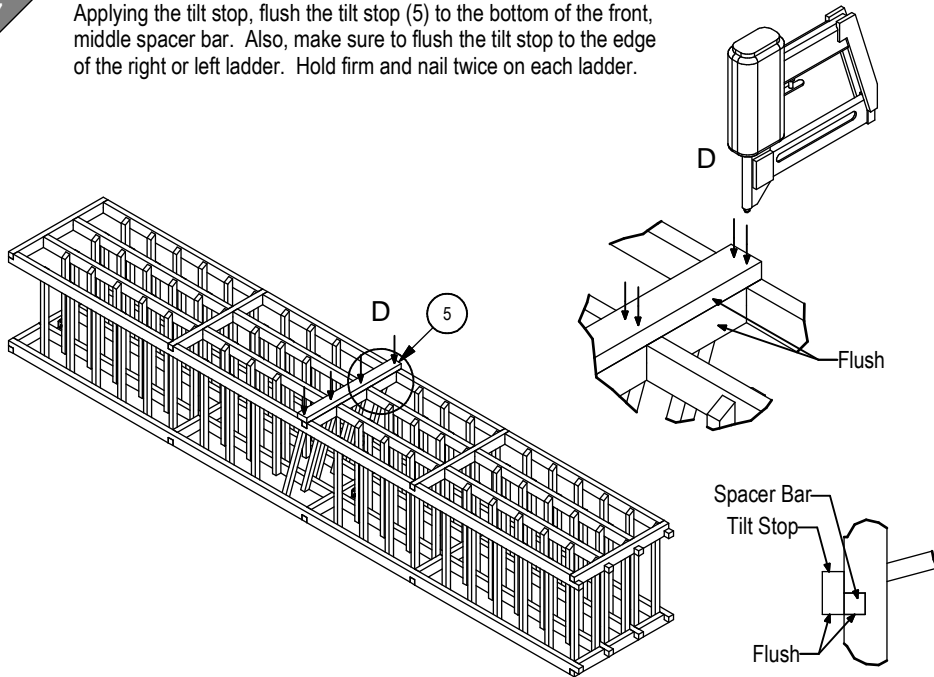
STEP 6

From the front and bottom of the rack, firmly apply pressure to lock in the joint. Then apply two nails with a nail-gun, to each joint. Remember to firmly lock in each joint.



STEP 7

Applying the tilt stop, flush the tilt stop (5) to the bottom of the front, middle spacer bar. Also, make sure to flush the tilt stop to the edge of the right or left ladder. Hold firm and nail twice on each ladder.



STEP 8

Optional, finish the 750ml column by applying the base and crown mould.

