



GenuwineCellars Reserve

ELITE KIT RACK ASSEMBLY INSTRUCTION

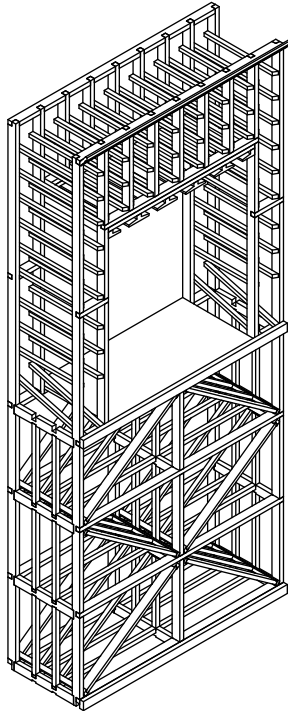
*Elite Kit Rack Diamond Bin Tasting
Display Modular Wine Rack*

ELITE KIT RACK ASSEMBLY INSTRUCTION

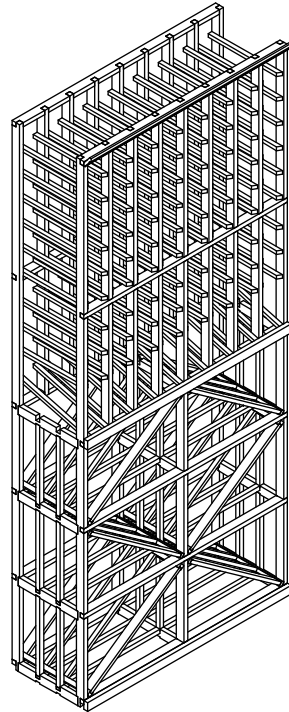
Thank you for purchasing Elite Kit Rack by Genuine Cellars. The following instructions will help you assemble the 750ml TASTING DISPLAY DIAMOND BINS. The same procedure can be applied to the following kits shown.

Please study the instructions carefully prior to starting the assembly.

750ml TASTING DISPLAY DIAMOND BINS

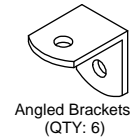
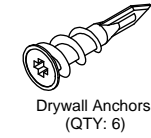


750ml 8 COLUMN DIAMOND BINS



HARDWARE

The following hardware is included in all kits:
(QUANTITY WILL VARY, DEPENDING ON KIT.)

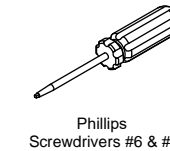
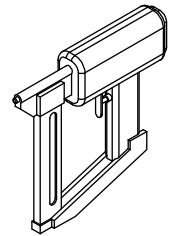
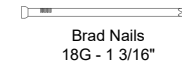


TOOLS REQUIRED

The following hardware and tools are required (NOT INCLUDED):

IMPORTANT!

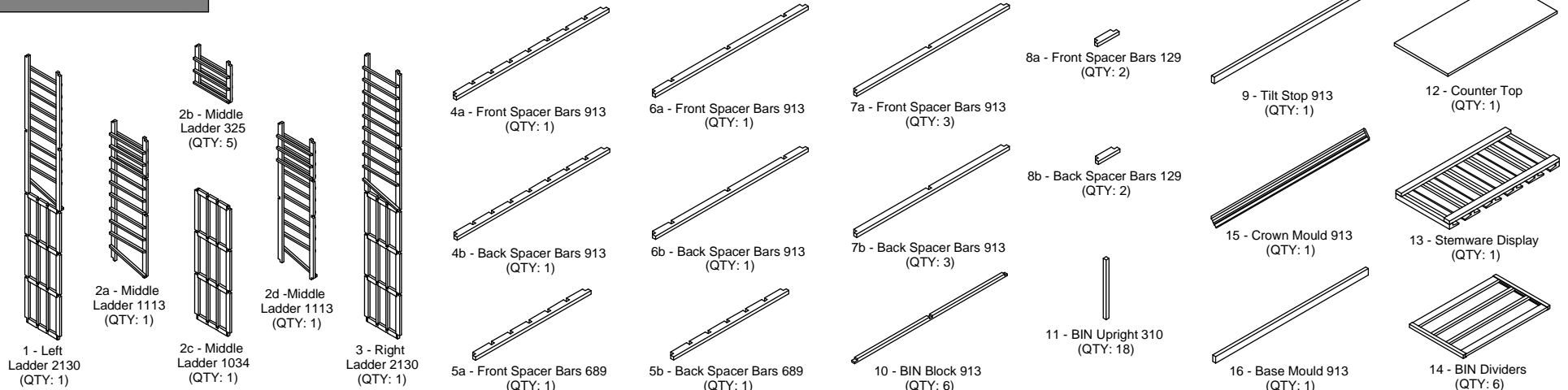
Always follow the manufacturer's instructions on how to use the nail gun, to prevent injury. Genuine Cellars is not liable for any injury incurred while assembling the kit.



We Recommend A 18 Gauge Nail Gun
(Use 18 gauge brad nailer, with appropriate air compressor or electric nailer set to 80psi, to prevent splitting)

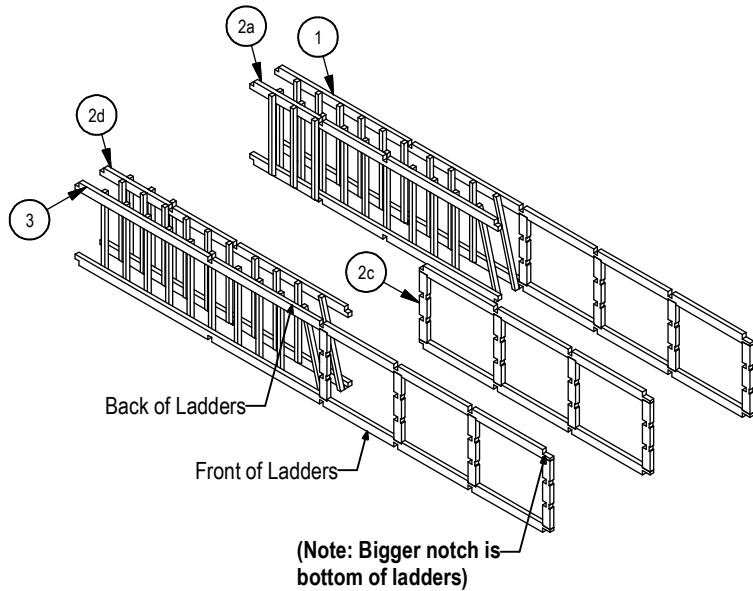
COMPONENTS

The following components are included in the 750ml TASTING DISPLAY DIAMOND BINS.



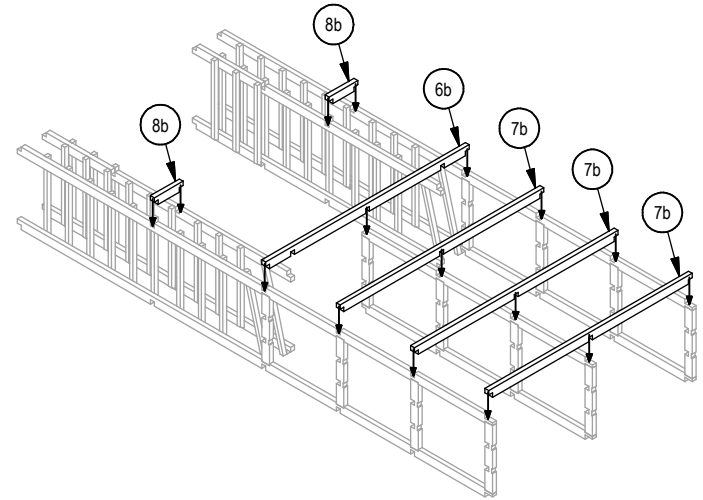
STEP 1

Starting from the back of the racks. Place the front of ladders on flat, soft surface, so not to damage front of racks. Space the ladders accordingly. **(Note: Ensure proper placement of ladders, and bottoms are all in same direction as shown.)**



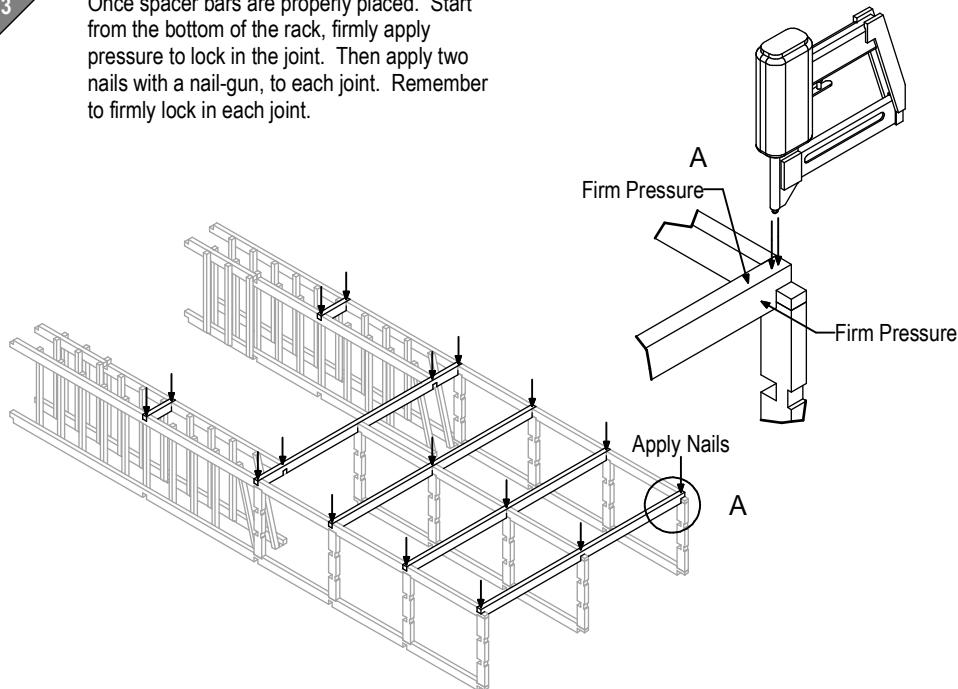
STEP 2

From the bottom and working your way up, place the back spacer bars (6b)(7b)(8b) according to the ladder notches. Make sure to carefully interlock the spacer bars to the ladders.



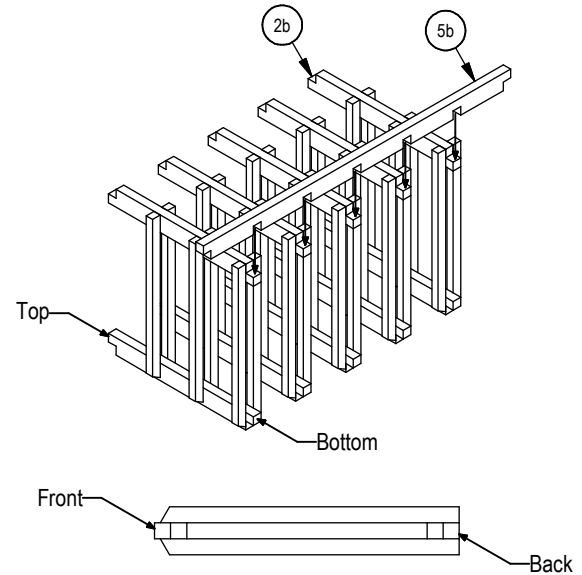
STEP 3

Once spacer bars are properly placed. Start from the bottom of the rack, firmly apply pressure to lock in the joint. Then apply two nails with a nail-gun, to each joint. Remember to firmly lock in each joint.



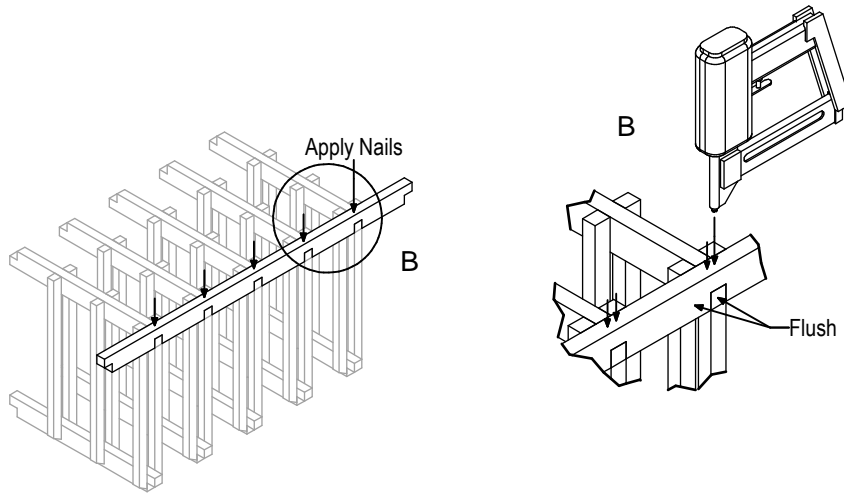
STEP 4

Place the middle ladders (2b) facing down on flat, soft surface, so not to damage front of racks. Space the ladders accordingly and put the back spacer bar (5b) into place. Make sure to center the spacer bar to the ladders. Spacer bar should extend past ladders at each end.



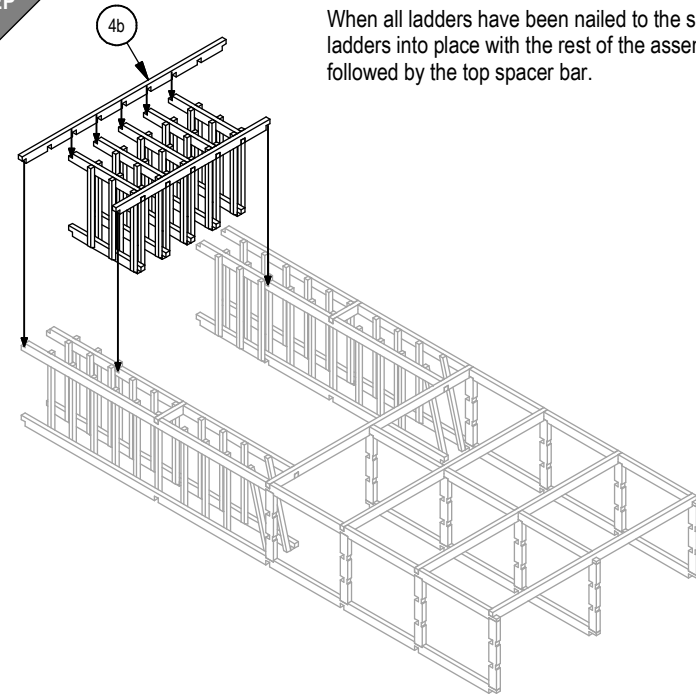
STEP
5

Flush the bottom of the spacer bar to the bottom of the ladders. Lock in place firm and apply two nails with a nail-gun to each joint.



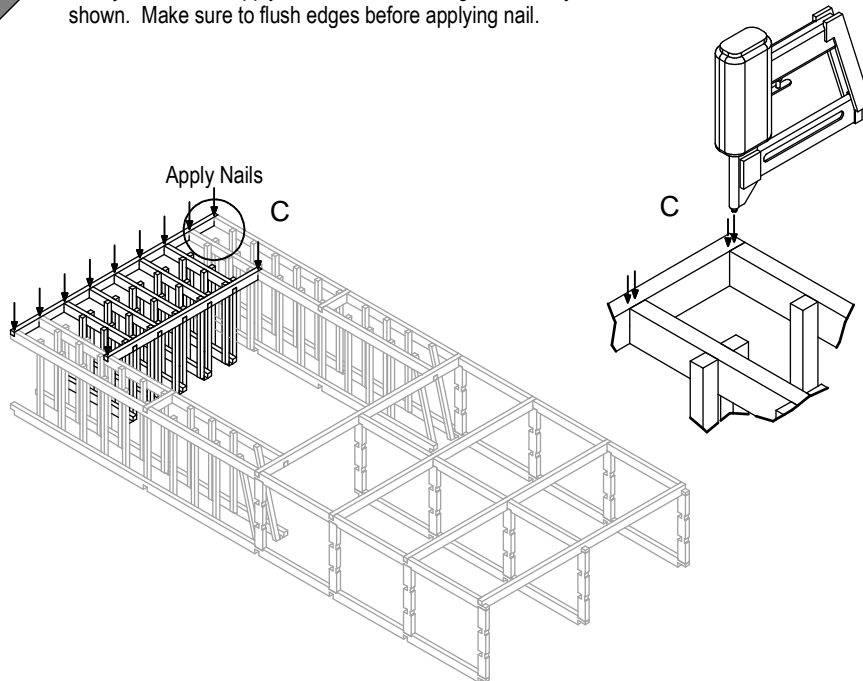
STEP
6

When all ladders have been nailed to the spacer bar, slide the ladders into place with the rest of the assembly as shown, followed by the top spacer bar.



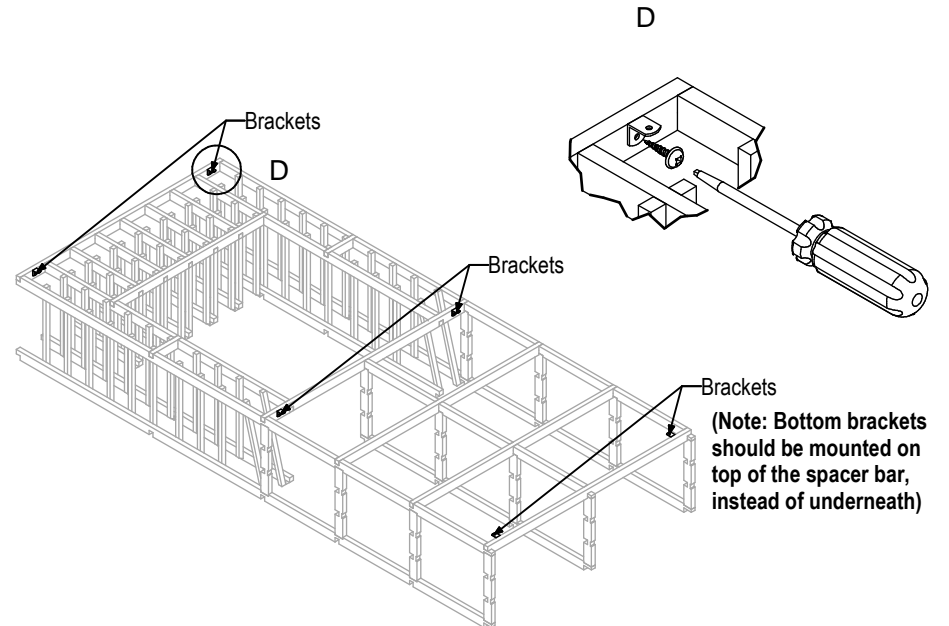
STEP
7

Hold joint firm and apply two nails with a nail-gun to each joint shown. Make sure to flush edges before applying nail.



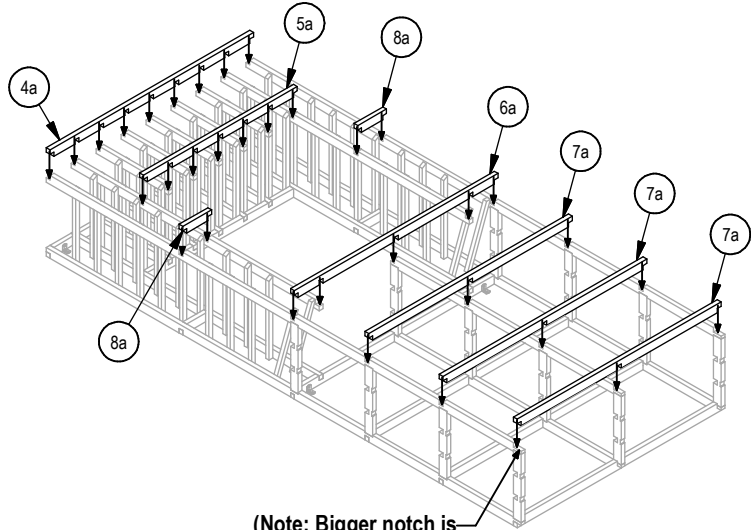
STEP
8

While backs are still facing up, screw the angled brackets, to the back spacer bars as shown. Top, middle, and bottom.



STEP 9

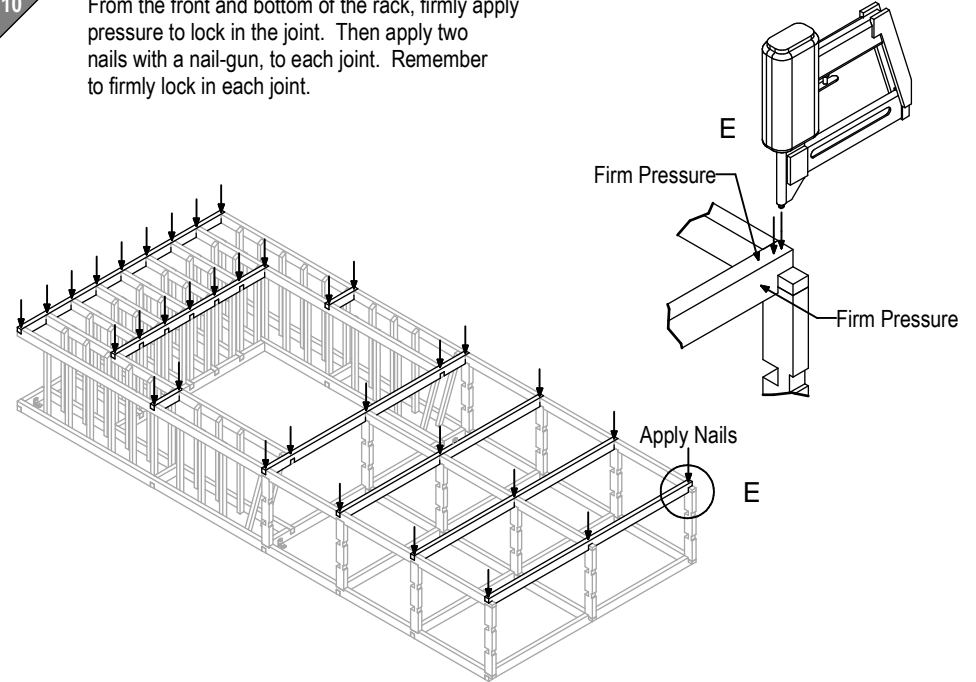
With the help of another person, turn the rack so the back is on the floor, and the front is facing up. Starting from bottom up, place the front spacer bars (4a)(5a)(6a)(7a)(8a) according to the ladder notches. Make sure to carefully interlock the spacer bars to the ladders.



(Note: Bigger notch is bottom of ladders)

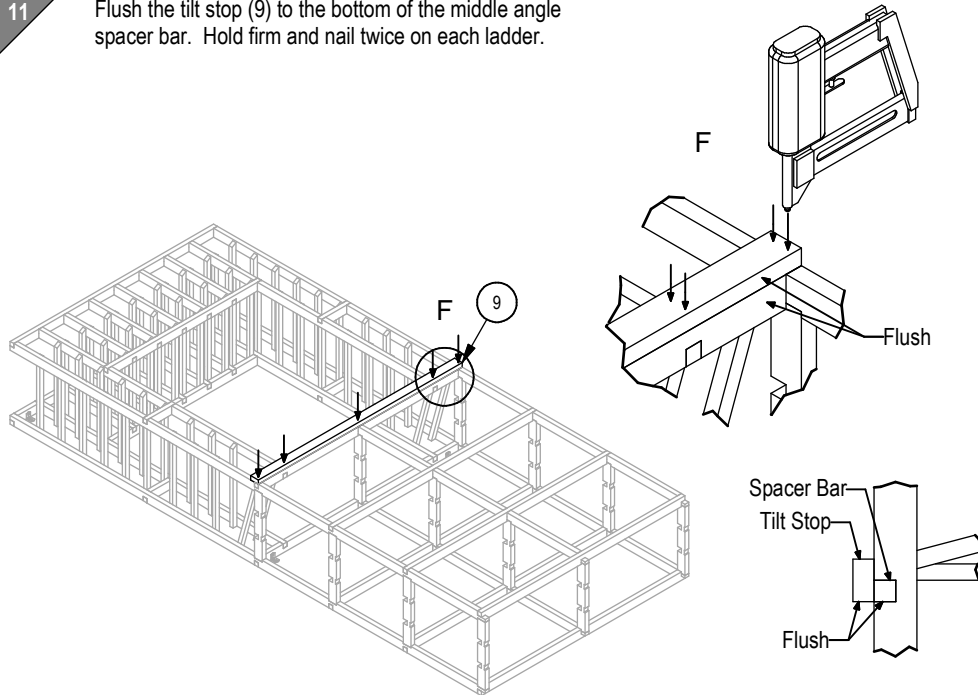
STEP 10

From the front and bottom of the rack, firmly apply pressure to lock in the joint. Then apply two nails with a nail-gun, to each joint. Remember to firmly lock in each joint.



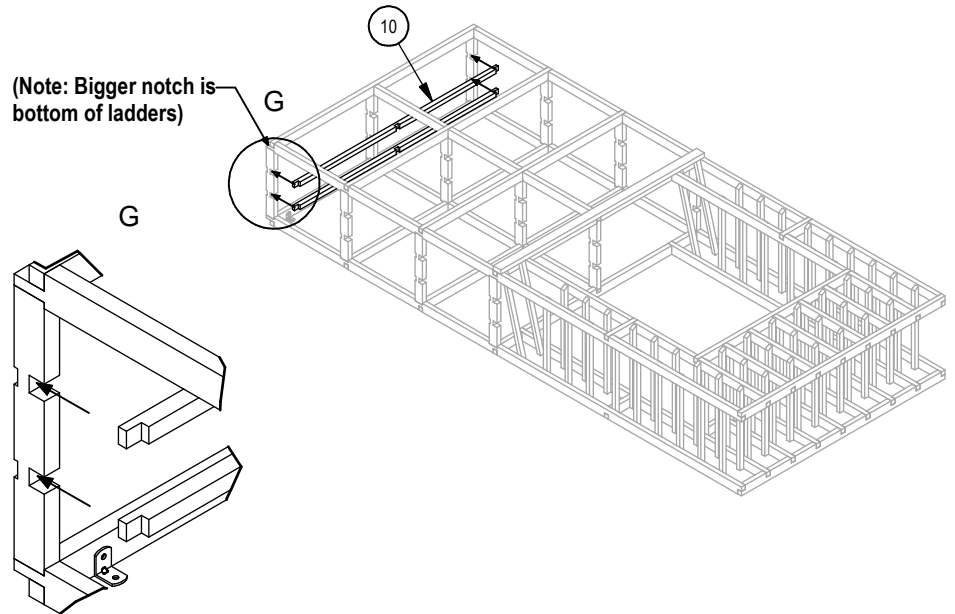
STEP 11

Flush the tilt stop (9) to the bottom of the middle angle spacer bar. Hold firm and nail twice on each ladder.



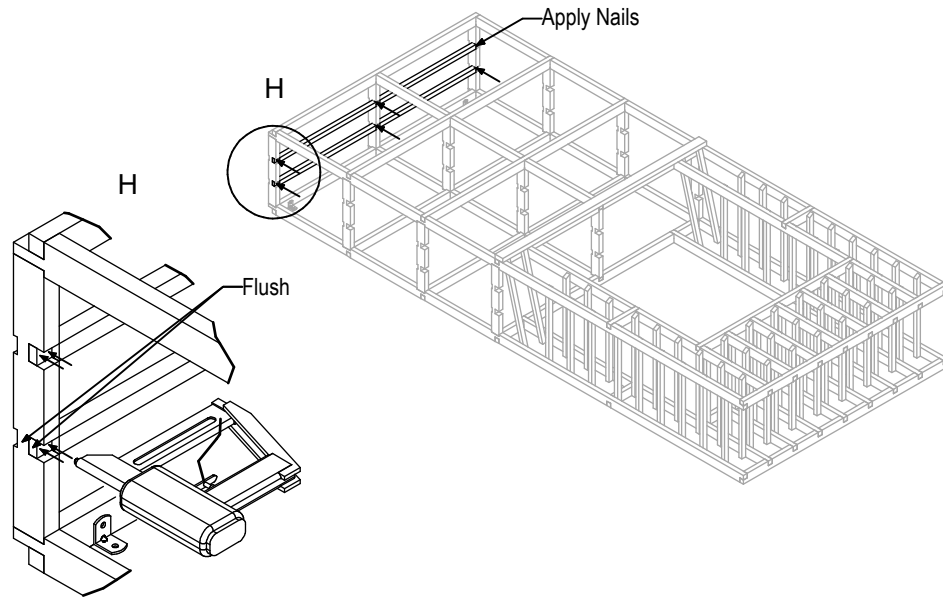
STEP 12

From the bottom of the bin, working with one row. Place two bin block (10) into the notches. Make sure the notches on the bin block is facing up as shown. (Note: Do not continue to the next row)



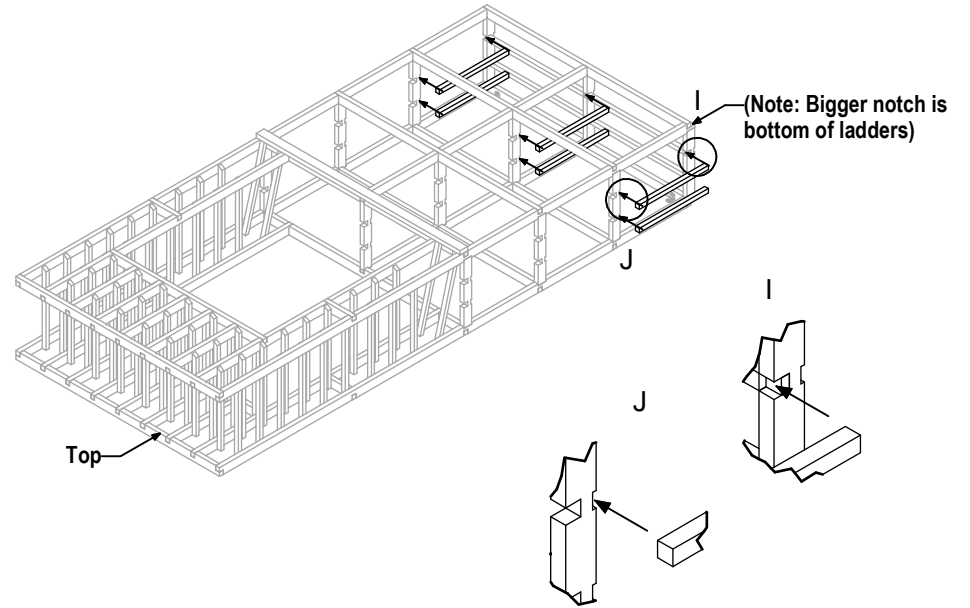
STEP
13

Flush the ends of the bin block to the outside of the ladders. Hold the joint tightly in place, and apply two nails as shown. Apply nails to the middle joints and the other end of the bin block.



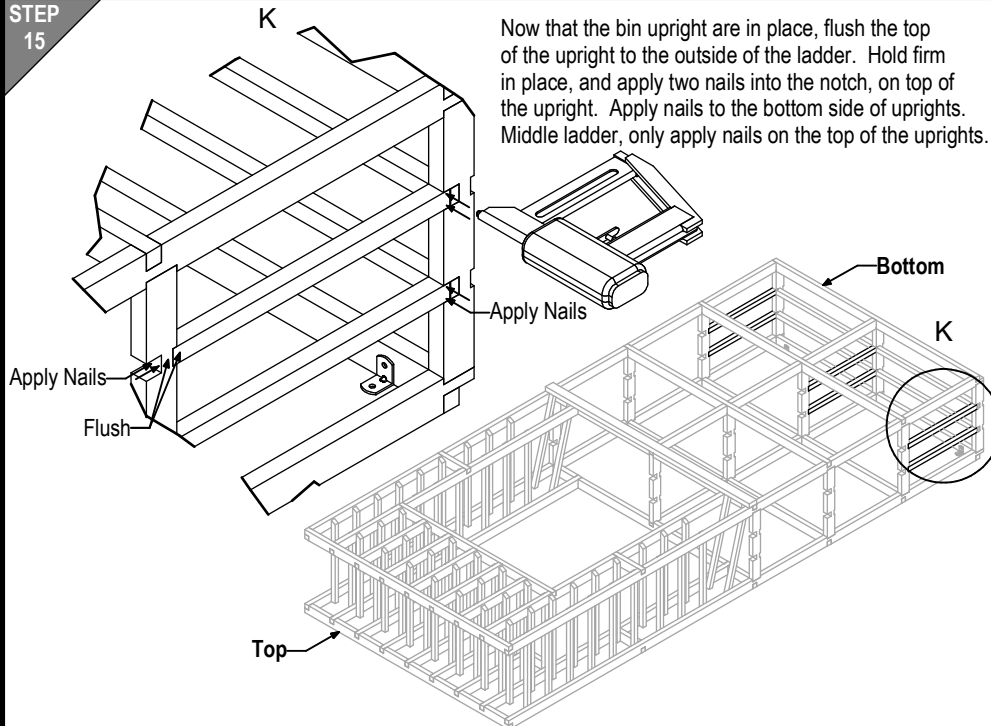
STEP
14

Once the first row bin blocks are done, slide the bin upright (11) into place, as shown. Again, work with the lower row first.



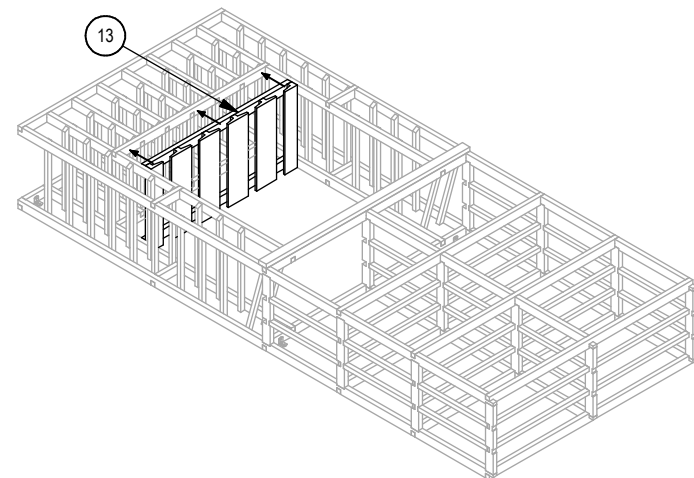
STEP
15

Now that the bin upright are in place, flush the top of the upright to the outside of the ladder. Hold firm in place, and apply two nails into the notch, on top of the upright. Apply nails to the bottom side of uprights. Middle ladder, only apply nails on the top of the uprights.



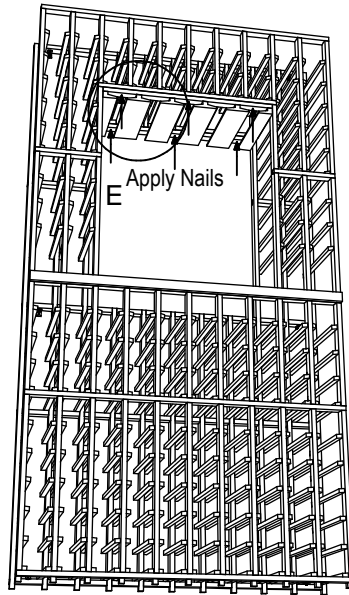
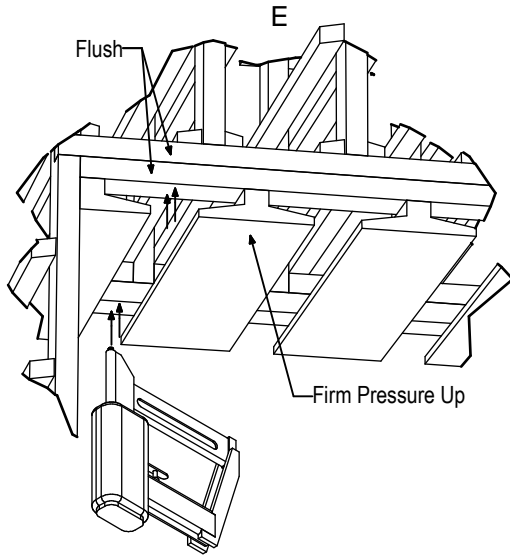
STEP
16

Complete the first row, and move to the next row. Make sure to assemble one row at a time. Bin blocks first, then the bin uprights are put into place. When everything is nailed together, the stemware (13) can be installed as shown.



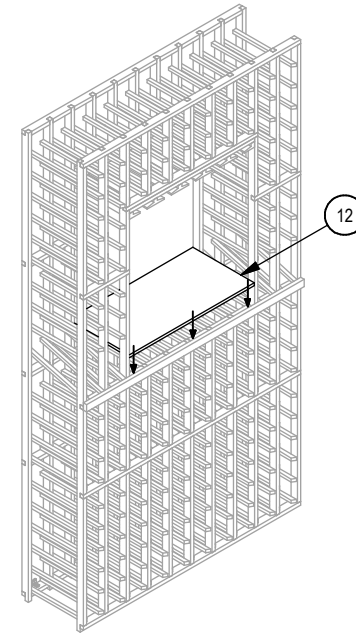
STEP
17

Flush the stemware to the front of the front spacer bar. With the help of another person, hold in place the stemware and nail from the bottom into the spacer bars. Far left side, far right side, and middle.



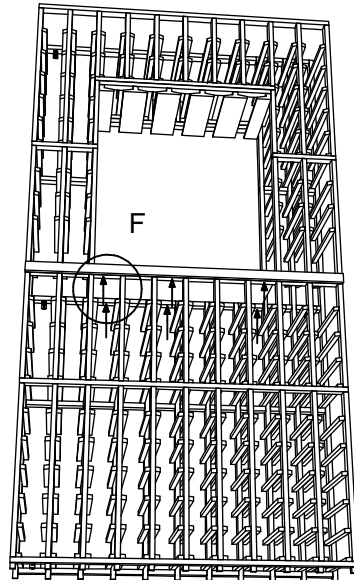
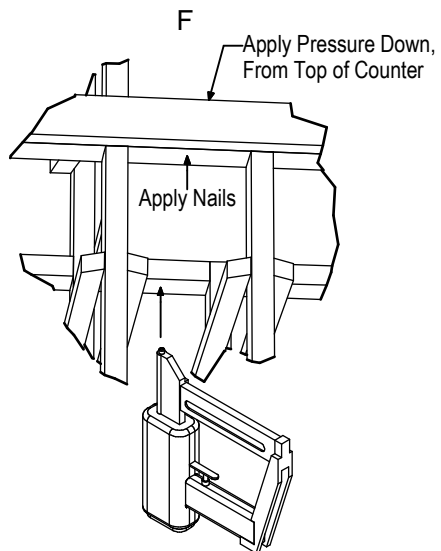
STEP
18

Stand the rack upright. Place the counter top (12) above the lower racks.



STEP
19

Applying the counter top, position edge of counter against tilt stop. Press down on counter, and nail spacer bar to counter from bottom side.



STEP
20

Complete the assembly, slide the dividers (14) into place. Optional, finish the display rack by applying the base and crown mould.

