



GenuwineCellars Reserve

ELITE KIT RACK ASSEMBLY
INSTRUCTION

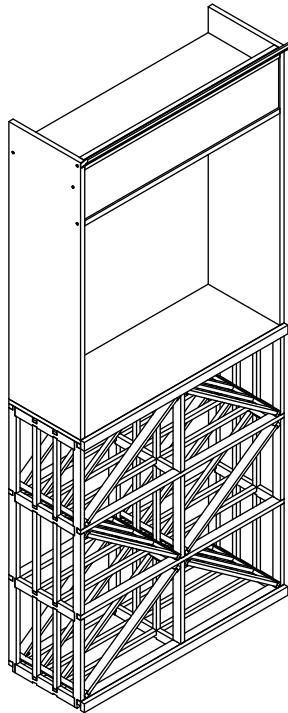
*Elite Kit Rack Diamond Bin Display
Modular Wine Rack*

ELITE KIT RACK ASSEMBLY INSTRUCTION

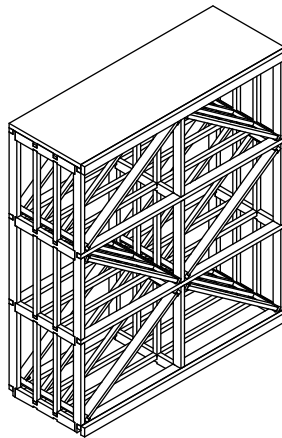
Thank you for purchasing Elite Kit Rack by Genuine Cellars. The following instructions will help you assemble the ARCH DISPLAY DIAMOND BINS. The same procedure can be applied to the following kits shown.

Please study the instructions carefully prior to starting the assembly.

ARCH DISPLAY DIAMOND BINS

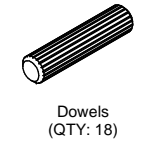
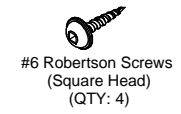
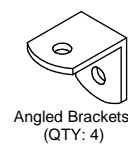
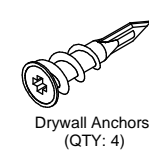


DIAMOND BINS HALF HEIGHT



HARDWARE

The following hardware is included in all kits:
(QUANTITY WILL VARY, DEPENDING ON KIT.)

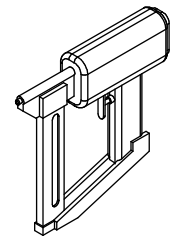
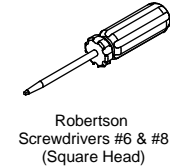


TOOLS REQUIRED

The following tools are required (NOT INCLUDED):

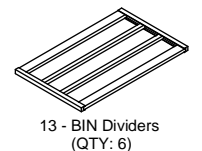
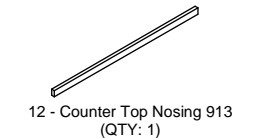
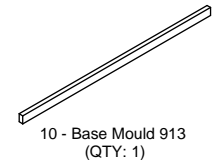
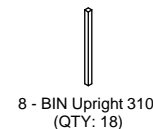
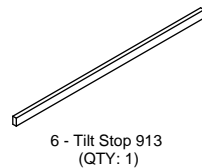
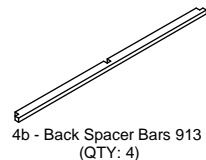
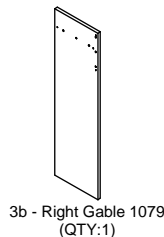
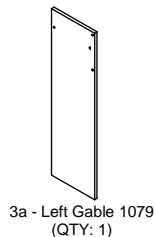
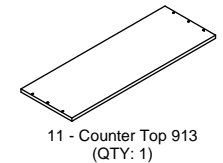
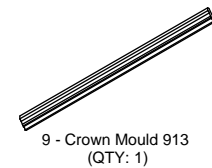
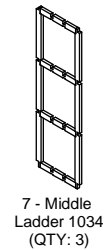
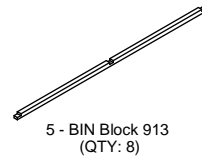
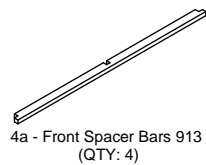
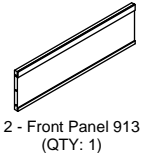
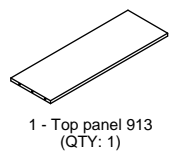
IMPORTANT!

Always follow the manufacturer's instructions on how to use the nail gun, to prevent injury. Genuine Cellars is not liable for any injury incurred while assembling the kit.



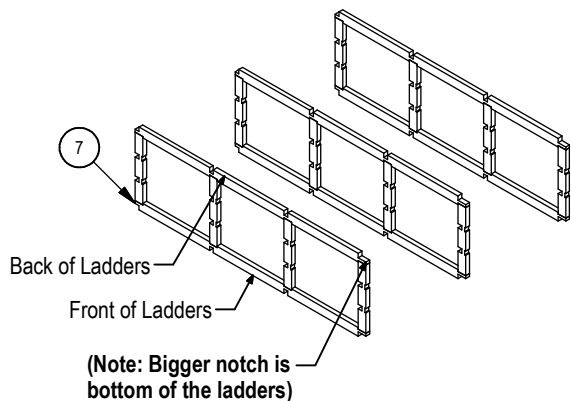
COMPONENTS

The following components are included in the ARCH DISPLAY DIAMOND BINS.



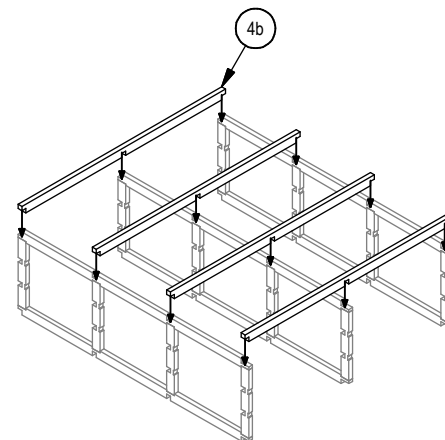
STEP 1

Starting from the back of the racks, place the front of the ladders (7) on a flat, soft surface, so not to damage the front of the racks. Space the ladders accordingly. **(Note: Ensure proper placement of ladders, and bottoms are all in same direction as shown.)**



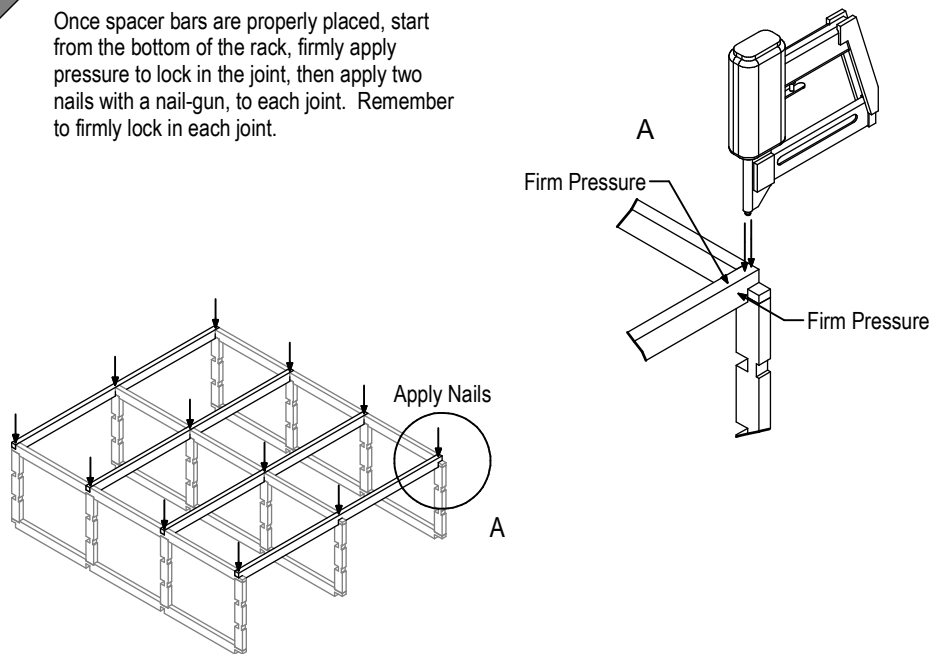
STEP 2

From the bottom and working your way up, place the back spacer bars (4b) according to the ladder notches. Make sure to carefully interlock the spacer bars to the ladders.



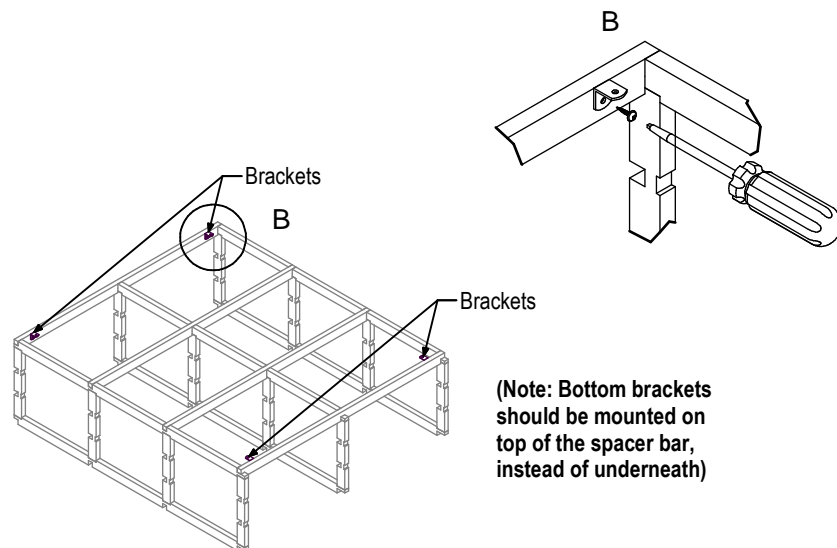
STEP 3

Once spacer bars are properly placed, start from the bottom of the rack, firmly apply pressure to lock in the joint, then apply two nails with a nail-gun, to each joint. Remember to firmly lock in each joint.



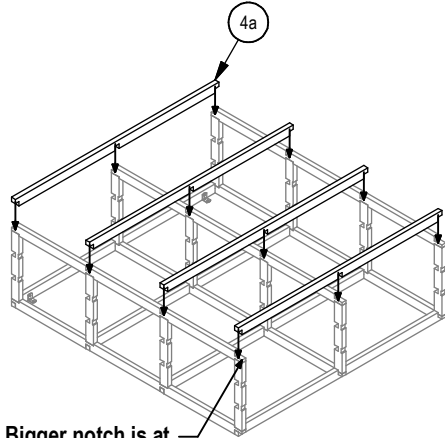
STEP 4

While backs are still facing up, screw the angled brackets to the back spacer bars as shown, top and bottom.



STEP 5

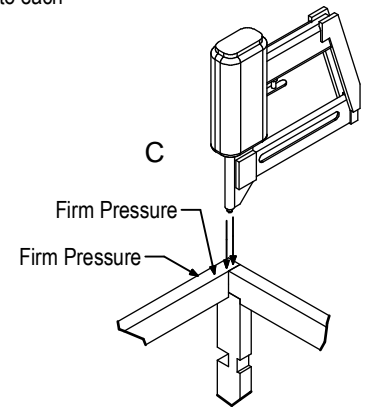
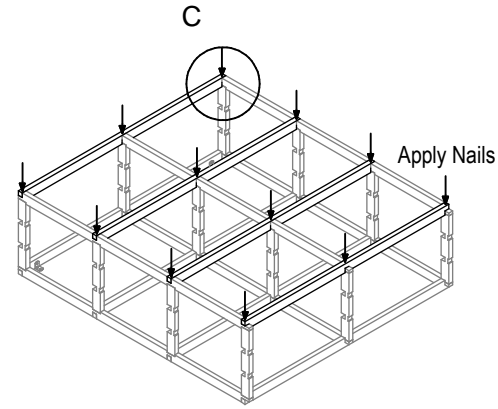
With the help of another person, turn the rack so the back is on the floor, and the front is facing up. Starting from bottom up, place the front spacer bars (4a) according to the ladder notches. Make sure to carefully interlock the spacer bars to the ladders.



(Note: Bigger notch is at bottom of the ladders)

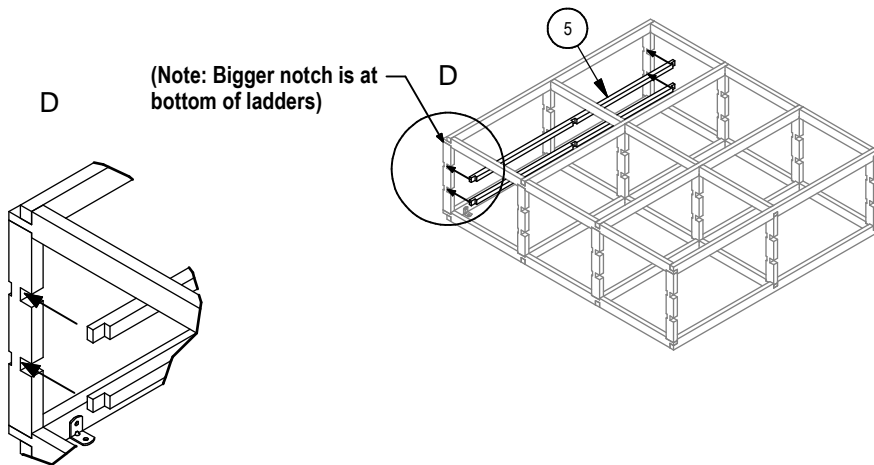
STEP 6

From the front and back of the rack, firmly apply pressure to lock in the joint, then apply two nails with a nail gun to each joint. Remember to firmly lock in each joint.



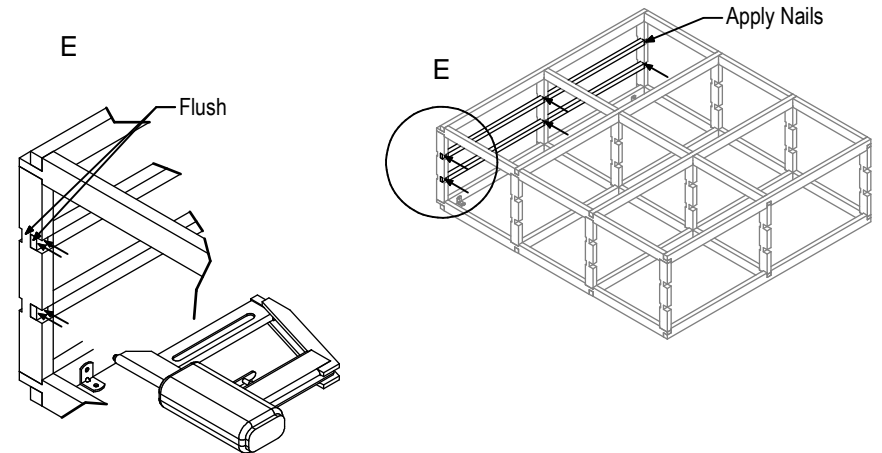
STEP 7

From the bottom of the bin, working with one row, place two bin blocks (5) into the notches. Make sure the notches on the bin blocks are facing up as shown. (Note: Do not continue to the next row)



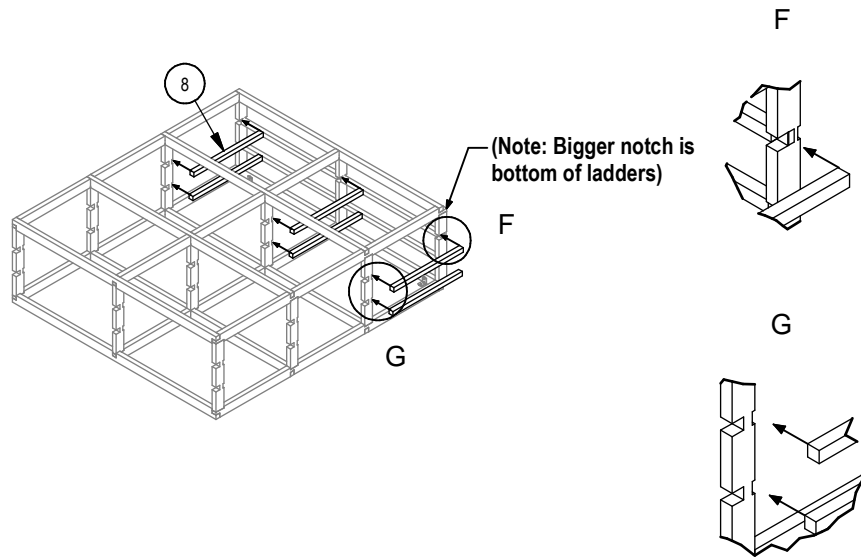
STEP 8

Flush the ends of the bin blocks to the outside of the ladders. Hold the joint tightly in place and apply two nails as shown. Apply nails to the middle joints and the other end of the bin block.



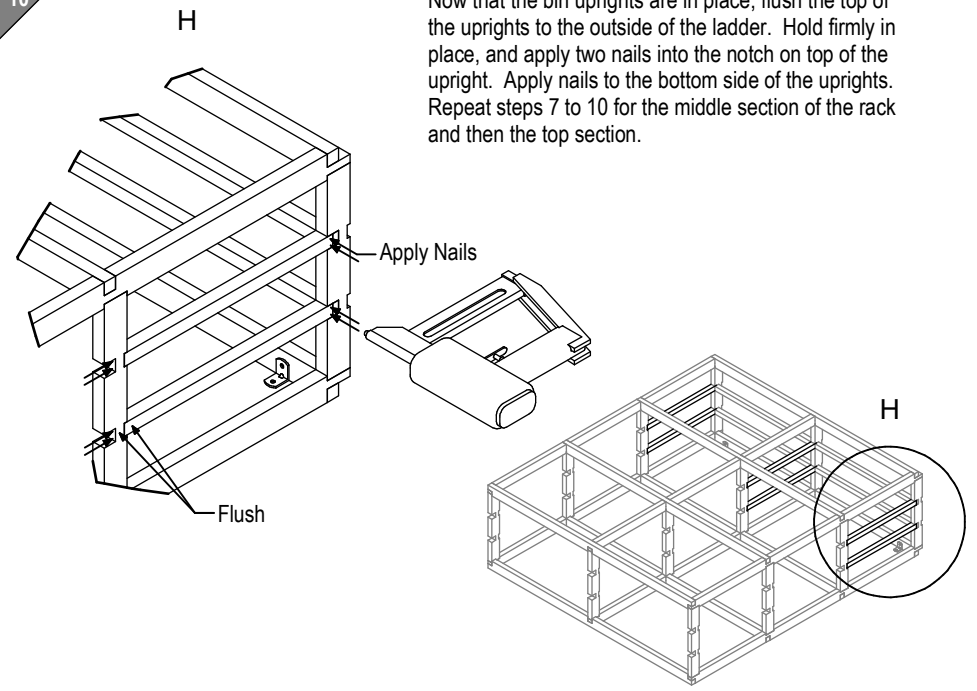
STEP 9

Once the first row bin blocks are done, slide the bin uprights (8) into place, as shown. Again, work with the lower row first.



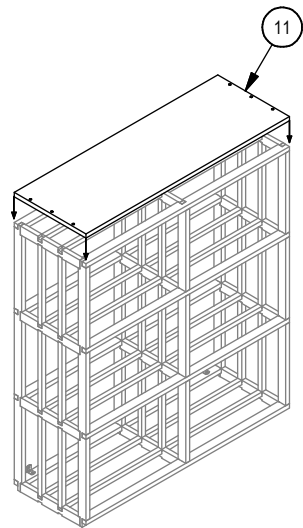
STEP 10

Now that the bin uprights are in place, flush the top of the uprights to the outside of the ladder. Hold firmly in place, and apply two nails into the notch on top of the upright. Apply nails to the bottom side of the uprights. Repeat steps 7 to 10 for the middle section of the rack and then the top section.



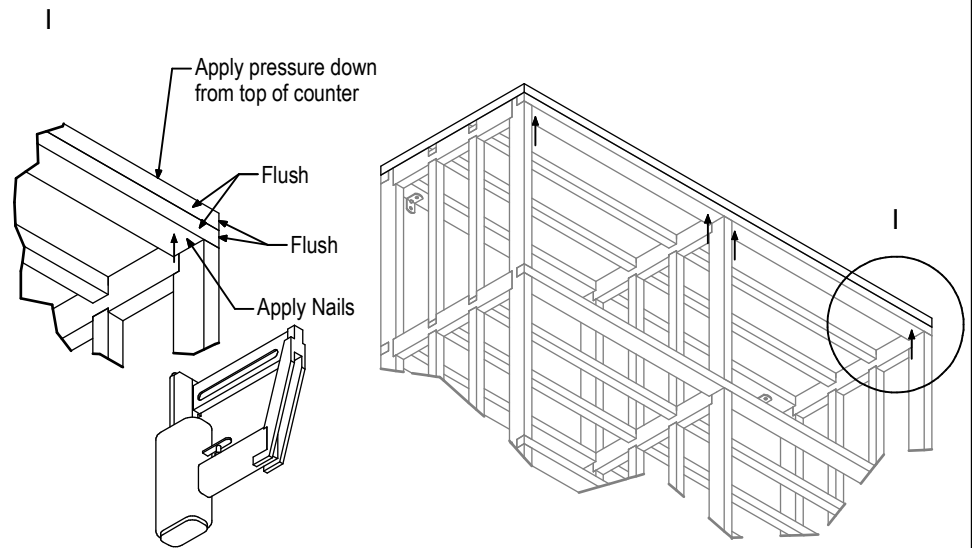
STEP 11

Stand the rack upright. Place the counter top (11) above the lower racks.



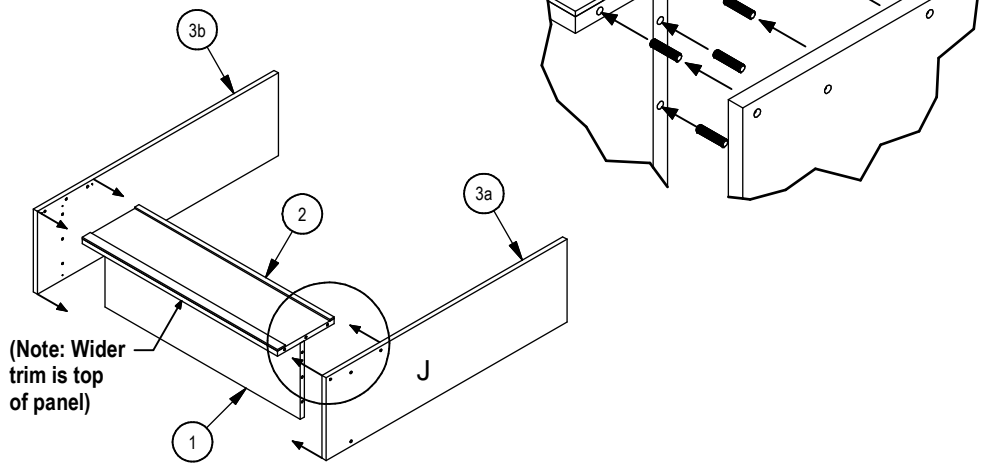
STEP 12

Applying the counter top, position the edges of the counter against the side and front of the racking. Press down on the counter and nail the spacer bar to the counter from the bottom side, starting from one corner and working your way to the opposite side.



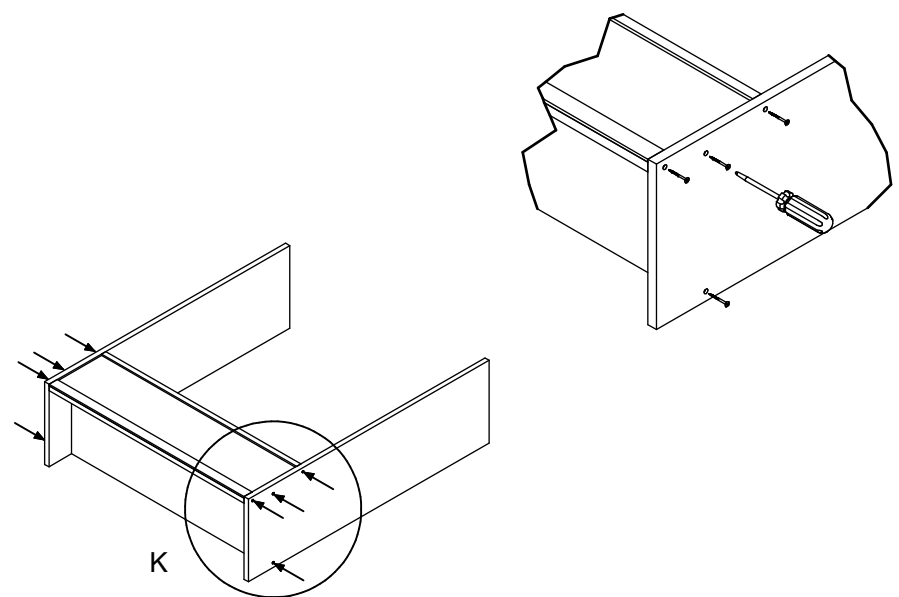
STEP
13

Insert three dowels into the three dowel holes in each side of the top and front panels (1)(2). Slide the right and left side panels (3a)(3b) into place. The dowels should lock the side panels into place.



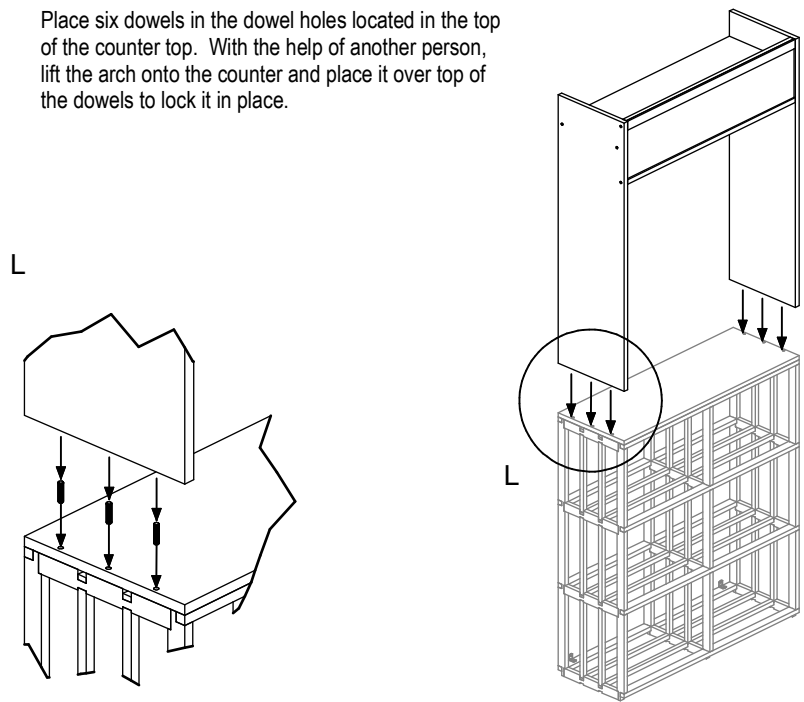
STEP
14

Screw the side panels to the top and front panels with six #8 Robertson flat head screws.



STEP
15

Place six dowels in the dowel holes located in the top of the counter top. With the help of another person, lift the arch onto the counter and place it over top of the dowels to lock it in place.



STEP
16

Place the counter top nosing (12) against the front of the counter top and flush it up against the top and side of the counter. Apply pressure against the counter and apply two nails into each ladder. Slide the bin dividers (13) into position. Optional, finish the display by applying the crown and base mould.

