



GenuwineCellars Reserve

ELITE KIT RACK ASSEMBLY INSTRUCTION

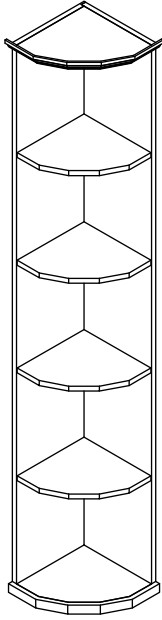
*Elite Kit Rack Corner Shelf Modular Wine
Display*

ELITE KIT RACK ASSEMBLY INSTRUCTION

Thank you for purchasing Elite Kit Rack by Genuine Cellars. The following instructions will help you assemble the 1/4 ROUND CORNER SHELF.

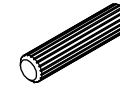
Space permitting, the 1/4 ROUND CORNER SHELF will be sent assembled. If not assembled, please study the instructions carefully prior to starting the assembly.

1/4 ROUND CORNER SHELF

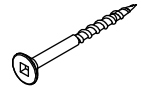


HARDWARE

The following hardware is included in all kits:
(QUANTITY WILL VARY, DEPENDING ON KIT.)



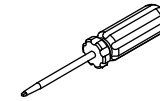
Dowels
(QTY: 36)



#2 Phillips Screws
(QTY: 35)

TOOLS REQUIRED

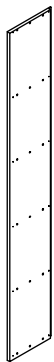
The following tools are required (NOT INCLUDED):



Phillips
Screwdriver #2

COMPONENTS

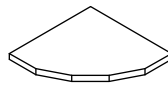
The following components are included in the 1/4 ROUND CORNER SHELF.



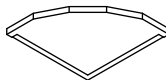
1 - Left Gable
(QTY: 1)



2 - Back Panel
(QTY: 1)



3a - Shelf Top
(QTY: 1)



3c - Shelf Bottom
(QTY: 1)



4 - Crown Mould
(QTY: 1)



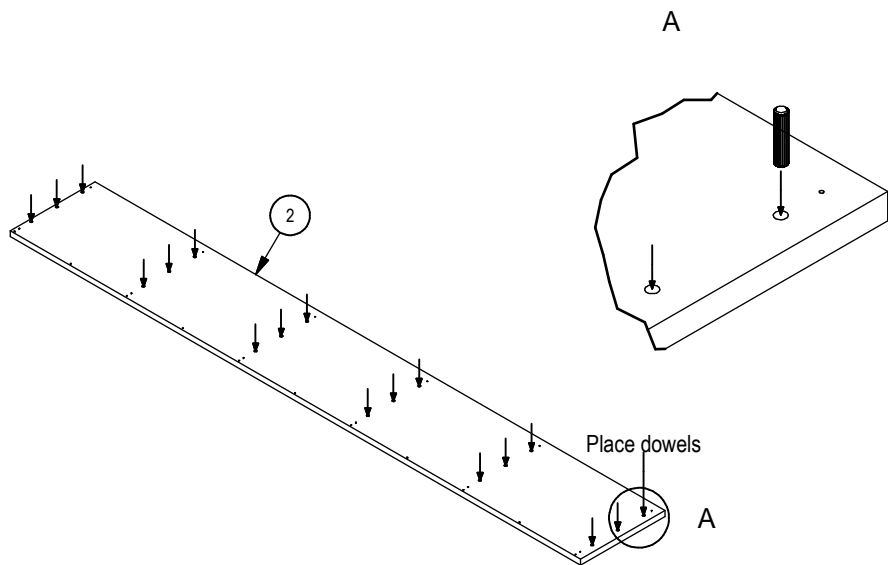
3b - Shelf
(QTY: 4)



5 - Base Mould
(QTY: 1)

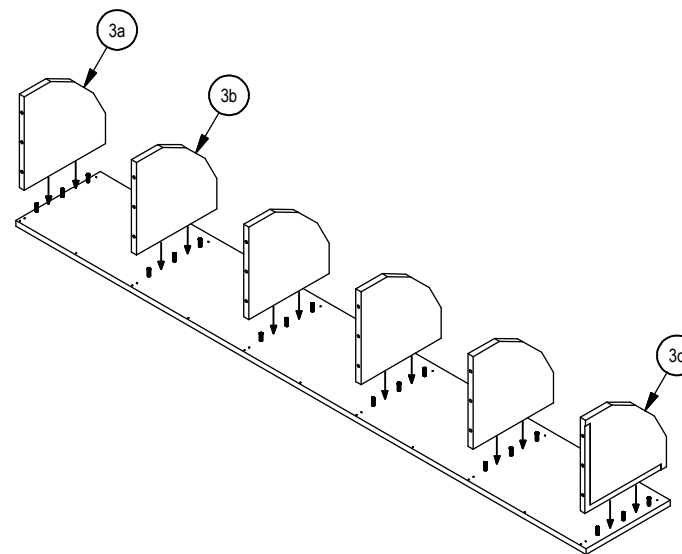
STEP 1

Place the back panel on flat, soft surface, so not to damage the panel. Make sure the side of the panel with dowel holes are facing up. Place three dowels on each row, as shown.



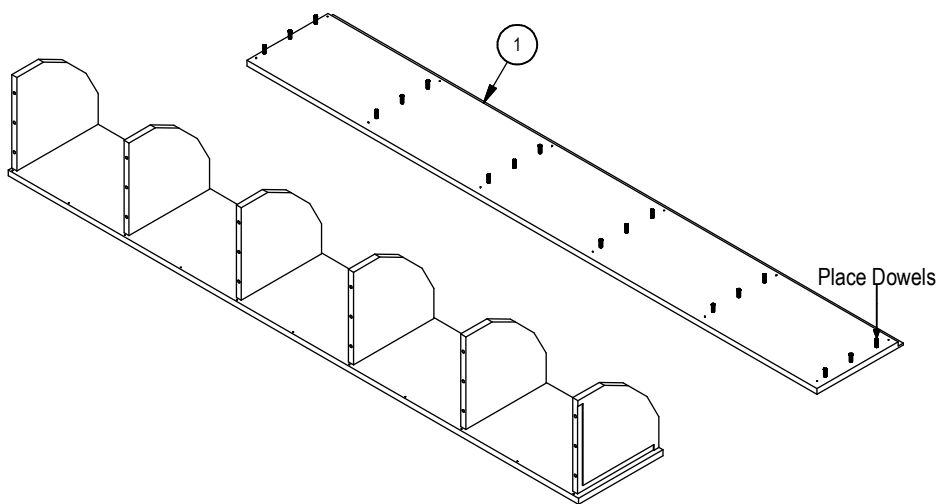
STEP 2

Place shelves according to the dowels. Make sure the shelves are in order. Bottom shelf on the bottom, and top shelf on top.



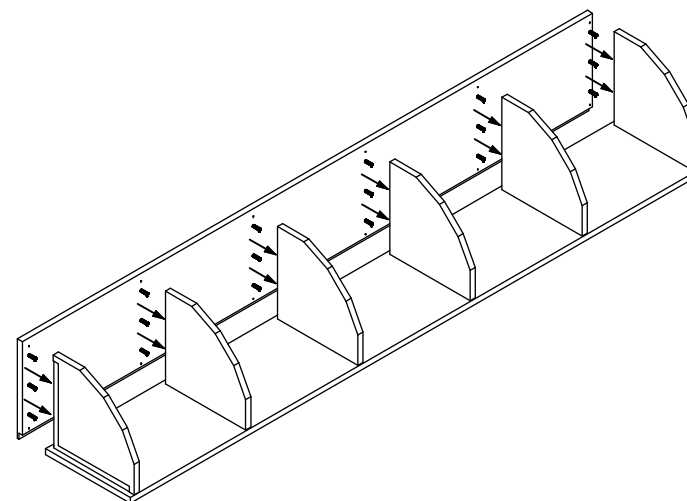
STEP 3

Now for the left gable, place three dowels on each row, as shown.



STEP 4

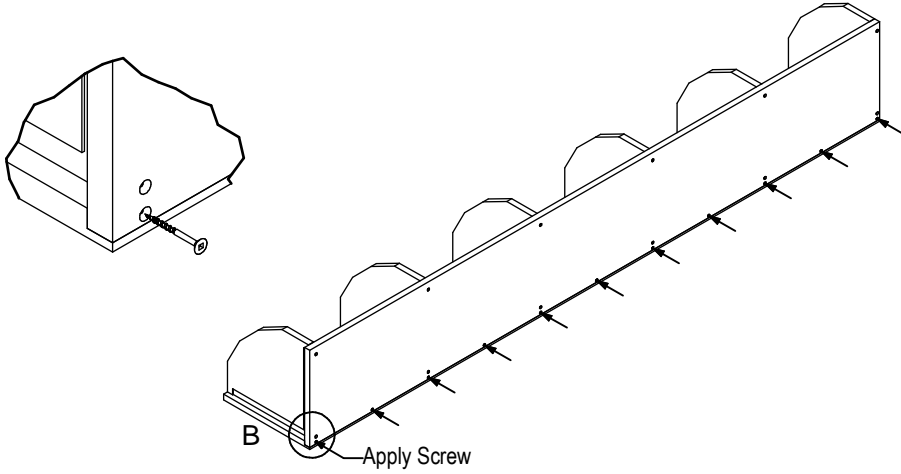
Slide the left gable into place. Make sure the bottoms and tops are aligned.



STEP
5

With the screws provided, first screw the gable and panel together. Holes for screws are pre-drilled along the edge as shown.

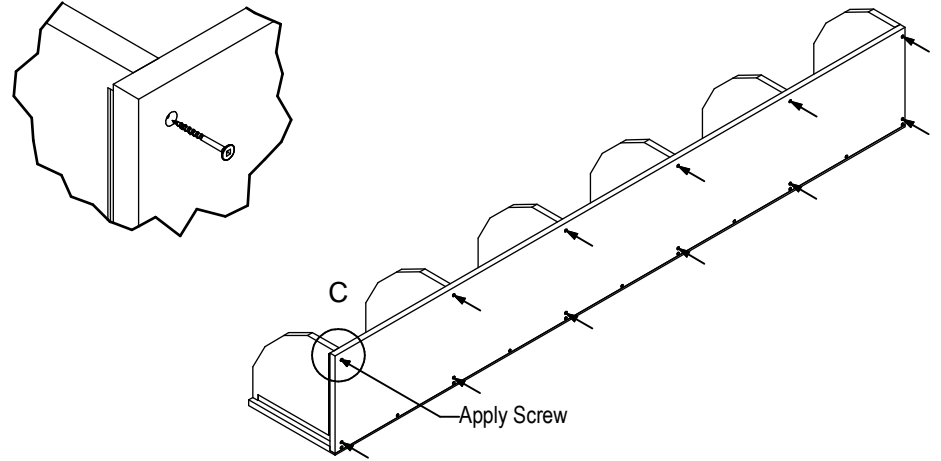
B



STEP
6

Now screw the shelves on. Holes are also pre-drilled for the shelves, as shown below.

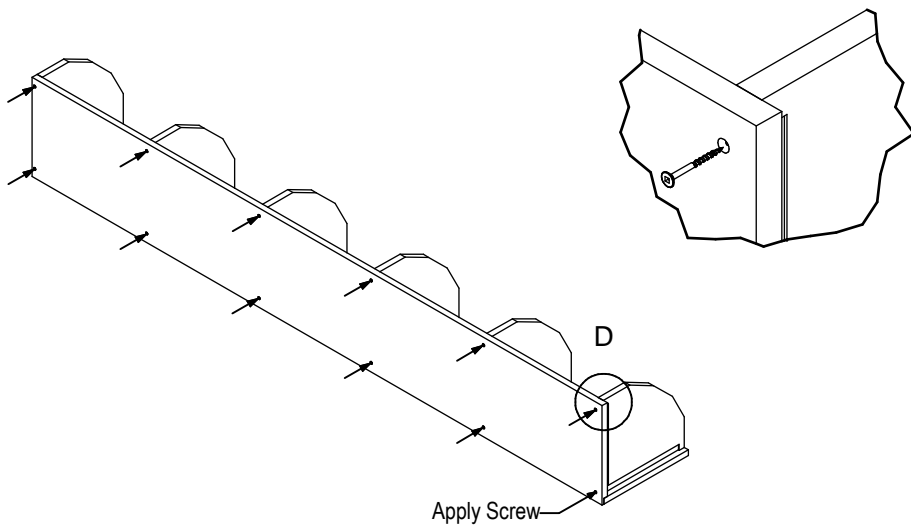
C



STEP
7

Turn the corner shelf over, and screw the shelves on.

D



STEP
8

Finish the corner shelf by applying crown and base mould. Apply to your discretion.

