

**100 mm. CNC Monobloc  
Radial Caliper P4 32/36  
Code XA7G240/41 (nickel coating)  
Code XA7G210/11 (hard anodized)**



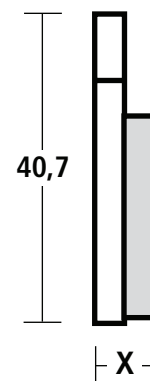
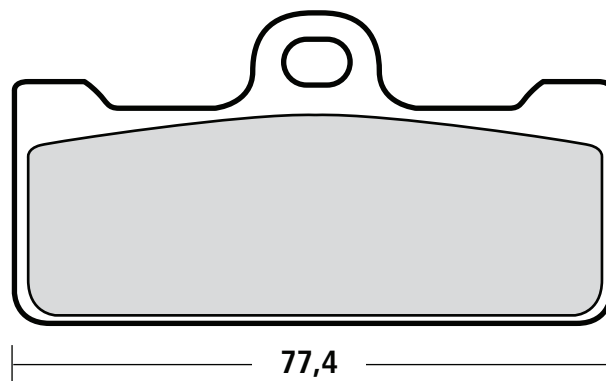
**Spare Parts • Ricambi**

Bleeding screw cover /  
Cappuccio vite spurgo  
**05150220**

Bleeding screw / Vite spurgo  
**05281221**

**Technical Characteristics • Caratteristiche Tecniche**

<i>Pistons / Pistoni Ø</i>	32 / 36 mm.
<i>Construction Material / Materiale</i>	CNC Aluminium / Alluminio CNC
<i>Finishing / Finissaggio</i>	Hard anod. - Nick. coat. / Anod. dura - Nichelata
<i>Weight (with pads) / Massa (con pastiglie)</i>	920 gr.
<i>Brake Fluid / Fluido freni</i>	DOT 4
<i>Hardware / Viteria</i>	Titanium / Titanio
<i>Pistons / Pistoni</i>	Titanium / Titanio
<i>Center to center / Interasse</i>	100 mm.
<i>Offset / Offset</i>	30 mm.



**Pads • Pastiglie**

Code	Performance	Life
<b>107684820</b> Z01 Th = 8,35	•	•
<b>M028Z04</b> Z04 Th = 8	+	•