

Radial CNC Caliper P4 32/36 Code XA3B860/61

1

Spare Parts • Ricambi

Spindle / Perno
20696450

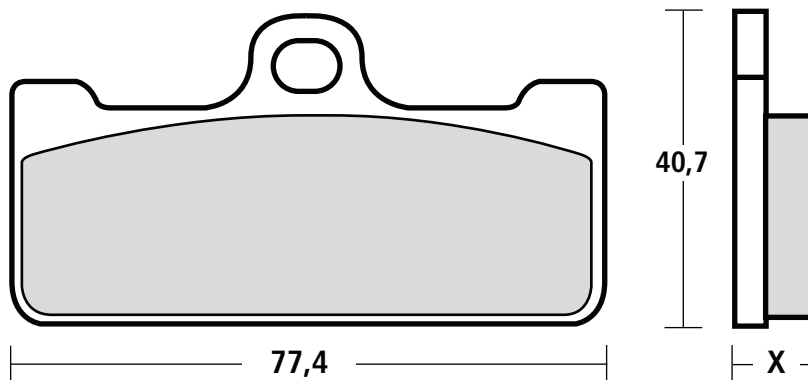
Pin / Coppiglia
05454232

Bleeding screw / Vite spurgo
05281213



Technical Characteristics • Caratteristiche Tecniche

| | |
|---|-------------------------------------|
| Pistons / Pistoni Ø | 32 / 36 mm. |
| Construction Material / Materiale | CNC Aluminium / Alluminio CNC |
| Finishing / Finissaggio | Hard anodizing / Anodizzazione dura |
| Weight (without pads) / Massa (senza pastiglie) | 659 gr. |
| Brake Fluid / Fluido freni | DOT 4 |
| Hardware / Viteria | Steel / Acciaio |
| Pistons / Pistoni | Aluminium / Alluminio |
| Center to center / Interasse | 108 mm. |
| Offset / Offset | 22,5 mm. |



Pads • Pastiglie

| Code | Performance | Life |
|----------------------------|-------------|------|
| 107684830 Z01 Th. = 8,4 | • | • |
| M028Z04 Z04 Th. = 8 | + | • |