

1

Radial CNC Caliper P4 32/36 Code XA3B830/31



Spare Parts • Ricambi

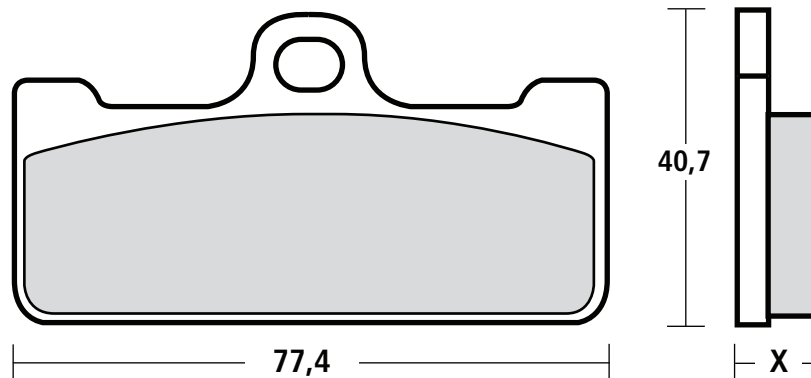
Spindle / Perno
20696410

Pin / Coppiglia
05454221

Bleeding screw / Vite spurgo
05281213

Technical Characteristics • Caratteristiche Tecniche

Pistons / Pistoni Ø	32 / 36 mm.
Construction Material / Materiale	CNC Aluminium / Alluminio CNC
Finishing / Finissaggio	Hard anodizing / Anodizzazione dura
Weight (without pads) / Massa (senza pastiglie)	600 gr.
Brake Fluid / Fluido freni	DOT 4
Hardware / Viteria	Titanium / Titanio
Pistons / Pistoni	Titanium / Titanio
Center to center / Interasse	108 mm.
Offset / Offset	22,5 mm.



Pads • Pastiglie

Code	Performance	Life
107684830 Z01 Th. = 8,4	•	•
M028Z04 Z04 Th. = 8,0	+	•