

Hyper  
Lychee

# Skadu

User Manual

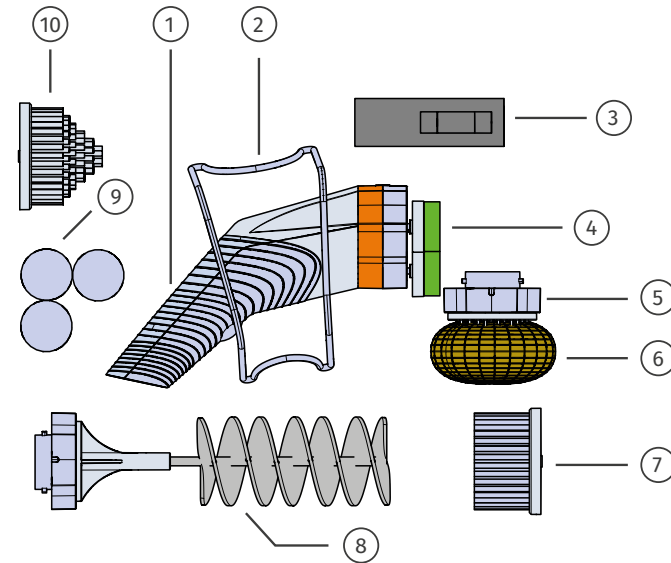


## Table of Contents

1 - What's in the Box?	1
2 - How to Charge?	2
3 - Battery Information	2
4 - Safety Instructions	6
5 - Product Description and Specifications	7
6 - Charging the Battery	8
7 - Operation	8
8 - Attachment Compatibility with Scrubbers and Brush Heads	10
9 - Triple Head Attachment (THA)	12
10 - THA - Attaching the Scrub Pads	12
11 - Single Head Attachment (SHA)	13
12 - SHA - Attaching the Bottle Brush Attachment	15
13 - SHA - Attaching the Corner Brush Attachment	16
14 - SHA - Attaching the Flat Brush Attachment	17
15 - Maintenance and Service	18

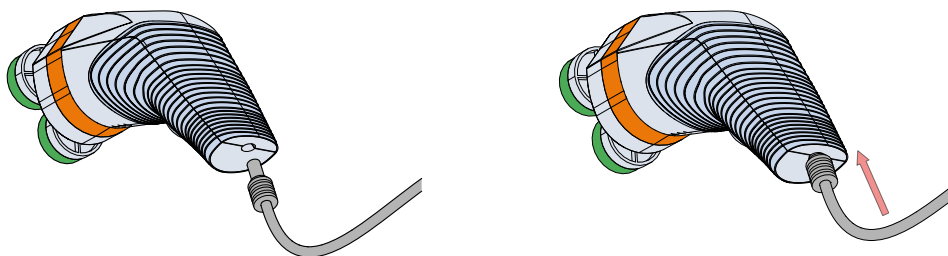
Things to know before you start your Skadu

## What's in the Box?



1 - Skadu	x 01
2 - Stand	x 01
3 - Charging Cable	x 01
4 - Triple Head Attachment	x 01
5 - Single Head Attachment	x 01
6 - Copper Scrub	x 01
7 - Flat Brush	x 01
8 - Bottle Brush	x 01
9 - Scrub Pads	
a - Tough Scrubbing Pads	x 30
b - Scratch-Free Scrubbing Pads	x 30
10 - Corner Brush	x 01

## How to Charge?



## Battery Information

### 1. Chemical product and company identification

Commissioned by Commissioner address	Huizhou Wanhong Energy Technology Co., LTD Building 1, Dahong Science Park, Hongtian Village, Xinwei Town, Huiyang District, Huizhou City
Manufacturer Manufacturer address	Huizhou Wanhong Energy Technology Co., LTD Building 1, Dahong Science Park, Hongtian Village, Xinwei Town, Huiyang District, Huizhou City
Name of samples Type/Model	Lithium Ion Battery 18650
Rated Capacity	2000mAh
Nominal Voltage	3.7V
Rated Energy	5.55Wh
Inspection according to	EEC Directive 93/112/EC
Emergency telephone call	Miss.Xiao 18123682651

### 2. Composition information

Material or ingredient	CAS No.	Wt %
Lithium cobalt oxide	12190-79-3	40-45
Graphite	7782-42-5	20-23
Carbom nanotubes	1333-86-4	45
Methyl ethyl carbonate	623-53-0	2-3
Phosphate(1-), hexaf luoro <sup>-</sup> , lithium	21324-40-3	2-3
Copper	7440-50-8	6-8
Aluminium	7429-90-5	3-5
Nickel	7440-02-0	2-3
Poly(vinylidene flouride)	24937-79-9	2-3

### 3. Disposal consideration

Do not incinerate or subject Skadu to temperatures excess of 70°C. Such abuse can result in seal leakage and/or cell explosion. Dispose of the product in accordance with appropriate local regulations.

### 4. Hazards identification

Explosive risk	This article does not belong to the explosion dangerous goods category.
Flammable risk	This article does not belong to the flammable material category.
Oxidation risk	This article does not belong to the oxidation of dangerous goods category.
Toxic risk	This article does not belong to the toxic dangerous goods category.
Radioactive risk	This article does not belong to the radiation of dangerous goods category.
Mordant risk	This article does not belong to the corrosion of dangerous goods category.
Other risk	This article is Lithium Ion Battery, Watt hour rate 5.55Wh, which belongs to the Lithium Ion Battery category.

### 5. First aid measures

Eye:	Flush eyes with plenty of water for at least 15 minutes, occasionally lifting the upper and lower eyelids. Get medical aid.
Skin:	Remove contaminated clothes and rinse skin with plenty of water or shower for 15 minutes. Get medical aid.
Inhalation:	Remove from exposure and move to fresh air immediately. Use oxygen if available.
Ingestion:	Give at least 2 glasses of milk or water. Induce vomiting unless patient is unconscious. Call a physician.

### 6. Fire-fighting measures

Flash Point:	N/A.
Auto-Ignition Temperature:	N/A.
Extinguishing Media:	Water, CO2.
Special Fire-Fighting Procedures:	Self-contained breathing apparatus.
Unusual Fire & Explosion Hazards:	Cell may vent when subjected to excessive heat-exposing battery contents.
Hazardous Combustion Products:	Carbon monoxide, carbon dioxide, lithium oxide fumes.

### 7. Accidental release measures

Steps to be taken in case Material is Released or Spilled  
If the battery material is released, remove personnel from area until fumes dissipate. Provide maximum ventilation to clear out hazardous gases. Wipe it up with a cloth, and dispose of it in a plastic bag and put into a steel can.  
The preferred response is to leave the area and allow the battery to cool and vapors to dissipate. Provide maximum ventilation. Avoid skin and eye contact or inhalation of vapors. Remove spilled liquid with absorbent and incinerate.  
Waste Disposal Method  
It is recommended to discharge the battery to the end, to use up the metal lithium inside the battery, and to bury the discharged battery in soil.

### 8. Ecological information

Mammalian effects:	None known at present.
Eco-toxicity:	None known at present.
Bioaccumulation potential:	Slowly Bio-degradable.
Environmental fate:	None known environmental hazards at present.

### 9. Handling and storage

Skadu should not be opened, destroyed or incinerated since it may leak or rupture and release into the environment. The contents of Skadu are in a hermetically sealed container. Do not short circuit terminals, or over charge the battery, forced over-discharge, throw to fire. Do not crush or puncture the battery, or immerse in liquids.

Precautions to be taken in handling and storage:

Store preferably in a cool, dry and ventilated area which is subjected to little temperature change. Storage in areas with high temperature should be avoided. Do not place Skadu near heating equipment, nor expose it to sunlight for long periods.

Other Precautions

Skadu may explode or cause burns if crushed, exposed to fire or high temperatures.

### 10. Exposure controls/personal protection

Respiratory Protection

In case of battery venting, provide as much ventilation as possible. Avoid confined areas with venting cell cores. Respiratory Protection is not necessary under conditions of normal use.

Ventilation

Not necessary under conditions of normal use.

Protective Gloves

Not necessary under conditions of normal use.

Other Protective Clothing or Equipment

Not necessary under conditions of normal use.

Personal Protection is recommended for venting battery

Respiratory Protection, Protective Gloves, Protective Clothing and safety glass with side shields.

### 11. Physical and chemical properties

Appearance:	Cylindrical.
Odour:	Under normal circumstances, is odorless; if leaking, smells of medical ether.
pH:	Not applicable as supplied.
Flash Point:	Not applicable unless individual components exposed.
Flammability:	Not applicable unless individual components exposed.
Relative density:	Not applicable unless individual components exposed.
Solubility (water):	Not applicable unless individual components exposed.
Solubility (other):	Not applicable unless individual components exposed.

### 12. Stability and reactivity

Stability:	Product is stable under conditions described in Section 7.
Conditions to Avoid :	Heat above 70°C or incinerate. Deform. Mutilate. Crush. Disassemble. Overcharge. Short circuit. Expose over a long period to humid conditions.
Materials to avoid:	Oxidising agents, alkalis, water.
Hazardous Decomposition Products :	Toxic Fumes, and may form peroxides.
Hazardous Polymerization :	N/A.
If leaked, forbidden to contact with strong oxidizers, mineral acids, strong alkalies, halogenated hydrocarbons.	

### 13. Toxicological information

Signs & symptoms:	None, unless battery ruptures. In the event of exposure to internal contents, vapour fumes may be very irritating to the eyes and skin.
Inhalation:	Lung irritant.
Skin contact:	Skin irritant.
Eye contact:	Eye irritant.
Ingestion:	Poisoning if swallowed.
Medical conditions generally aggravated by exposure:	In the event of exposure to internal contents, moderate to server irritation, burning and dryness of the skin may occur. Target organs nerves, liver and kidneys.

### 14. Transport information

Scope of application:	This report applies to by sea, by air and by land.
Label for conveyance:	Lithium Battery Mark, Class 9 hazard label, Cargo Aircraft Only Label .
UN Number:	UN3480 or UN3481.
Marine pollutant:	No.
Proper Shipping name:	Lithium Ion Batteries (or); Lithium Ion Batteries Contained in Equipment (or); Lithium Ion Batteries Packed with Equipment.
Hazard Classification:	The goods shall be complied with the requirements of Section IA\IB\II of Packing Instructions 965 and Section III of Packing Instructions 966\967 of 61st DGR Manual of IATA(2020 edition) or special provision 188 of IMDG CODE(Amdt. 39-18)2018 Edition, including the passing of the UN38.3 test.

### 15. Regulation information

(Dangerous Goods Regulations)  
(Recommendations on the Transport of Dangerous Goods Model Regulations)  
(International Maritime Dangerous Goods)  
(Technical Instructions for the Safe Transport of Dangerous Goods)  
(Classification and code of dangerous goods)  
(Occupational Safety and Health Act) (OSHA)  
(Toxic Substance Control Act) (TSCA)  
(Consumer Product Safety Act) (CPSA)  
(Federal Environmental Pollution Control Act) (FEPCA)  
(Resource Conservation and Recovery Act) (RCRA)  
(California Proposition 65)  
(Code of Federal Regulations) (CFR)  
In accordance with all Federal, State and local laws.

### 16. Other information

This report is valid only for products that meet the following criteria:

Commissioner: Huizhou Wanhong Energy Technology Co. Ltd.

Manufacturer: Huizhou Wanhong Energy Technology Co. Ltd.

Sample type&Mode: Lithium Ion Battery 18650.

The commissioner provides the composition information of batteries, and promises its integrity and accuracy. Users should read this file carefully, and use the batteries in correct method. Shenzhen Tiansu Calibration and Testing Co. Ltd. doesn't assume responsibility for any damage or loss because of misuse of batteries.

## Safety Instructions

### General Safety Warnings

Read all safety warnings, instructions, illustrations and specifications provided with this tool kit. Failure to follow all instructions listed below may result in electric shock, fire and/or serious injury.

Save all warnings and instructions for future reference.

The term "Skadu" in the warnings refers to your battery-operated (cord-less) electric power scrubber.

### Work area safety

- Keep the work area well lit. Dark areas invite accidents.
- Do not operate Skadu in explosive atmospheres, such as in the presence of flammable liquids or gases.
- Do not use Skadu submerged in liquids for long durations of time, Skadu has an IPX7 rating as a precautionary measure and not as a function.

### Electrical safety

- Plugs used with the Skadu charging cable must match the outlet. Never modify the plug in any way. Do not use any adapter plugs with earthed (grounded) Skadus. Unmodified plugs and matching outlets will reduce risk of electric shock.
- Do not abuse the cord. Never use the cord for carrying, pulling or unplugging the Skadu. Keep cord away from heat, oil, sharp edges or moving parts. Damaged or entangled cords increase the risk of electric shock.
- While charging, do not use the product or place it near water.

### Personal safety

- Stay alert, watch what you are doing and use common sense when operating a Skadu. Do not use a Skadu while you are tired or under the influence of drugs, alcohol or medication. A moment of inattention while operating Skadus may result in personal injury.
- Prevent unintentional starting. Ensure the switch is in the off-position before connecting to the power source, picking up or carrying the tool.
- Keep your fingers clear of the scrubbing heads before switching it on to avoid any injury.
- Do not wear loose clothing or jewelry. Keep your hair and clothing away from moving parts. Loose

clothes, jewelry and long hair can be caught in moving parts.

- Do not let familiarity gained from frequent use of tools allow you to become complacent and ignore tool safety principles. A careless action can cause injury within a fraction of a second.

### Skadu use and care

- Do not press Skadu to the surface to a point where it keeps stalling. Skadu is powerful, and if you bring it to a halt its safety mechanism will stop it for 5 seconds.
- If Skadu stalls even when you press mildly then it is an indicator that the battery is not charged enough.
- Always use the correct Skadu attachment for your application (see attachment specifications). The correct Skadu attachment will do the job better at the rate for which it was designed. Misuse of Skadu attachments might result in damage of the tool or personal injury.
- Do not use Skadu if the switch does not turn it on and off. Any Skadu that cannot be controlled with the switch is dangerous and must be repaired.
- Disconnect Skadu from the power source before making any adjustments, changing accessories or storing Skadu. Such preventive safety measures reduce the risk of fire and the unintentional starting of the unit.
- Store idle Skadus out of the reach of children and do not allow persons unfamiliar with the Skadu or these instructions to operate the Skadu.
- Maintain your Skadu and accessories. Check for misalignment or binding of moving parts, breakage of parts and any other condition that may affect the Skadu's operation. If damaged, have the Skadu repaired by authorized Hyper Lychee personnel before use.
- Keep the attachments fresh and clean. Properly maintained tools are less likely to bind and are more effective for use.
- Use the Skadu, accessories and attachments, etc. in accordance with these instructions, taking into account the working conditions and the work to be performed. Use of the Skadu for operations different from those intended could result in a hazardous situation.
- Keep handles and grasping surfaces dry, clean and free from oil and grease. Slippery handles and grasping surfaces do not allow safe handling and control of the Skadu in unexpected situations.
- Do not expose the Skadu to fire or excessive

temperature. Exposure to fire or temperature above 130°C may cause an explosion.

Skadu should not be used by people who are unable to maintain a firm grip on the handle, or are mentally or physically challenged.

### Battery tool use and care

- Recharge only with the charging cable provided by the manufacturer or cables with the same exact specifications.
- When the charger is in use, keep it away from other metal objects, like paper clips, coins, keys, nails, screws or other small metal objects, that can make a connection from one terminal to another.
- Do not poke any metal objects inside the charging pin on either side.
- Follow all charging instructions and do not charge the tool outside the temperature range specified in the instructions. Charging improperly or at temperatures outside the specified range may damage the battery and increase the risk of fire.

### Service

- Have your Skadu serviced by a Hyper Lychee qualified repair person using only authorized replacement parts. This will ensure that the safety of the Skadu is maintained.
- Never service damaged charging cables. Service of charging cables should only be performed by the manufacturer or authorized service providers.

### Safety Warnings for Skadu

- Switch the Skadu on before making contact with the surface to be scrubbed or cleaned and only switch the Skadu off after you have removed it from the surface. The Skadu can move suddenly.
- Always wait until the Skadu has come to a complete stop before placing it down. The application tool can cause you to lose control of the Skadu.
- Maintain a firm grip on the Skadu and position your body and arm to allow you to resist kickback forces. The operator can control torque reactions or kickback forces, if proper precautions are taken.
- Use special care when working corners, sharp edges etc. Avoid bouncing and snagging the accessory. Corners, sharp edges or bouncing have a tendency to snag the rotating accessory and cause loss of control or kickback.
- In case of damage and improper use of the

battery, vapors may be emitted. The battery can set alight or explode. Ensure the area is well ventilated and seek medical attention should you experience any adverse effects. The vapors may irritate the respiratory system.

- Do not open the Skadu. There is a risk of short-circuiting.
- The battery can be damaged by pointed objects such as nails or screwdrivers or by force applied externally. An internal short circuit may occur, causing the battery to burn, smoke, explode or overheat.

Protect the Skadu against heat, e.g. against continuous intense sunlight, fire, dirt and water. There is a risk of explosion and short-circuiting. Read all the safety and general instructions. Failure to observe the safety and general instructions may result in electric shock, fire and/or serious injury.

## Product Description and Specifications

Please observe the illustrations at the beginning of this operating manual.

### Intended use

Skadu is intended for scrubbing multiple surfaces and appliances with respect to the type of attachment brushes and scrub pads provided.

### Product features

- 1) Integrated Battery System
- 2) Lightweight Body
- 3) Waterproof
- 4) Battery Charge Indicator
- 5) On/off switch
- 6) Multi-functional attachment
- 7) Multi-functional brush-heads
- 8) Ultra high torque motor
- 9) Stand
- 10) Easy availability of consumables & brushes
- 11) Battery run time up to 90 minutes

### Noise/vibration information

Noise emission values determined according to EN 62841-2-4.

Typically the A-weighted sound pressure level of the product is less than 70 dB(A). The noise level when working can exceed the declared values.

## Charging the Battery

- Use only the charging cable listed in the technical data or another one with the exact same specifications.

Note: The battery is supplied as partially charged. To ensure full battery capacity, fully charge the battery in the charger before using your Skadu for the first time. The lithium-ion battery can be charged at any time without reducing its service life. Interrupting the charging process does not damage the battery. The battery is protected against deep discharge by the "Electronic Cell Protection (ECP)". When the battery is discharged, the Skadu is switched off by means of a protective circuit. The application tool no longer rotates.

- Do not continue to press the On/Off switch after the Skadu has automatically switched off. The battery can be damaged.

### Battery charge indicator

The battery indicator is an LED light situation behind the power button on the product. Red light indicates charging and Green light indicates charged.

Due to the placement of the LED indicator behind the silicone sleeve, the user will have to cover the area from direct light to see the LED indicator.

Full charge is typically 4 to 5 hours.

## Operation

### Switching On/Off

Make sure that you are able to press the On/Off switch without releasing the handle. To switch on the Skadu, press the on/off switch. To switch off the Skadu, press the on/off switch again.

### Working advice

- There is risk of injury from unintentionally pressing the on/off switch.
- Always wait until the Skadu has come to a

complete stop before placing it down.

- The Skadu is not suitable for bench-mounted use. It must not be clamped into a vice.

Do not use Skadu for purposes other than mentioned in the product description, unintentional use can result in injury.

**Tip:** The ergonomically shaped gripping surface allows for dynamic and fatigue-free handling of the Skadu.

### Scrubbing and Cleaning Surfaces

- Switch the Skadu on, place it against the surface. The grime removal rate and scrubbing results are primarily determined by the choice of scrubber and the contact pressure.

- There is no need to move the Skadu in a typical "scrubbing" manner when using it, rather slowly and steadily move it across the surface instead of rapidly going back and forth or in circles on the surface to achieve optimal results.

**Tip:** Skadu has 3 rotating scrubbers. The bottom scrubber rotates in the opposite direction. Try moving all 3 scrubbers over stubborn grime to achieve efficient and fast results.

- Only scrub in regular condition to achieve good performance and make the Skadu last longer.
- Be sure to apply consistent contact pressure in order to increase the service life of the scrubbing pads and attachments.
- Excessively increasing the contact pressure will not lead to increased scrubbing performance; rather, it will cause more severe wear of the Skadu and of the scrubbing pad. Use only original Skadu accessories.

**Tip:** As you apply more pressure on a surface while using Skadu, you will notice that the speed decreases but the torque increases. This can be beneficial in certain situations, but avoid applying very high pressure. It will bring Skadu to a halt.

### Using the attachments for cleaning surfaces

#### Triple Head Attachment (THA)

- Use the THA in accordance with the instructions mentioned in the diagrams below.
- Follow the given instructions carefully to maintain the quality of the attachment and scrubs and avoid damaging the Skadu or the THA.
- If the velcro on the triple head scrubbers wears off over time, don't discard the attachment. Buy a

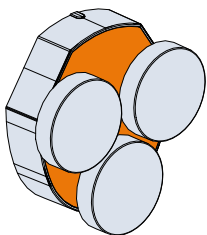
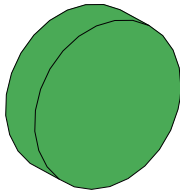
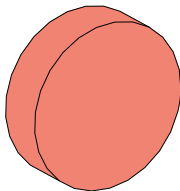
small strip of velcro cut the appropriate size and use fast glue to stick it.

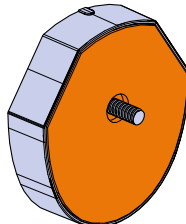
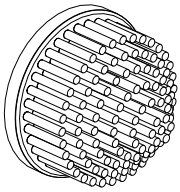
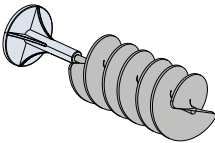
#### Single Head Attachment (SHA)

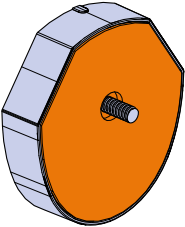
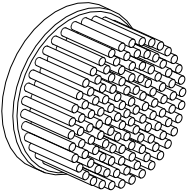
- Use attachments only intended for the SHA to avoid damaging the Skadu and the attachment.
- Follow the instructions given below carefully to operate the attachment in a successful and efficient manner.
- Failure to follow the instructions could result in damage to the Skadu.

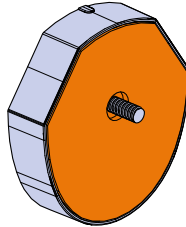
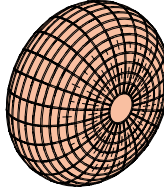
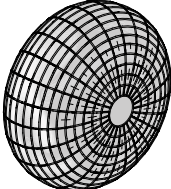


## Attachment Compatibility With Scrubbers and Brush Heads

Type of Attachment	Types of Scrubbers and Brush Heads	Use Case
<b>Triple Head Attachment (THA) x 1</b> 	<b>Tough Scrubbing Pads</b> 	<ul style="list-style-type: none"> <li>The attachable Tough Scrub Pads can be used to scrub a number of kitchen surfaces and utensils.</li> <li>Effective for scrubbing dishes, stainless steel utensils and kitchen sink, iron skillets, pots and pans, and more.</li> <li>Ideal for heavy duty cleaning of flat surfaces or surfaces that are curved up to 2 degrees.</li> <li>Removes stubborn grime and dirt off surfaces.</li> <li>Can be used to scrub shower stalls, bath tubs, bathroom sink, garage equipment, grills, oven racks, and other household appliances as well.</li> <li>The tough scrub pads can also be used to scrub tough dirt and grime off concrete, and can remove grime from tools.</li> <li>Can be used to scrub dirt and grime off the floor and patio furniture.</li> <li>Used to clean and gardening equipment.</li> <li>Works best for non-coated cooking appliances.</li> </ul> <p>Tough scrubbing pads are abrasive and can cause scratches to the surface. Only use on surfaces that can withstand the pressure and/or can work with scratches. Avoid delicate scratch-prone surfaces such as glassware, coated cookware, stainless steel appliances and soft composite surfaces.</p>
	<b>Scratch-Free Scrubbing Pads</b> 	<ul style="list-style-type: none"> <li>Scratch-free scrubbing pads scrub the inside of multiple appliances around the house and kitchen without any scratches.</li> <li>Effective for scrubbing dishes, glass utensils and various surfaces.</li> <li>Can be used to scrub mirrors, glass doors, windows.</li> <li>Can be used for scrubbing and cleaning the insides of refrigerators, microwaves.</li> <li>Used on coated cooking equipment, non-stick cookware, and delicate tableware.</li> <li>Can be used to scrub hard water scaling from bathroom fittings.</li> <li>Effective for scrubbing everyday dishes and appliances around the house.</li> <li>Can scrub fabric to remove dirt and grime</li> <li>Scrub cleans cupboards effectively without damaging the surface.</li> </ul>

Type of Attachment	Types of Scrubbers and Brush Heads	Use Case
		<p>Test a patch of a surface that you are cleaning before you start scrubbing. Avoid scrubbing on surfaces that affect the surface area negatively.</p>
<b>Single Head Attachment (SHA) x 2</b> 	<b>Corner Brush</b> 	<ul style="list-style-type: none"> <li>The corner bristle brush is effective for scrubbing hard-to-reach spots around the corners of appliances and furniture.</li> <li>Can be used for scrubbing surfaces with nooks, crevices and ridges around the house.</li> <li>Scrubs the uneven surfaces thoroughly around the bathroom sink, bathtub, shower drain, toilet, and kitchen sink.</li> <li>Effective for scrubbing shelves, edges and corners of furniture.</li> <li>The bristles work well when scrubbing grills, BBQ equipment, and pots and pans that have uneven surfaces such as wok, saucepans, and trays.</li> </ul> <p>Tough scrubbing bristles are abrasive and can cause scratches to the surface. Only use on surfaces that can withstand the pressure and/or can work with scratches. Avoid delicate scratch-prone surfaces such as glassware. Test on a small patch of the surface if you are scrubbing fabric before use on a larger area to see if the fabric can withstand the force of the brush.</p>
	<b>Bottle Brush with Sponge Head</b> 	<ul style="list-style-type: none"> <li>Durable bottle brush bristles to ease the effort of scrubbing bottles clean effectively.</li> <li>Can be used for scrubbing bottles up to 25 cm, drinking glasses, jars and stemware.</li> <li>Can be used to scrub baby feeding bottles and spoons.</li> <li>Can be used to scrub uncoated cookware, delicate dishes, and glassware.</li> </ul> <p>Avoid using bottle brushes on surfaces that are not mentioned in the use case. The durable brush bristles might get damaged with repeated contact with other surfaces, and it will reduce its longevity. Keep brush safely in order to avoid damage to the bristles. Glass bottles can sometimes be quite prone to scratches, so test the bottle brush on a small patch on a glass surface before use to check if the bristles are causing any scratches.</p>

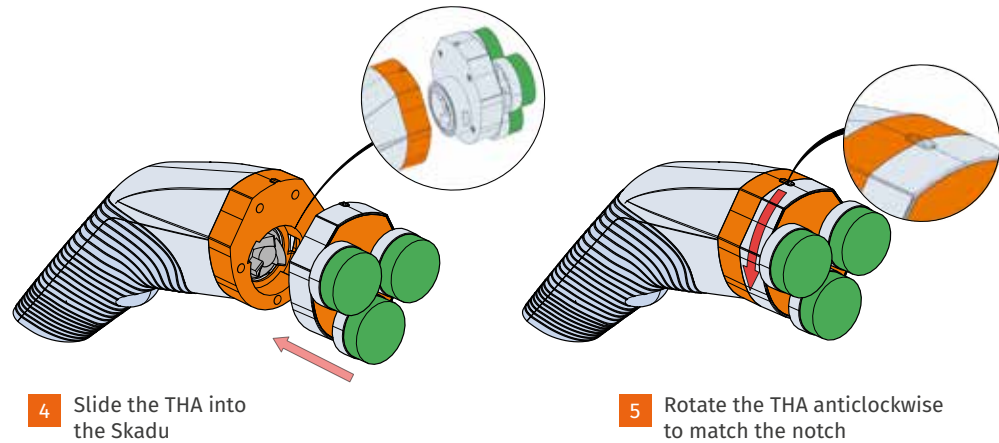
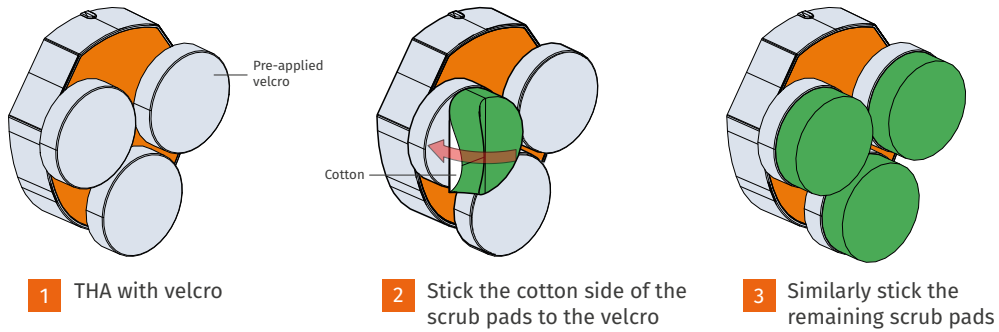
Type of Attachment	Types of Scrubbers and Brush Heads	Use Case
<p data-bbox="91 724 297 775"><b>Single Head Attachment (SHA) x 2</b></p> 	<p data-bbox="356 759 461 783"><b>Flat Brush</b></p> 	<ul data-bbox="600 197 1048 999" style="list-style-type: none"> <li>• Flat Brushes scrub uneven surfaces and surfaces and objects with ridges effectively.</li> <li>• Can be used to scrub textured tiles, walls and other surfaces.</li> <li>• Can be used to scrub uneven furniture surfaces.</li> <li>• Removes built up dirt and grime from bumpy surfaces that have protruding areas such as tools with screws jutting out, door handles, gas stove ridges, hooks and other similar regions.</li> <li>• Can be used to scrub pots and pans that need heavy duty brush scrubbing.</li> <li>• Scrubs and cleans hard-to-reach areas such as stands or holders on objects and appliances like the fridge, tables and chairs, and other furniture.</li> <li>• Can scrub clean sheds and roof tiles evenly.</li> <li>• Removes built up dirt and debris from vents and netted coverings.</li> <li>• Bristles can remove built up dirt and grime from tough carpets made out of fabric like jute and rugs.</li> <li>• Can be used to remove dirt and grime from outer soles of shoes.</li> <li>• Use it to scrub door hinges and handles effectively.</li> <li>• Can scrub outdoor and camping equipment and gear such as tents, rods, sleeping bags and more.</li> <li>• Can scrub objects around the house such as curtain rods and holders, bed frames and more.</li> <li>• Bristle brushes offer an effective and alternative method of scrubbing bathroom sinks, bathtubs, shower drains, and bathroom cabinets.</li> </ul> <p data-bbox="600 1034 1048 1278">Tough scrubbing bristles are abrasive and can cause scratches to the surface. Only use on surfaces that can withstand the pressure and/or can work with scratches. Should be ideal for use on hard surfaces that are not likely to get scratched. Avoid delicate scratch-prone surfaces such as glassware. Test on a small patch of the surface if you are scrubbing fabric, wall or furniture before use on a larger area to see if they can withstand the force of the brush.</p>

Type of Attachment	Types of Scrubbers and Brush Heads	Use Case
<p data-bbox="1211 724 1417 775"><b>Single Head Attachment (SHA) x 2</b></p> 	<p data-bbox="1489 432 1659 456"><b>Copper Scrubber</b></p>  <p data-bbox="1489 1054 1641 1106"><b>Stainless Steel Scrubber</b></p> 	<ul data-bbox="1720 197 2168 608" style="list-style-type: none"> <li>• Ideal for scrubbing that requires heavy duty application.</li> <li>• Removes built-up layers and coats of grime easily.</li> <li>• Can be used to scrub various kitchen appliances and utensils such as skillets, iron pots and pans, ceramic cooktops, grills, grilling equipment, stainless steel sinks and copper utensils.</li> <li>• Can be used to scrub ovens and baking equipment such as moulds, baking dishes, trays, etc.</li> <li>• Can also be used to scrub door window grills, garage doors, or objects made out of anodized aluminum.</li> <li>• Ideal for scrubbing stove burners, broiler pans and equipment and oven racks that will not get scratches easily.</li> </ul> <p data-bbox="1720 643 2168 858">Copper scrubbers are abrasive and can cause scratches to the surface. Use it on surfaces that can withstand the force and pressure of the copper scrubbers and can work with scratches. Ideal for hard surfaces and appliances with stains that are difficult to remove. Test on a small surface before you start scrubbing the entire surface area.</p> <ul data-bbox="1720 898 2168 1254" style="list-style-type: none"> <li>• Scrubs stubborn stains and removes oil from surfaces easily.</li> <li>• Can be used to scrub machinery that has a tendency to collect grease.</li> <li>• Stainless steel scrubbers have anti-rust properties that make them durable.</li> <li>• Used to scrub stainless steel utensils in hotels and restaurants to clean large pots and pans, stoves, and other stainless steel appliances such as the coffee maker, electric kettle and more.</li> <li>• When combined with the right cleaning liquid or detergent, it can remove oil effectively from metal and marble surfaces.</li> </ul> <p data-bbox="1720 1289 2168 1449">Stainless steel scrubbers are abrasive and can cause scratches to the surface. Use it on surfaces that can withstand the force and pressure of the stainless steel scrubber and can work with scratches. Ideal for hard surfaces and appliances with built up dirt and grime that is difficult to remove.</p>

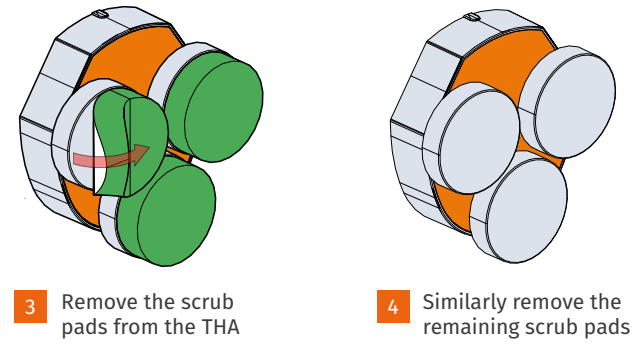
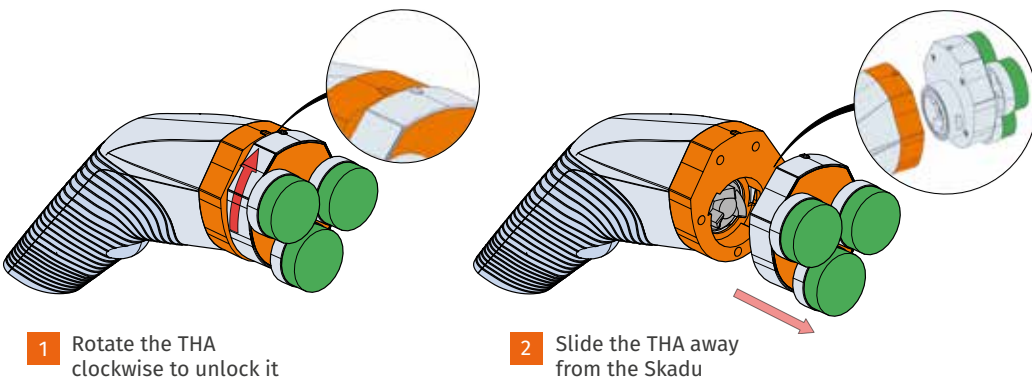


## Triple Head Attachment (THA)

### THA - Attaching Scrub Pads

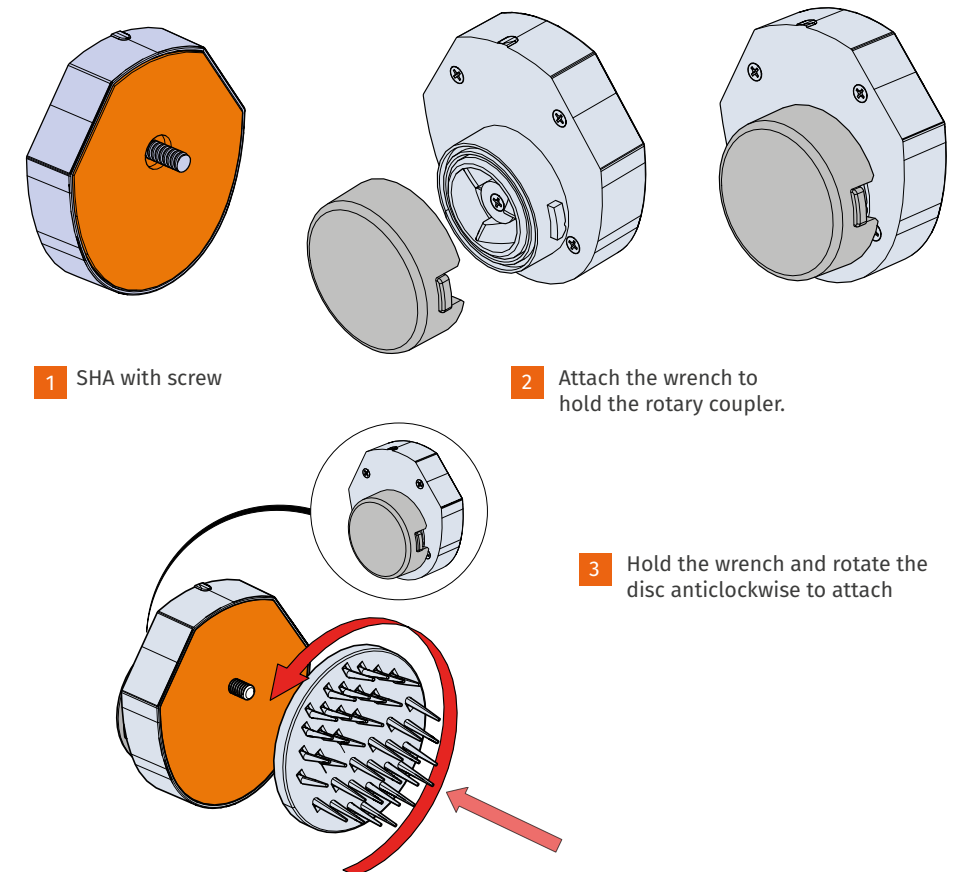


### THA - Removing Scrub Pads

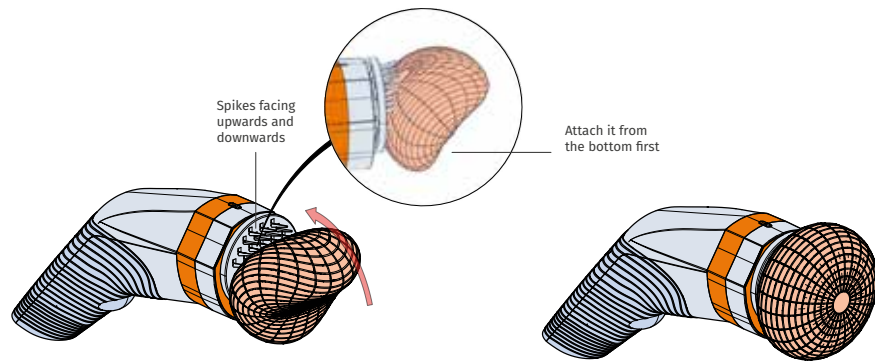


## Single Head Attachment (SHA)

### SHA - Attaching Metal Scrubber Disc



## SHA - Attaching copper or stainless steel scrubber to metal scrubber disc.

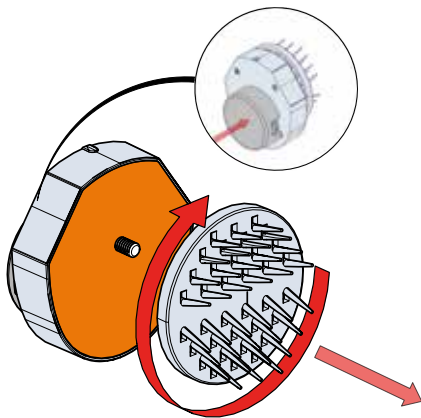


Spikes facing upwards and downwards

Attach it from the bottom first

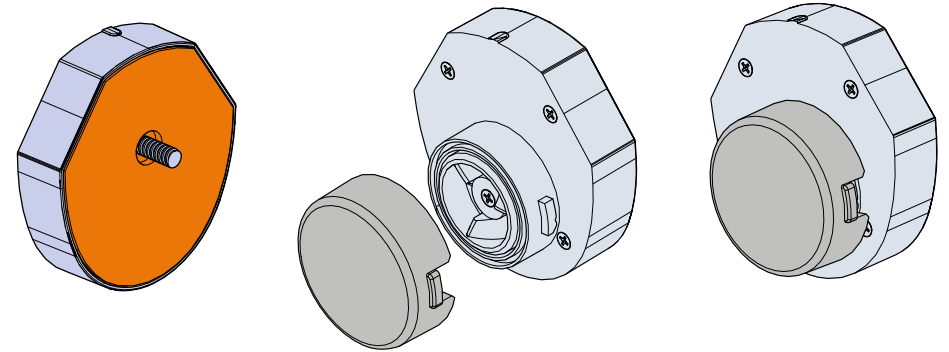
- 1 Attach the scrubber downward facing spikes first, then pull it up slightly and attach the upward facing spikes.

## SHA - Removing the SHA metal scrubber



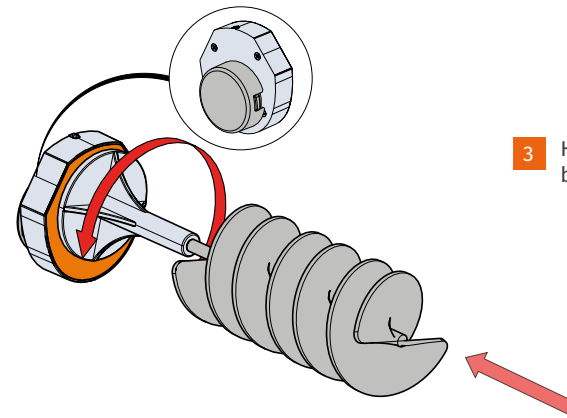
- 1 Hold the wrench and rotate the disc clockwise to deattach

## SHA - Attaching the Bottle Brush Attachment



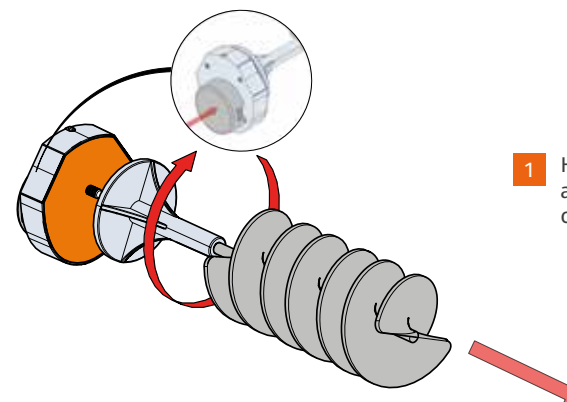
- 1 SHA with screw

- 2 Attach the wrench to hold the rotary coupler.



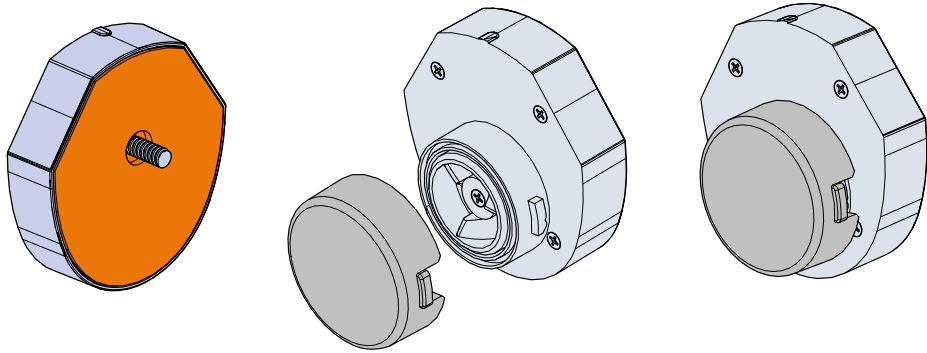
- 3 Hold the wrench and rotate the bottle brush anticlockwise to attach

## SHA - Removing the Bottle Brush Attachment



- 1 Hold the wrench and rotate the bottle brush clockwise to deattach

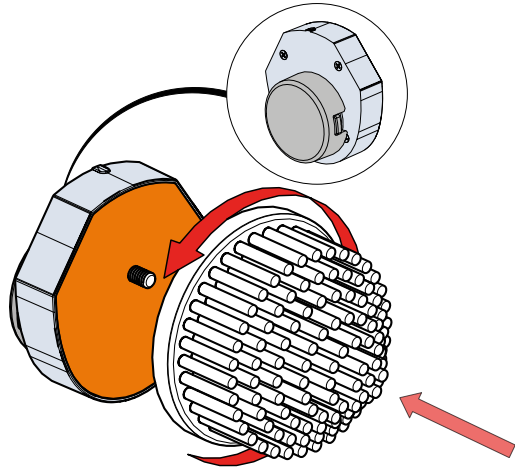
## SHA - Attaching the Corner Brush Attachment



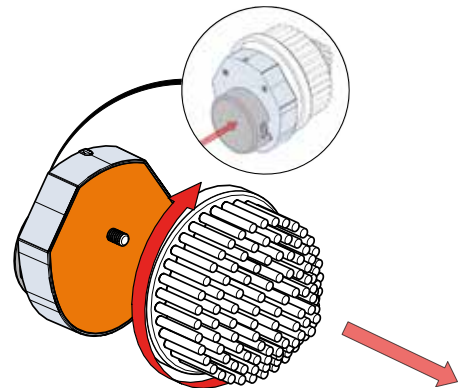
1 SHA with screw

2 Attach the wrench to hold the rotary coupler.

3 Hold the wrench and rotate the corner brush anticlockwise to attach

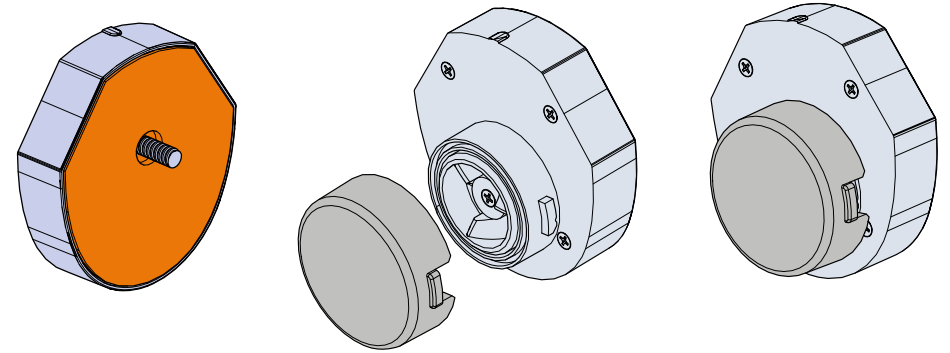


## SHA - Removing the Corner Brush Attachment



1 Hold the wrench and rotate the corner brush clockwise to deattach

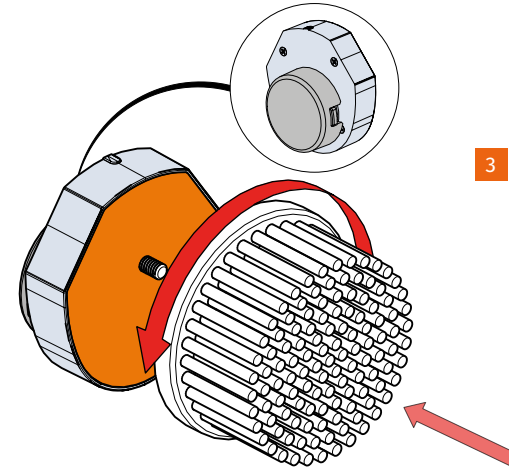
## SHA - Attaching the Flat Brush Attachment



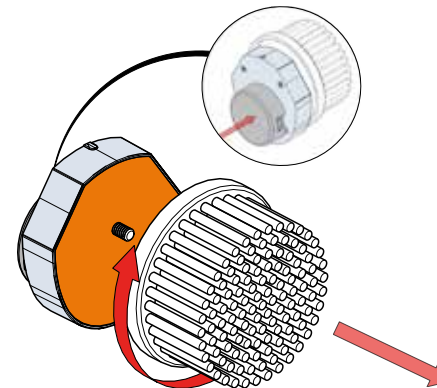
1 SHA with screw

2 Attach the wrench to hold the rotary coupler.

3 Hold the wrench and rotate the flat brush anticlockwise to attach

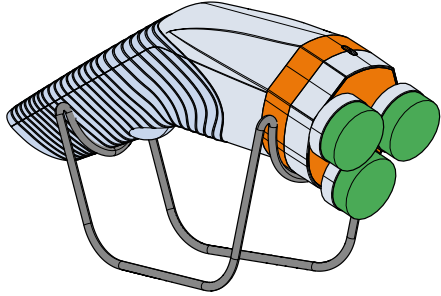


## SHA - Removing the Flat Brush Attachment



1 Hold the wrench and rotate the flat brush clockwise to deattach

## Maintenance and Service



### Maintenance and Cleaning

- There is risk of injury from unintentionally pressing the on/off switch.
- To ensure safe and efficient operation, always keep the Skadu and the attachments clean.
- Charge and discharge fully every time for best battery life.
- Always use the USB cable provided by the product for charging. In case you are using a different cable, ensure that the cable matches the exact specifications as the one provided with Skadu.
- Never leave the unit in mucky or grimy spaces or underwater in the sink.
- Never use the product when the charging cable is plugged in.
- Never put the Skadu or its attachments in the dishwasher .
- Do not scrub the device clean if dirty, just run it under water and wipe with a dry cloth.
- Do not use Skadu under more than 1 meter of water.
- Do not use any hazardous chemicals to clean the appliance or spray any flammable sprays near the appliance.
- To protect the power cord, please do not aggressively bend or put heavy objects on top of the power cord.
- **DO NOT ADD TO DISHWASHER**
- Do not plug multiple power cords on a single outlet during charging.
- Do not touch the power cord with wet hands
- Do not drop the appliance or implicit strong force to the appliance.
- Do not unplug by pulling off the power cord cable

- Do not put your finger in the Skadu when in operation.
- Do not use skadu on any living beings.

### After-Sales Service and Application Service

Our after-sales service responds to your questions concerning maintenance and repair of your product as well as spare parts.

You can find drawings of the Skadu and information on spare parts at:  
[www.hyperlychee.com](http://www.hyperlychee.com)

The Hyper Lychee product use advice team will be happy to help you with any questions about our products and their accessories. In all correspondence and spare parts orders, please always include the 10-digit article number given on the nameplate of the product.

### Velcro Pads

If the velcro pads are coming out due to hold/cold water temperatures and hard pulling of the pads during exchange, please follow the following steps:

1. Once the pad completely detaches from the plastic disc, remove it and keep it aside.
2. Clean the plastic disc and velcro pad with a scrapping tool to remove the old glue. (Do not use a sharp knife or any sharp object)
3. Add any fast drying, strong bond glue that can bond plastic, metal and fabrics. In the US there is Gorilla Glue and in Australia there is UHU Glue - you can find one easily in your region. - If you can't find one, reach out to us and we'll find one for you.
4. Apply a few drops of the glue on the plastic base and stick the velcro pad on top immediately after.
5. Let it dry for an hour.
6. The triple head is now as good as new and ready to go!



Hyper Lychee

**Skadu**

Product Code

Santa Clara | Goa