



MIMOSA[®]

THE SIGNATURE COLLECTION



OUTDOOR GAS AREA HEATER -STAINLESS STEEL



- Provides warmth and ambiance for outdoor settings
- CSA/ANSI Z83.26 :20 • CSA 2.37:20 Gas-fired outdoor infrared patio heaters

ITEM NO.
0176455
MADE IN
CHINA

INFORMATION



Important: Please retain these instructions for future use

DANGER

If you smell gas:

1. Shut off gas to the appliance.
2. Extinguish any open flame.
3. If odor continues, keep away from the appliance and immediately call your gas supplier or fire department.

WARNING

Do not store or use gasoline or other flammable vapors and liquids in the vicinity of this or any other appliance. An LP-cylinder not connected for use shall not be stored in the vicinity of this or any other appliance.

WARNING: For Outdoor Use Only

DANGER



CARBON MONOXIDE HAZARD

This appliance can produce carbon monoxide which has no odor. Using it in an enclosed space can kill you. Never use this appliance in an enclosed space such as a camper, tent, car or home.

WARNING

Improper installation, adjustment, alteration, service or maintenance can cause property damage, injury or death. Read the installation, operation and maintenance instructions thoroughly before installing or servicing this equipment.

Gas Leak Test

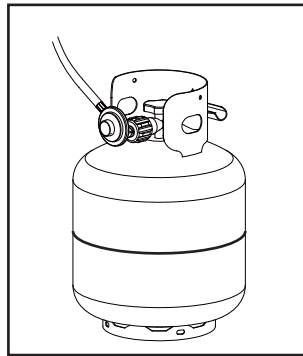
Gas connections on the heater are leak tested at the factory prior to shipment. A complete gas tightness check must be performed due to possible mishandling in shipment or excessive pressure being applied to the heater gas connections.

1. Make a soap solution of one part liquid detergent and one part water.

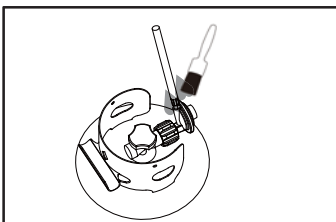


Make sure the control knob on the heater is off and the gas valve on the cylinder is off before mixing the soapy solution.

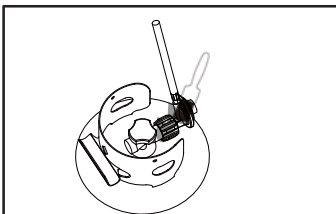
2. Turn on the gas bottle.



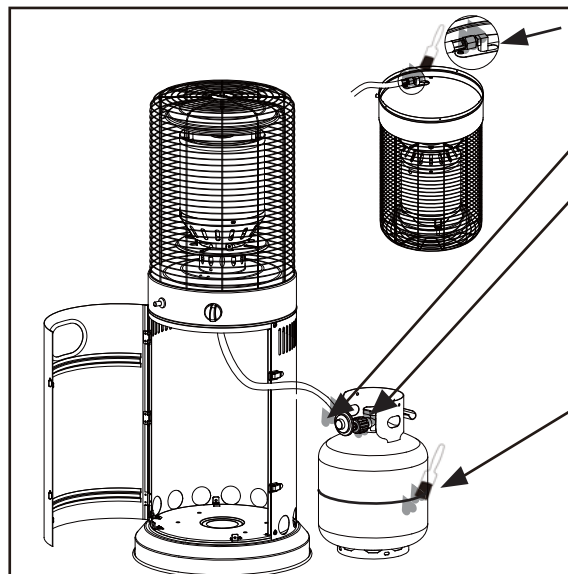
3. Apply the soap solution to the gas connections using a soft bristle brush.



Hose / Regulator connection



Regulator / Cylinder connection



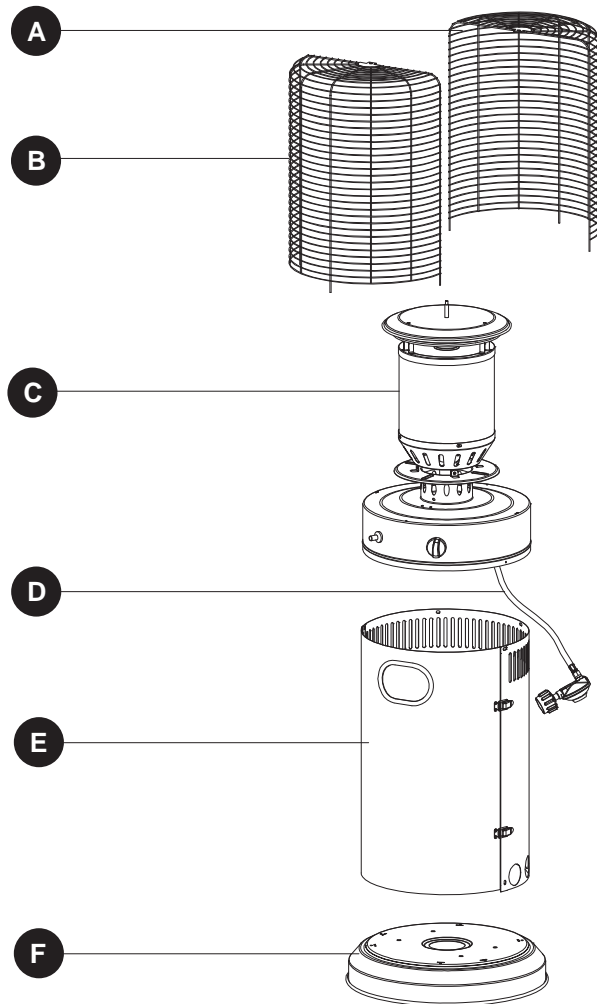
Soap bubbles will appear if there is a gas leak. In case of a leak, turn off the gas supply. Tighten any leaking fittings, then turn the gas supply on and re-check.

If there is a leak anywhere on the gas cylinder, do not use the cylinder. Locate the leaking cylinder outdoors away from sources of ignition, then contact your local gas authority or cylinder exchange provider to arrange disposal.

Warning:

Do not operate the appliance until all gas leaks have been rectified. Never leak test while smoking.

PACKAGE CONTENTS



PART	DESCRIPTION	QUANTITY
A	Female Safety Guard	1
B	Male Safety Guard	1
C	Burner Head Assembly	1
D	Regulator and hose assembly	1
E	Tank Housing Body	1
F	Base	1

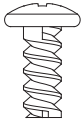
HARDWARE CONTENTS (shown actual size)

AA



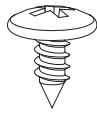
M6
Dome
Nut
Qty. 1

BB



Screw
M5 x 12
Qty. 10

CC



Self Taping
Screws
Qty. 4

DD



Stand connectors
Qty. 6

SAFETY INFORMATION

Please read and understand this entire manual before attempting to assemble, operate or install the product. This manual contains important information about the assembly, operation and maintenance of this patio heater. General safety information is presented in these first few pages and is also located throughout the manual. Keep this manual for future reference and to educate new users of this product. This manual should be read in conjunction with the labeling on the product. Safety precautions are essential when any mechanical or LPG fueled equipment is involved. These precautions are necessary when using, storing, and servicing. Using this equipment with the respect and caution demanded will reduce the possibilities of personal injury or property damage. The following symbols shown below are used extensively throughout this manual. Always heed these precautions, as they are essential when using any mechanical or fueled equipment.

DANGER

DANGER indicates an imminently hazardous situation which, if not avoided, will result in death or serious injury.

DANGER

Failure to comply with the precautions and instructions provided with this heater can result in death, serious bodily injury and property loss or damage from hazards of fire, explosion, burn, asphyxiation, and/or carbon monoxide poisoning. Only persons who can understand and follow the instructions should use or service this heater.

DANGER

FOR YOUR SAFETY

If you smell gas:

1. Shut off gas to the appliance.
2. Extinguish any open flame.
3. If odor continues, keep away from the appliance and immediately call you gas supplier or fire department.

SAFETY INFORMATION

DANGER

- EXPLOSION - FIRE HAZARD
- Keep solid combustibles, such as building materials, paper or cardboard, a safe distance away from the heater as recommended by the instructions.
- Provide adequate clearances around air openings into the combustion chamber.
- Never use the heater in spaces which do or may contain volatile or airborne combustibles, or products such as gasoline, solvents, paint thinner, dust particles or unknown chemicals.
- During operation, this product can be a source of ignition. Keep heater area clear and free from combustible materials, gasoline, paint thinner, cleaning solvents and other flammable vapors and liquids. Do not use heater in areas with high dust content. Minimum heater clearances from combustible materials: two (2) feet from the sides & four (4) feet from the top.

DANGER

- EXPLOSION - FIRE HAZARD
- Never store LPG near high heat, open flames, pilot lights, direct sunlight, other ignition sources or where temperatures exceed 120 degrees F (49°C).
- LPG vapors are heavier than air and can accumulate in low places. If you smell gas, leave the area immediately.
- Never install or remove LPG cylinder while heater is lighted, near flame, pilot lights, other ignition sources or while heater is hot to touch.
- This heater is red hot during use and can ignite flammables too close to the burner. Keep flammables at least 2 feet from sides & 4 feet from top. Keep gasoline and other flammable liquids and vapors well away from heater.
- Store the LPG cylinder outdoors in a well ventilated space out of reach of children. Never store the LPG cylinder in an enclosed area (house, garage, etc.). If heater is to be stored indoors, disconnect the LPG cylinder for outdoor storage.

WARNING

Improper installation, adjustment, alteration, service or maintenance can cause property damage, injury or death. Read the installation, operation and maintenance instructions thoroughly before installing or servicing this equipment.

DANGER

- CARBON MONOXIDE HAZARD
- This heater is a combustion appliance. All combustion appliances produce carbon monoxide (CO) during the combustion process. This product is designed to produce extremely minute, non-hazardous amounts of CO if used and maintained in accordance with all warnings and instructions. Do not block air flow into or out of the heater.
- Carbon Monoxide (CO) poisoning produces flu-like symptoms, watery eyes, headaches, dizziness, fatigue and possibly death. You can't see it and you can't smell it. It's an invisible killer. If these symptoms are present during operation of this product get fresh air immediately!
- For outdoor use only.
- Never use inside house, or other unventilated or enclosed areas.
- This heater consumes air (oxygen). Do not use in unventilated or enclosed areas to avoid endangering your life.

WARNING

WARNING indicates an imminently hazardous situation which, if not avoided, will result in death or serious injury.

WARNING

Do not store or use gasoline or other flammable vapors and liquids in the vicinity of this or any other appliance. An LP-cylinder not connected for use shall not be stored in the vicinity of this or any other appliance.

WARNING: For Outdoor Use Only

DANGER



CARBON MONOXIDE HAZARD
This appliance can produce carbon monoxide which has no odor. Using it in an enclosed space can kill you. Never use this appliance in an enclosed space such as a camper, tent or home.

SAFETY INFORMATION

WARNING

BURN HAZARD

- Never leave heater unattended when hot or in use.
- Keep out of reach of children.

WARNING

Certain materials or items, when stored under the heater, will be subjected to radiant heat and could be seriously damaged.

CAUTION

SERVICE SAFETY

- Keep all connections and fittings clean. Make sure LPG cylinder valve outlet is clean.
- During set up, check all connections and fittings for leaks using soapy water. Never use a flame.
- Use as a heating appliance only. Never alter in any way or use with any device.

CAUTION

CAUTION indicates an imminently hazardous situation which, if not avoided, may result in minor or moderate personal injury, or property damage.

WARNING

- This product is fueled by LPG. LPG is invisible, odorless, and flammable. An odorant is normally added to help detect leaks and can be described as a “rotten egg” smell. The odorant can fade over time so leaking gas is not always detectable by smell alone.
- LPG is heavier than air and leaking LPG will sink to the lowest level possible. It can ignite by ignition sources including matches, lighters, sparks or open flames of any kind many feet away from the original leak. Use only LPG set up for vapor withdrawal.
- Store or use LPG in compliance with local ordinances and codes or with ANS/NFPA 58. Turn off LPG when not in use.

WARNING

- Alert children and adults to the hazards of high surface temperatures. Stay away from these surfaces to avoid burning skin or igniting clothing.
- Carefully supervise young children when in the vicinity of the heater.
- Do not hang clothing or any other flammable materials from the heater, or place on or near the heater.
- Replace any guard or protective device removed for servicing the appliance prior to placing back in service.
- Installation and repair should be done by a qualified service person. The heater should be inspected before use and annually by a qualified service person. More frequent cleaning may be required as necessary. It is imperative that the control compartment, burners, and circulating air passageway of the appliance be kept clean.

PREPARATION

Before beginning assembly of product, make sure all parts are present. Compare parts with package contents list and hardware contents above. If any part is missing or damaged, do not attempt to assemble the product. Contact customer service for replacement parts.

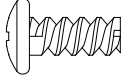
Estimated Assembly Time: 20 minutes

Tools Required for Assembly (not included):
Phillips screwdriver. Leak Detection Solution.

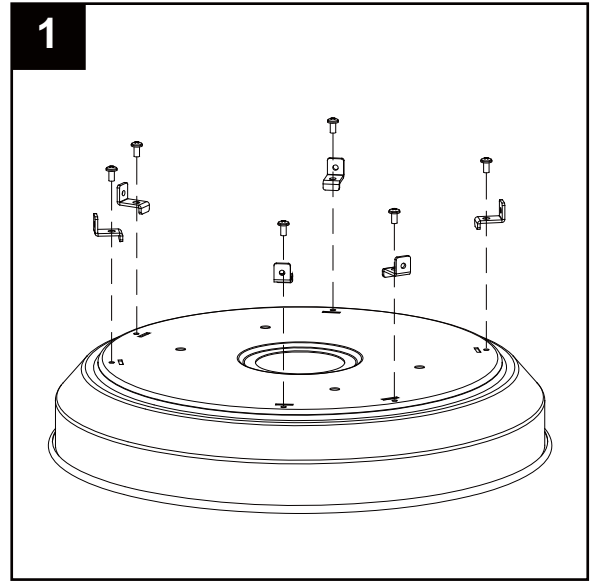
ASSEMBLY INSTRUCTIONS

1. Use 6pcs M5X12 screw to join the stand and stand connectors.

Hardware Used

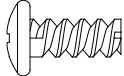
BB Screw M5 x 12  x 6

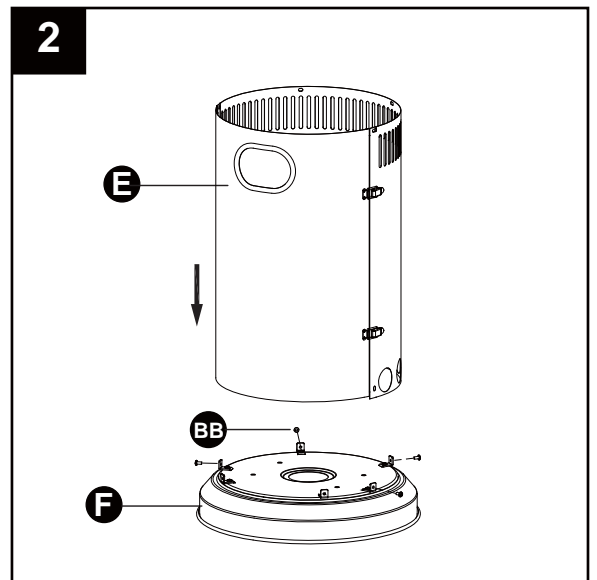
DD Stand connectors  x 6



2. Use 4pcs M5X12 screw (BB) to join the tank housing body (E) and base (F).

Hardware Used

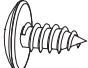
BB Screw M5 x 12  x 4

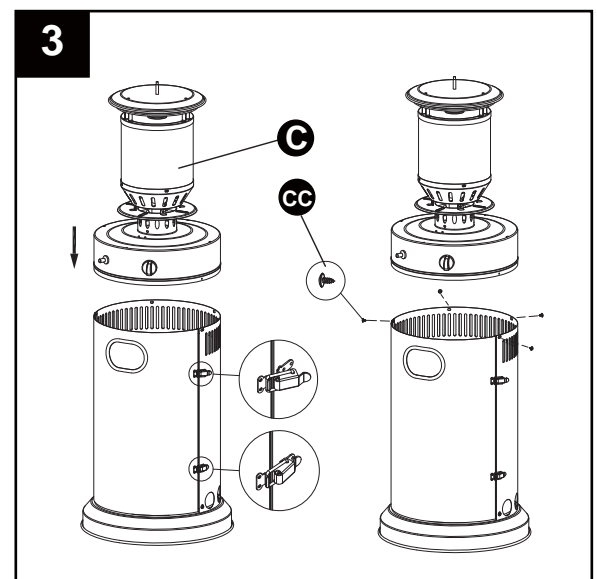


3-1. Hasp the second door locker and open the first one as shown in photos.

3-2. Use 4pcs Self Taping Screws join the burner head and tank housing body.

Hardware Used

CC Self Taping Screws  x 4

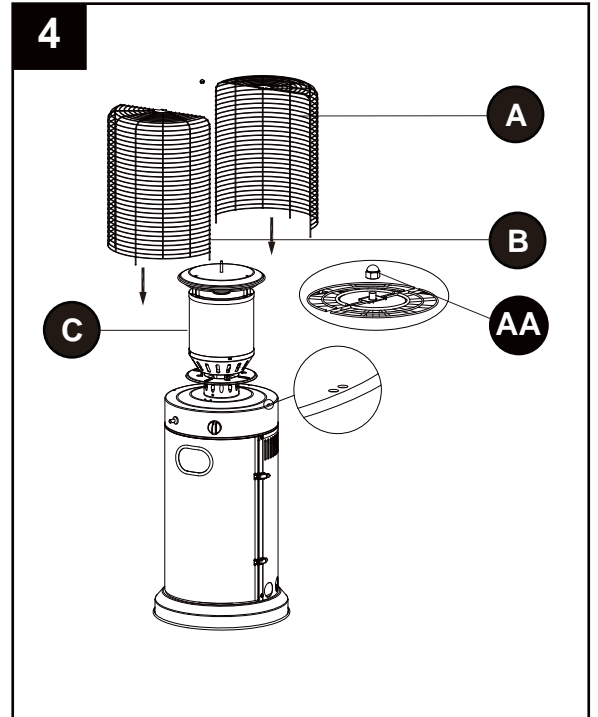


ASSEMBLY INSTRUCTIONS

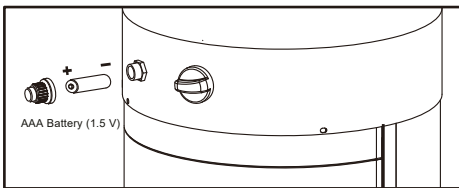
4. Use the M6 Dome Nut (AA) connect the female safety guards (A) and male safety guard (B) to burner head assembly (C).

Hardware Used

- AA** M6 Dome Nut  x 1

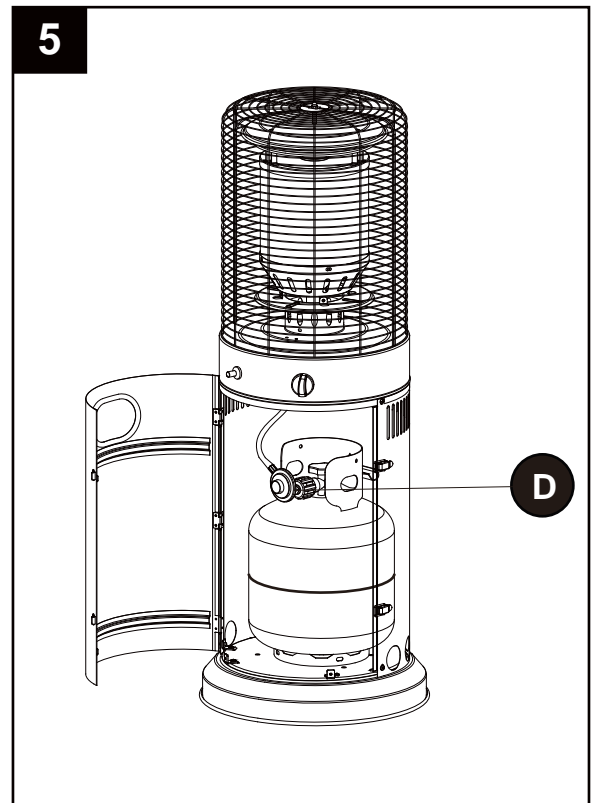


- 5-1. Unscrew the igniter button, then install the battery and tighten igniter button.



- 5-2. Open the door of tank housing body.
5-3. Attach the regulator (D) to the gas cylinder and tighten with wrench if fitted with a nut, or tighten by hand if fitted with a hand wheel.
5-4. Then leak test the gas inlet and gas cylinder connections as explained on page 11.
5-5. Put the gas cylinder into the tank housing, then close the door.

Note: The ignitor is powered by a small battery, if the pilot can't be lighted, the problem may be the battery which is exhausted. Please replace the battery(DC 1.5V).



ASSEMBLY INSTRUCTIONS

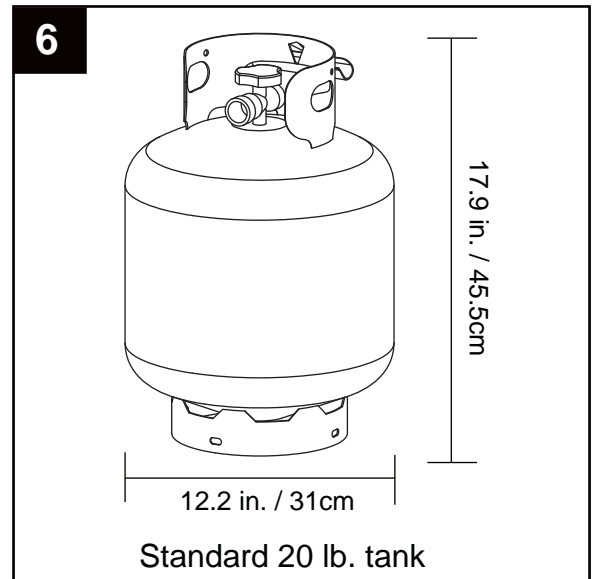
6. Connect hose and regulator to cylinder.
The LPG gas and cylinder are sold separately.
Use a standard 20 lb. LPG cylinder only
(approximately 12.2 in. / 31cm. in diameter and 17.9 in.
/ 45.5cm high).

Use this heater only with a LPG vapor withdrawal
supply system. See chapter 5 of the standard for
storage and handling of liquefied petroleum gas,
ANS/NFPA 58. Your local library or fire department
should have this book.

Storage of an appliance indoors is permissible only if
the cylinder is disconnected and removed from the
appliance. A cylinder must be stored outdoors in a
well-ventilated area out of the reach of children.

A disconnected cylinder must have dust caps tightly
installed and must not be stored in a building, garage or
any other enclosed area. The maximum inlet gas supply
pressure: 250 psi /1750 kPa. The minimum inlet gas
supply pressure: 5 psi /35kPa. Manifold pressure with
regulator provided: 11 inch W.C/ 2.74 kPa.

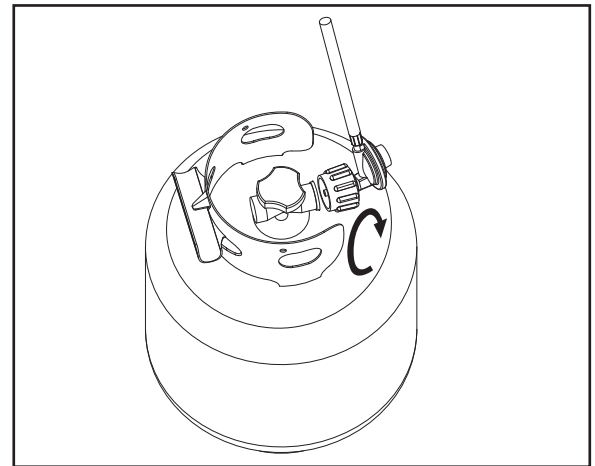
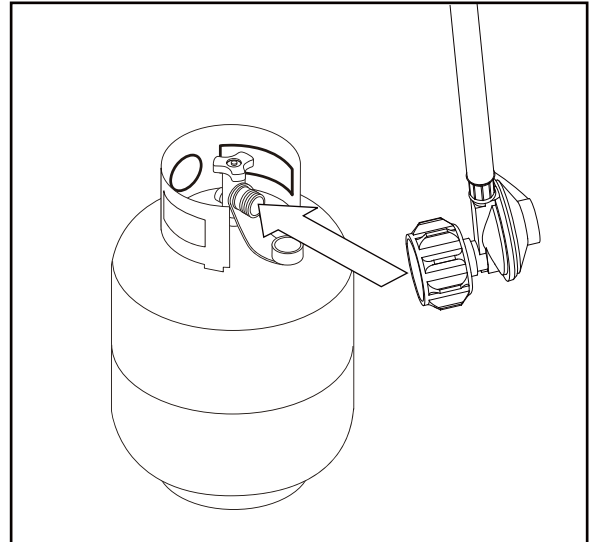
The pressure regulator and hose assembly supplied with
the appliance must be used. The installation must conform
with local codes, or in the absence of local codes, with
national fuel gas code, ANS Z223.1/NFPA54, natural gas
and propane Installation Code, CSA B149.1, or propane
storage and handling code, B149.2.



ASSEMBLY INSTRUCTIONS

The knob on the LP tank must be closed. Make sure that the knob is turned ↻ clockwise to a full stop. The cylinder supply system must be arranged for vapor withdrawal. Check that the control knob on the control unit is turned off. Hold the regulator in one hand and insert the nipple into the valve outlet. Be sure the nipple is centered in the valve outlet. The coupling nut connects to the large outside threads on the valve outlet. Hand-tighten the coupling nut ↻ clockwise until it comes to a full stop. Firmly tighten by hand only.

To Disconnect: Fully close the tank valve by turning ↻ clockwise. Turn the coupling nut ↻ counterclockwise until the regulator assembly detaches.



A dented, rusted or damaged LPG cylinder may be hazardous and should be checked by your cylinder supplier. Never use a LPG cylinder with a damaged valve connection.

The LPG cylinder must be constructed and marked in accordance with the specifications for LP gas cylinders of the U.S. Department of Transportation (DOT) or the standard for cylinders, spheres and tubes for transportation of dangerous goods and commission, CAN/CSA-B339.

The cylinder must have a listed overfilling prevention device.

The cylinder must have a connection device compatible with the connection for the appliance.

The cylinder used must include a collar to protect the cylinder valve.

Never connect an unregulated LPG cylinder to the heater.

Attach regulator to cylinder. Complete attachment.

Install cylinder.

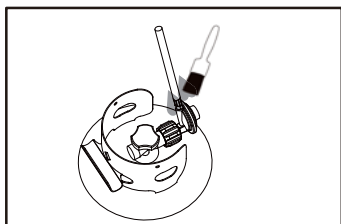
- Do not store a spare LP-gas cylinder under or near this appliance;
- Never fill the cylinder beyond 80 percent full;
- “Place the dust cap on the cylinder valve outlet whenever the cylinder is not in use. Only install the type of dust cap on the cylinder valve that is provided with the cylinder valve. Other type of caps or plugs may result in leakage of propane.”

OPERATION INSTRUCTIONS

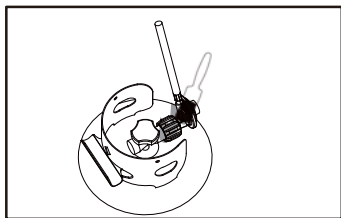
Leak Check

! WARNING

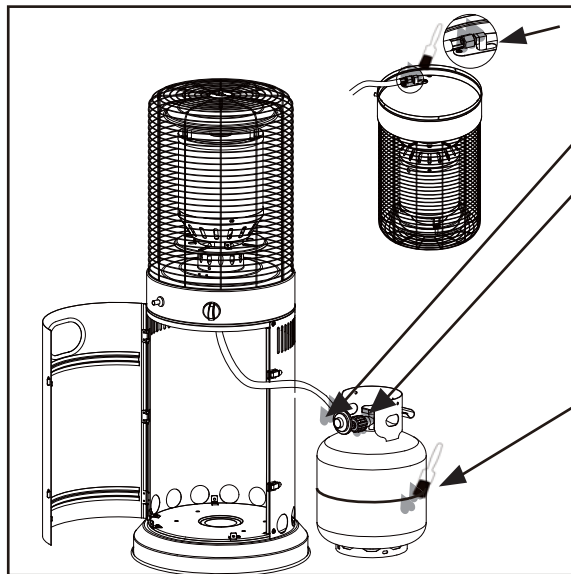
- Perform all leak tests outdoors.
- Extinguish all open flames.
- NEVER leak test when smoking.
- Do not use the heater until all connections have been leak tested and do not leak.



Hose / Regulator connection



Regulator / Cylinder connection



1. Make 2-3 oz. of leak check solution (one part liquid detergent and one part water).
2. Apply solution thoroughly where hose attaches to regulator and heater.
3. Apply solution thoroughly where regulator connects to cylinder.
4. Make sure all patio heater and light valves are OFF.
5. Turn cylinder valve ON.

If bubbles appear at any connection, there is a leak.

1. Turn cylinder valve OFF.
2. If leak is at hose/regulator connection: tighten connection and perform another leak test. If bubbles continue appearing, the hose should be returned to the place of purchase.
3. If leak is at regulator/cylinder valve connection: disconnect, reconnect, and perform another leak check. If you continue to see bubbles after several attempts, cylinder valve is defective and should be returned to cylinder's place of purchase.

If NO bubbles appear at any connection, the connections are secure.

NOTE: Whenever gas connections are loosened or removed, you must perform a complete leak test.

4. Complete installation.

OPERATION INSTRUCTIONS

DANGER

- CARBON MONOXIDE HAZARD
- For outdoor use only. Never use inside house, or other unventilated or enclosed areas. This heater consumes air (oxygen). Do not use in unventilated or enclosed areas to avoid endangering your life.

Caution: *Do not attempt to operate until you have read and understand all General Safety Information in this manual and all assembly is complete and leak checks have been performed.*

Before Turning Gas Supply ON:

1. Your heater was designed and approved for outdoor use only. Do NOT use it inside a building, garage, or any other enclosed area.
2. Make sure surrounding areas are free of combustible materials, gasoline, and other flammable vapors or liquids.
3. Ensure that there is no obstruction to air ventilation. Be sure all gas connections are tight and there are no leaks.
4. Be sure the cylinder cover is clear of debris. Be sure any component removed during assembly or servicing is replaced and fastened prior to starting.

Before Lighting:

1. Heater should be thoroughly inspected before each use, and by a qualified service person at least annually. If relighting a hot heater, always wait at least 5 minutes.
2. Inspect the hose assembly for evidence of excessive abrasion, cuts, or wear. Suspected areas should be leak tested. If the hose leaks, it must be replaced prior to operation. Only use the replacement hose assembly specified by manufacturer.
3. The pressure regulator and hose assembly supplied with the appliance must be used. Replacement pressure regulators and hose assemblies must be those specified by the appliance manufacturer.

Lighting:

Note: *For initial start or after any cylinder change, hold control knob in for 2 minutes to purge air from gas lines before proceeding.*

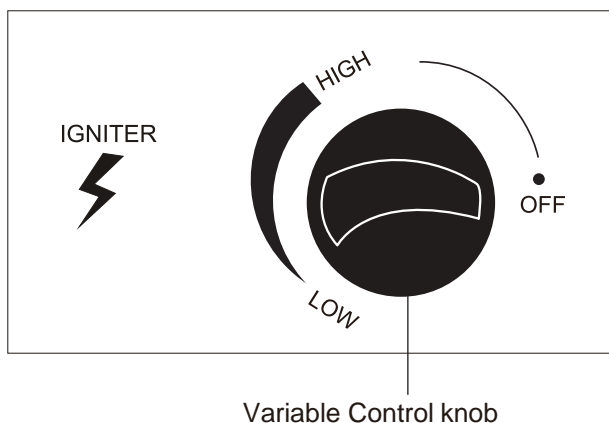
TO TURN ON THE HEATER

1. Turn on the valve on the gas cylinder.
2. Press and turn the control knob to HI position (anti-clockwise 90°).
3. Press and hold down the control knob, at the same time repeatedly pressing the igniter button until the burner is ignited. Release the control knob 10 seconds after the ignition, at which time the burner should remain alight.
4. Turn the control knob to LO and leave it there for 5 minutes or more before turning the knob to the desired temperature setting.
5. If the burner fails to light or goes out turn the control knob to the "OFF" position. Wait at least 5 minutes to allow any gas to dissipate, and repeat steps 2 - 4.
6. If still unable to light the burner turn the control knob to the "OFF" position, turn off the valve on the gas cylinder, disconnect and remove the gas cylinder and return the heater to the place of purchase for a replacement.

OPERATION INSTRUCTIONS

TO TURN OFF THE HEATER

1. Turn the control knob to HI position.
2. Press and turn the control knob to OFF position.
3. Turn off the valve on the gas cylinder.



If you experience any ignition problem please consult “Troubleshooting” on page 16.

Caution: *Avoid inhaling fumes emitted from the heater’s first use. Smoke and odor from the burning of oils used in manufacturing will appear. Both smoke and odor will dissipate after approximately 30 minutes. The heater should NOT produce thick black smoke.*

When heater is ON:

Emitter screen will become bright red due to intense heat. The color is more visible at night. Burner will display tongues of blue and yellow flame. These flames should not be yellow or produce thick black smoke, indicating an obstruction of airflow through the burners. The flame should be blue with straight yellow tops. If excessive yellow flame is detected, turn off heater and consult “Troubleshooting” on page 16.

! WARNING

FOR YOUR SAFETY
Heater will be hot after use. Handle with extreme care.

Operation Checklist

For a safe and pleasurable heating experience, perform this check before each use.

Before Operating:

1. I am familiar with entire owner’s manual and understand all precautions noted.
2. All components are properly assembled, intact and operable.
3. No alterations have been made.
4. All gas connections are secure and do not leak.
5. Wind velocity is below 10 mph.
6. Unit will operate at reduced efficiency below 40°F.
7. Heater is outdoors (outside any enclosure).
8. There is adequate fresh air ventilation.

OPERATION INSTRUCTIONS

9. Heater is away from gasoline or other flammable liquids or vapors.
10. Heater is away from windows, air intake openings, sprinklers and other water sources.
11. Heater is at least 48 in. on top and at least 24 in. on sides from combustible materials.
12. Heater is on a hard and level surface.
13. There are no signs of spider or insect nests.
14. All burner passages are clear.
15. All air circulation passages are clear.
- 16. Children and adults should be alerted to the hazards of high surface temperatures and should stay away to avoid burns or clothing ignition.**
- 17. Young children should be carefully supervised when they are in the area of the heater.**
- 18. Clothing or other protective material should not be hung from the heater, or placed on or near the heater.**
- 19. Any guard or other protective device removed for servicing the heater must be replaced prior to operating the heater.**
- 20. Installation and repair should be done by a qualified service person. The heater should be inspected before use and at least annually by a qualified service person.**
- 21. More frequent cleaning may be required as necessary. It is imperative that control compartment, burner and circulating air passageways of the heater be kept clean.**

After Operation

1. Gas control is in OFF position.
2. Gas Tank valve is OFF.

CARE AND MAINTENANCE

WARNING

FOR YOUR SAFETY:

- Do NOT touch or move heater for at least 45 minutes after use.

To enjoy years of outstanding performance from your heater, make sure you perform the following maintenance activities on a regular basis:

Keep exterior surfaces clean.

1. Use warm soapy water for cleaning. Never use flammable or corrosive cleaning agents.
2. While cleaning your unit, be sure to keep the area around the burner and pilot assembly dry at all times. Do not submerge the control valve assembly. If the gas control is submerged in water, do NOT use it. It must be replaced.
 - a. Keep the appliance area clear and free from combustible materials, gasoline and other flammable vapors and liquids.
 - b. Do not obstruct the flow of combustion and ventilation air.
 - c. Keep the ventilation opening(s) of the cylinder enclosure free and clear from debris.
3. Air flow must be unobstructed. Keep controls, burner, and circulating air passageways clean. Signs of possible blockage include:

CARE AND MAINTENANCE

Abnormal Operation

- Gas odor with extreme yellow tipping of flame.
- Heater does NOT reach the desired temperature.
- Heater glow is excessively uneven.
- Heater makes popping noises.
- Spiders and insects can nest in burner or orifices. This dangerous condition can damage heater and render it unsafe for use. Clean burner holes by using a heavy-duty pipe cleaner. Compressed air may help clear away smaller particles.
- Carbon deposits may create a fire hazard. Clean dome and burner screen with warm soapy water if any carbon deposits develop.



Note: In a salt-air environment (such as near an ocean), corrosion occurs more quickly than normal. Frequently check for corroded areas and repair them promptly.

TIP:

Use high-quality automobile wax to help maintain the appearance of your heater. Apply to exterior surfaces from the pole down. Do not apply to emitter screen or domes.

Storage

Between uses:

- Turn Control Knob OFF.
- Disconnect LP source.
- Store heater upright in an area sheltered from direct contact with inclement weather (such as rain, sleet, hail, snow, dust and debris).
- If desired, cover heater to protect exterior surfaces and to help prevent build-up in air passages.

Note: Wait until heater is cool before covering.

During periods of extended inactivity or when transporting:

- Turn Control Knob OFF.
- Disconnect LP source and move to a secure, well-ventilated location outdoors.
- Store heater upright in an area sheltered from direct contact with inclement weather (such as rain, sleet, hail, snow, dust and debris).
- If desired, cover heater to protect exterior surfaces and to help prevent build-up in air passages. Never leave LP cylinder exposed to direct sunlight or excessive heat.

Note: Wait until heater is cool before covering.

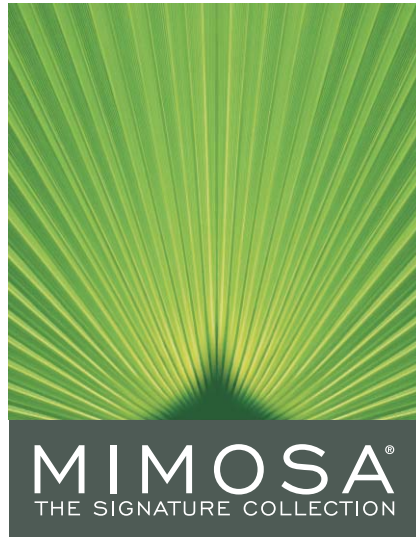
Service

Only a qualified service person should repair gas passages and associated components.

Caution: Always allow heater to cool before attempting service.

Trouble Shooting

Problem	Possible cause	What you can do (if these do not work, contact an authorised technician)	What <u>ONLY</u> an authorised service technician can do
● Burner will not light	Gas valve may be OFF Tank fuel empty Opening blocked Loose connections Low gas pressure Thermocouple bad Not in correct location	Turn the gas valve ON Check all fittings Replace cylinder with a new cylinder	Refill gas cylinder Remove and clean Replace thermocouple
● Burner will not stay on	Loose connections Thermocouple bad Gas leak in line Lack of fuel pressure Tank near empty	Tighten connections Check connections	Clean dirty area Replace thermocouple Refill gas cylinder
● Burner flame is low	Supply hose is bent or twisted	Straighten hose and perform leak test on hose	
● Emitter glows uneven	Low gas pressure Base is not on a level surface	Replace cylinder with a new cylinder Place heater on a level surface	
● Thick black smoke	Blockage in burner	Turnoff the heater and let it cool.	Remove blockage and clear burner inside and outside
● Carbon build-up	Dirt or film on r e flector and flame screen	Clean reflector and flame screen	
● Gas leak at inlet connection	Damaged or deteriorated O-ring seal	Fit a new O-ring	



PRODUCT WARRANTY

Any claim under this warranty must be made within 12 Months of the date of purchase of the product. To make a claim under the warranty, take the product (with proof of purchase) to any Bunnings store (see www.bunnings.com.au or bunnings.co.nz for store locations)

Bunnings Group Ltd bears reasonable, direct, expenses of claiming under the warranty. You may submit details and proof to our store for consideration.

The warranty covers manufacturer defects in materials, workmanship and finish under normal use.

This warranty is provided in addition to other rights and remedies you may have under law: our goods come with guarantees which cannot be excluded under the Australian Consumer Law or Consumer Guarantees Act 1993 (NZ). You are entitled to replacement or refund for a major failure and to compensation for other reasonably foreseeable loss or damage. You are also entitled to have the goods repaired or replaced if the goods fail to be of acceptable quality and the failure does not amount to a major failure.

The warranty excludes damage resulting from product misuse or product neglect. The warranty covers domestic use only and does not apply to commercial applications.

This warranty is given by Bunnings Group Limited ABN 26 008 672 179, Botanicca 3 Level 2 East Tower 570 Swan Street, Burnley, VIC 312, e-mail:

CustomerSupport@bunnings.com.au

Or call our Customer Support Team – Ph.1800 797 586

This warranty is given by Bunnings NZ Limited: Postal address: PO Box 14436, Panmure, Auckland 1741,

e-mail: OnlineEnquiries@bunnings.co.nz Or call our Customer Support Team – [Ph.1800 797 586](tel:1800797586)