

# jumbuck®

## Outdoor Patio Heater

- Portable heater with gas bottle housing.
- Wheels for easy mobility.
- Stainless Steel Burner head.
- Operates on U-LPG.
- 31.0MJ/h Output.
- Flame failure & tip over safety switch.
- 9Kg gas bottle fits housing.
- Powder coated steel.
- Colour: Charcoal.
- 12 month warranty.



The Australian  
Gas Association

Please retain this manual for reference

# GAS LEAK TEST

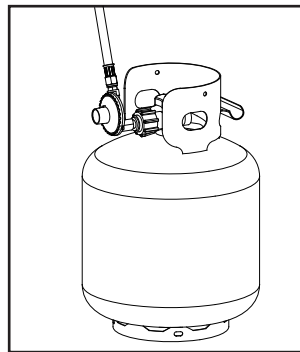
Gas connections on the heater are leak tested at the factory prior to shipment. A complete gas tightness check must be performed due to possible mishandling in shipment or excessive pressure being applied to the heater gas connections.

1. Make a soap solution of one part liquid detergent and one part water.

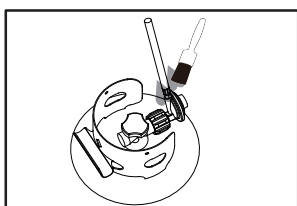


Make sure the control knob on the heater is off and the gas valve on the cylinder is off before mixing the soapy solution.

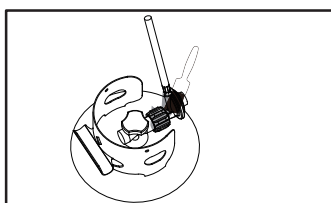
2. Turn on the gas bottle.



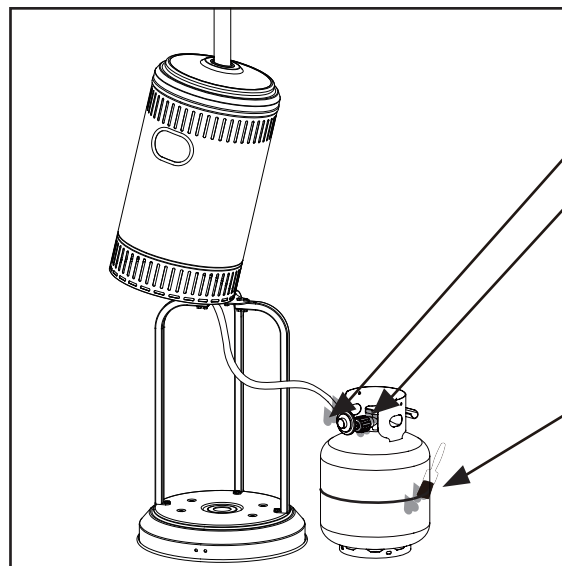
3. Apply the soap solution to the gas connections using a soft bristle brush.



Hose / Regulator connection



Regulator / Cylinder connection



Soap bubbles will appear if there is a gas leak. In case of a leak, turn off the gas supply. Tighten any leaking fittings, then turn the gas supply on and re-check.

If there is a leak anywhere on the gas cylinder, do not use the cylinder. Locate the leaking cylinder outdoors away from sources of ignition, then contact your local gas authority or cylinder exchange provider to arrange disposal.

## Warning:

Do not operate the appliance until all gas leaks have been rectified. Never leak test while smoking.

# TABLE OF CONTENTS

Caution .....	1
Heater Stand and Location .....	2
Gas Requirements .....	4
Leakage Test .....	4
Operation and Storage .....	5
Cleaning and Care .....	6
Parts and Specifications .....	6
Assembly Parts and Procedures .....	7
Trouble Shooting .....	11

# CAUTION

## PLEASE READ CAREFULLY THE FOLLOWING SAFETY GUIDELINES BEFORE OPERATION.

- This patio heater is not for commercial use.
- Do not use the patio heater for indoors, as it may cause personal injury or property damage.
- Do not place articles on or against this appliance
- Do not use or store flammable materials near this appliance
- Do not spray aerosols in the vicinity of this appliance while it is in operation
- This outdoor heater is not intended to be installed on recreational vehicles and/or boats.
- Repair should be done by a qualified service person.
- Improper installation, adjustment, alteration can cause personal injury or property damage.
- Do not attempt to alter the unit in any manner.
- Never replace or substitute the regulator with any regulator other than the factory-suggested replacement.
- Do not store or use petrol or other flammable vapors or liquids in the heater unit.
- The whole gas system, hose, regulator, pilot or burner should be inspected for leaks or damage before use, and at least annually by a qualified service person.
- All leak tests should be done with a soap solution. Never use an open flame to check for leaks.
- Do not use the heater until all connections have been leak tested.
- Turn off the gas valve immediately if smell of gas is detected.
- Do not transport heater while it's operating.
- Do not move the heater after it has been turned off until the temperature has cooled down.
- Keep the ventilation opening of the cylinder enclosure free and clear of debris.
- Do not paint the radiant screen, control panel or top canopy reflector.
- Control compartment, burner and circulation air passageways of the heater must be kept clean. More frequent cleaning may be required as necessary.
- The gas cylinder should be turned off when the heater is not in use.
- Check the heater immediately if any of the following occurs:
  - the heater does not reach temperature.
  - the burner makes popping noise during use ( a slight noise is normal when the burner is extinguished ).
  - smell of gas in conjunction with extreme yellow tipping of the burner flames.
- The regulator/hose assembly must be located out of pathways where people may trip over it or in area where the hose will not be subject to accidental damage.
- Any guard or other protective device removed for servicing the heater must be replaced before operating the heater.
- Adults and children should stay away from high temperature surface to avoid burns or clothing ignition.
- Children should be carefully supervised when they are in the area of the heater.
- Clothing or other flammable materials should not be hung on the heater or placed on or near the heater.
- This appliance shall not be installed or used indoors.
- If there is any evidence of excessive abrasion or wear, Or if the hose assembly is damaged do not operate the appliance until a replacement hose assembly has been obtained from your authorized service provider Ensure that the replacement hose assembly is as specified by the manufacturer.
- Due to radiant heat Certain materials or items may be seriously damaged if stored under or near this appliance while it is in operation.
- Remove any packaging/transit protection prior to operating this appliance.
- **DO NOT INSTALL OR USE THIS APPLIANCE INDOORS**
- **DO NOT MODIFY THIS APPLIANCE**
- **DO NOT USE AN ADAPTOR AT THE CYLINDER CONNECTION**



# HEATER STAND AND LOCATION

- The heater is for outdoor use only. Always ensure that adequate fresh air ventilation is provided.
- Always maintain proper clearance to combustible materials, i.e. top 460mm and sides 610mm minimum.
- **Heater must be placed on level firm ground.**
- Never operate heater in an explosive atmosphere like in areas where petrol or other flammable liquids or vapors are stored.
- This appliance shall only be used in an above ground open-air situation with natural ventilation, without stagnant areas, where gas leakage and products of combustion are rapidly dispersed by wind and natural convection.
- This appliance shall be used only in an outdoor area and shall not be used in a building, garage or any other enclosed area unless the enclosure meets the requirements outlined in this instruction manual.
- **Any enclosure in which the appliance is used shall comply with one of the following:**

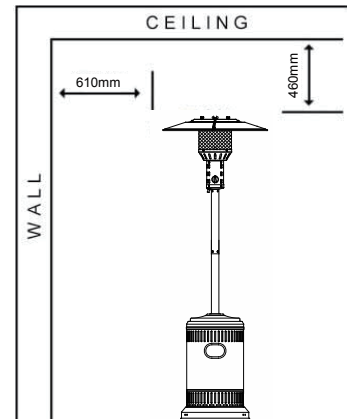
**An enclosure with walls on all sides, but at least one permanent opening at ground level and no overhead cover.**

**Within a partial enclosure that includes an overhead cover and no more than two walls.**

**Within a partial enclosure that includes an overhead cover and more than two walls, the following shall apply:**

- at least 25% of the total wall area is completely open, and
- at least 30% of the remaining wall area is open and unrestricted.

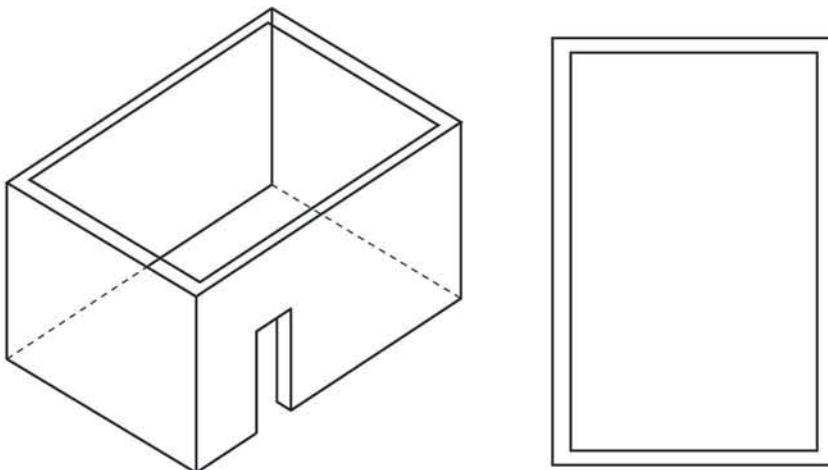
**In the case of balconies, at least 20% of the total wall area shall be and remain open and unrestricted.**

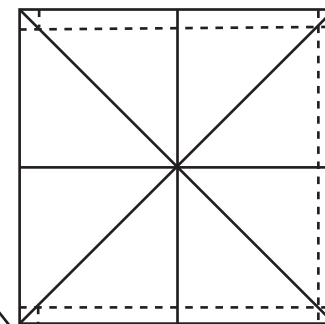
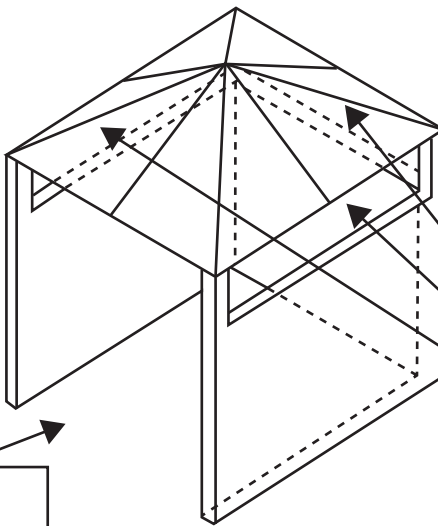
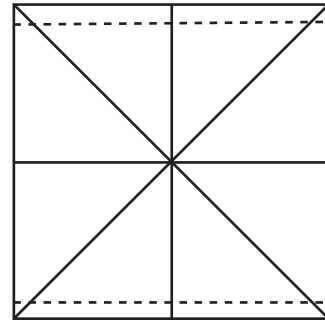
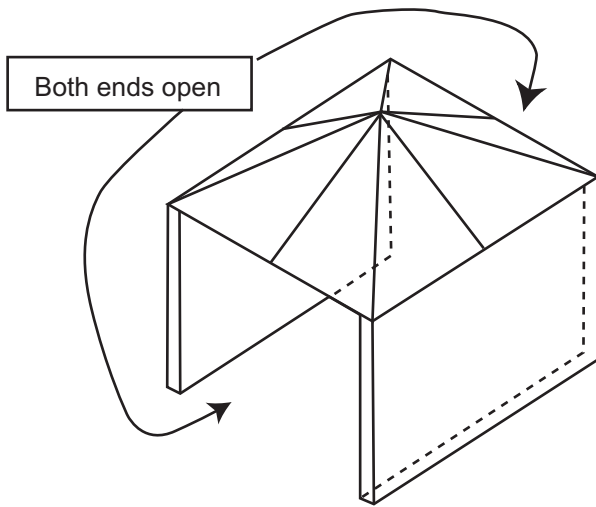
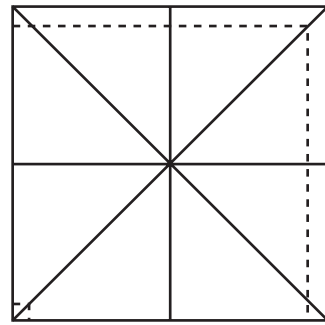
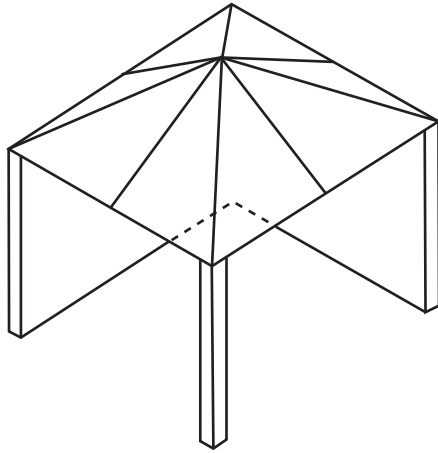


## DIAGRAMMATICAL REPRESENTATIONS OF OUTDOOR AREAS

(Informative)

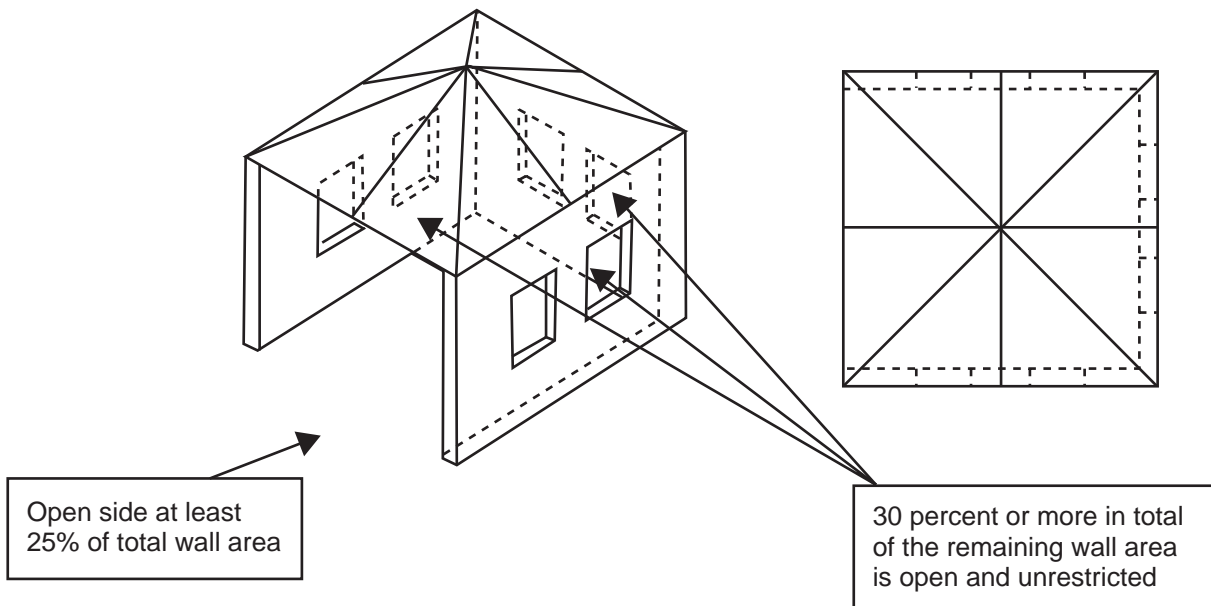
The following figures are diagrammatical representations of outdoor areas as described above. Rectangular areas have been used in these figures - the same principles apply to any other shaped area.





Open side at least  
25% of total wall area

30 percent or more in total  
of the remaining wall area  
is open and unrestricted



## GAS REQUIREMENTS

- Refer to the gas type label for confirmation of the gas type to be used with your appliance.
- Use only the pressure regulator and hose assembly supplied with this appliance.
- A dented, rusted or damaged gas cylinder may be hazardous and should be checked by your cylinder supplier. Never use a gas cylinder with a damaged valve connection.
- Never connect an unregulated gas cylinder to the heater.
- This appliance is NOT suitable for use with a fixed gas supply system. Use ONLY a 9kg gas cylinder.

## LEAKAGE TEST

- Gas connections on the heater are leak tested at the factory prior to shipment. A complete gas tightness check must be performed due to possible mishandling in shipment or excessive pressure being applied to the heater.
- Make a soap solution of one part liquid detergent and one part water.
- The soap solution can be applied with a spray bottle, brush or rag. Soap bubbles will appear in case of a leak.
- The heater must be checked with a full cylinder.
- Make sure the safety control valve is in the OFF position.
- Apply the soap solution to the gas connections.
- Turn the gas supply ON.
- In case of a leak, turn off the gas supply. Tighten any leaking fittings, then turn the gas supply on and re-check.
- Do not operate the appliance until all gas leaks have been rectified.
- Never leak test while smoking.

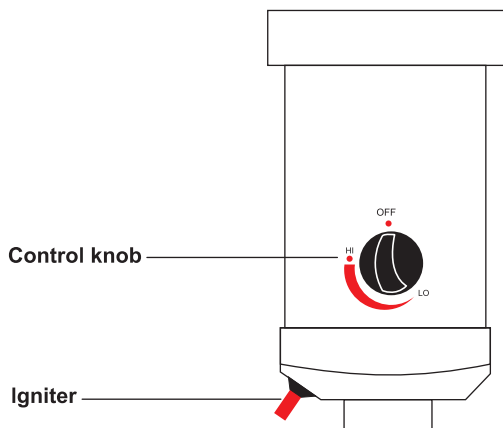
# OPERATION AND STORAGE

## TO TURN ON THE HEATER

1. Turn on the valve on the gas cylinder.
2. Press and turn the control knob to HI position (anti-clockwise 90°).
3. Press and hold down the control knob, at the same time repeatedly pressing the igniter button until the burner is ignited. Release the control knob 10 seconds after the ignition, at which time the burner should remain alight.
4. Turn the control knob to LO and leave it there for 5 minutes or more before turning the knob to the desired temperature setting.
5. If the burner fails to light or goes out turn the control knob to the "OFF" position. Wait at least 5 minutes to allow any gas to dissipate, and repeat steps 2 - 4.
6. If still unable to light the burner turn the control knob to the "OFF" position, turn off the valve on the gas cylinder, disconnect and remove the gas cylinder and return the heater to the place of purchase for a replacement.

## TO TURN OFF THE HEATER

1. Turn the control knob to HI position.
2. Press and turn the control knob to OFF position.
3. Turn off the valve on the gas cylinder.



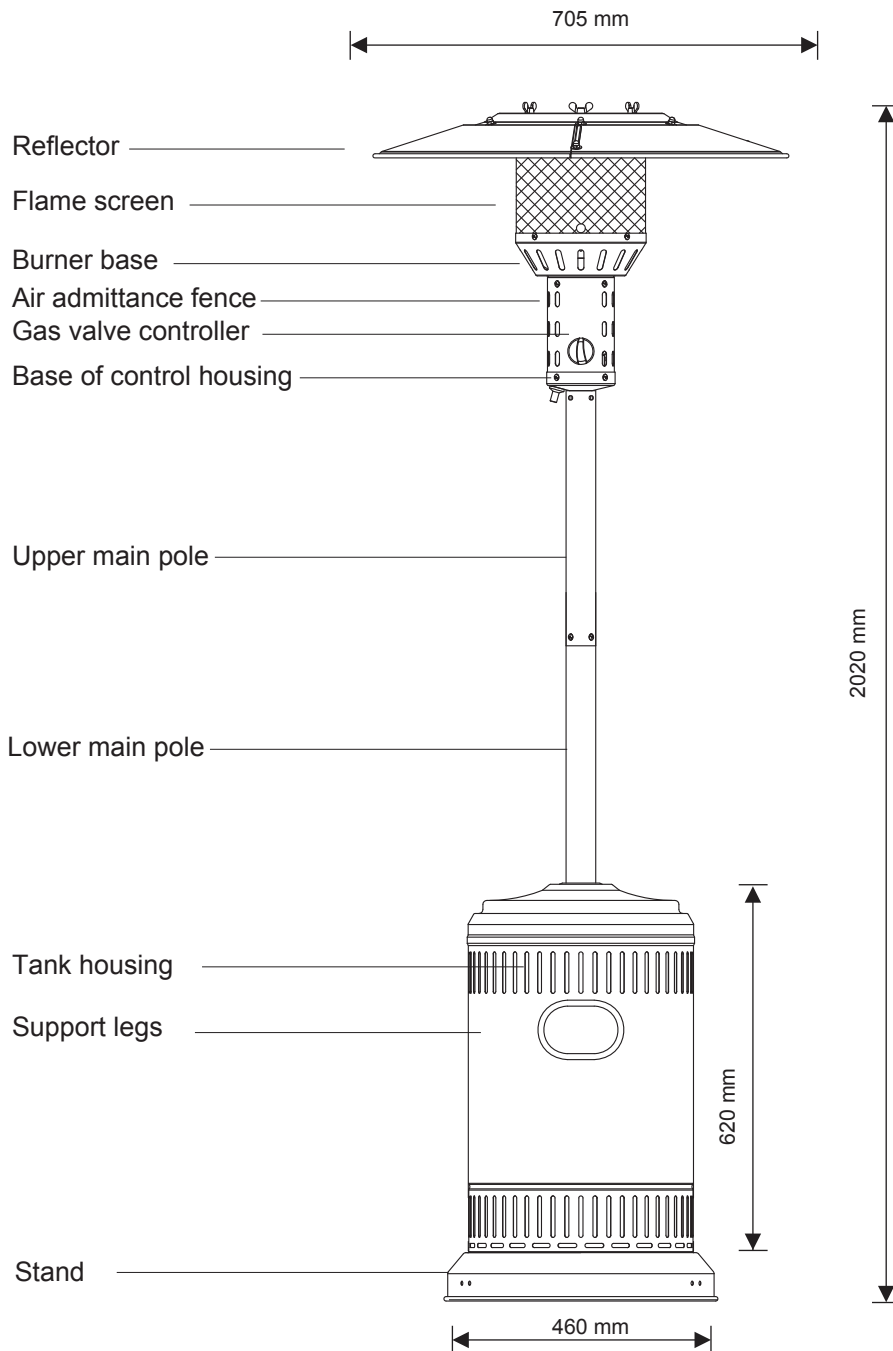
## **Storage**

1. Always close the gas valve of the gas cylinder after use or in case of a disturbance.
2. Disconnect the regulator from the gas cylinder valve.
3. Check the tightness of the gas valve for damage. If you suspect damage, have it changed by your gas dealer.
4. Never store liquid gas cylinder in a sub-terrain, or at places without adequate air ventilation.
5. There is no limitation on the storage of appliances indoors provided that the cylinder is removed from the appliance; and
6. Storage of an appliance indoors with the cylinder attached is only permitted if the size of the cylinder complies with AS/NZS 1596; otherwise cylinders must be stored outdoors in a well-ventilated area and out of reach of children.

# CLEANING AND CARE

- Wipe off powder coated surfaces with soft, moist rag. Do not clean heater with cleaners that are combustible or corrosive.
- Remove debris from the burner to keep it clean and safe for use.
- Cover the burner unit with the optional protective cover when the heater is not in use.

# PARTS AND SPECIFICATIONS



### A. Construction and characteristics

- Transportable terrace/garden heater with tank housing
- Casing in steel with powder-coating or stainless steel
- Gas hose connections with screw caps
- Stainless steel flame screen
- Heat emission from reflector

### B. Specifications

- For outdoor use only
- Factory set for use with U-LPG  
(Refer to the Data label for confirmation of the correct gas type for your appliance)
- JDS06 nominal gas consumption at high setting: U-LPG = 31.0 MJ/H
- Consumption: 380 g/hr – 800 g/hr
- Weight: Metal w/ powder coating 13.2 kgs.
- Height: 202 cm including stand
- With AGA certificates

### C. Table of openings

Model	Gas inlet pressure	Main opening
JDS06 - U-LPG	2.75KPa	1.65 mm

## ASSEMBLY PARTS

### Tools needed:

- Open end wrench 10 & 13 mm
- Adjustable opening wrench (2) 20 cm long
- Slip joint pliers 23 cm long
- Philips screwdriver w/ medium blade
- Spray bottle of soap solution for leakage test

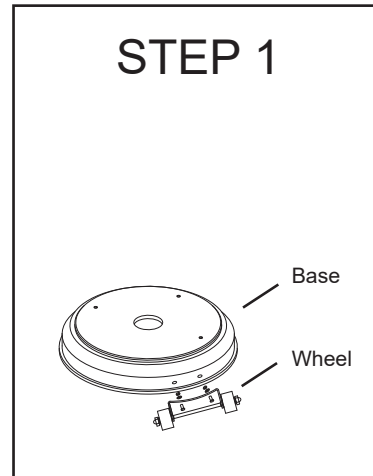
### Parts supplied:

- Stand with cylinder tank housing.
- Assembly main pole with 3 pcs support legs
- Reflector 705 mm with 9 pcs Ø6 mm washers, 3 pcs M6 wing nut and 3 pcs M6 burner/reflector support bolt
- 4 pcs bolts M6 x 30 mm for assembly main pole and burner
- 6 pcs bolts & nuts M6 x 35 mm for main pole and support legs
- 3 pcs bolts M8 x 16 mm for support legs and stand
- 4 pcs 3/16" screw for 2pcs main pole

## ASSEMBLY PROCEDURES

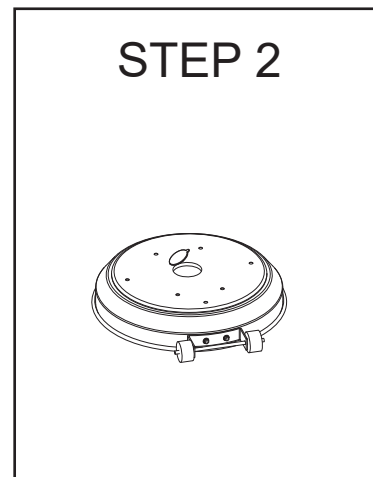
### STEP 1

Use 2pcs M8X15mm bolts and M8 nuts to connect the bracket with wheels to the base. Then fasten them.



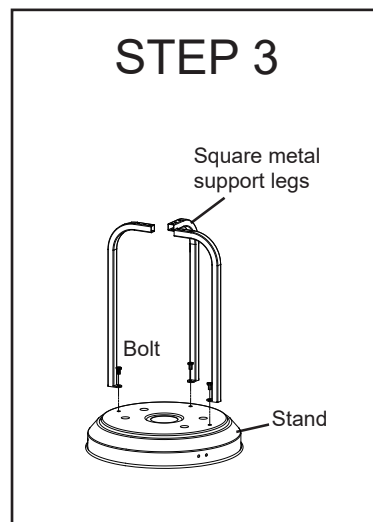
### STEP 2

- 2-1. Remove white cap from the base by pulling on the tab of the cap.
- 2-2. FILL WITH FINE GRADE SAND/SOIL AND WATER. AFTER FULL WITH SAND/SOIL AND WATER - TOP UP WITH WATER.  
(This sand/soil and water can be purchased from most hardware stores)
- 2-3. Replace white cap and ensure it is secure.



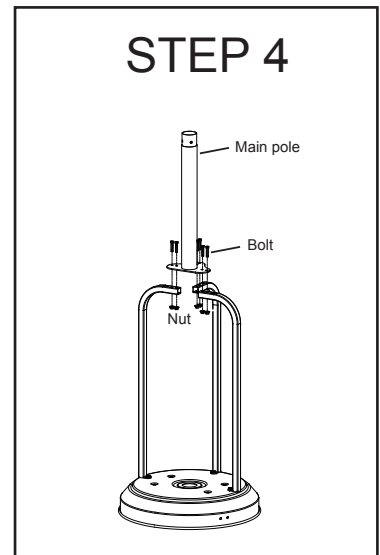
### STEP 3

- 3-1. Put the 3 pcs support legs on each position on the base as shown in the picture.
- 3-2. Use 3 pcs M8 x 16 mm bolts to join the support legs and stand.



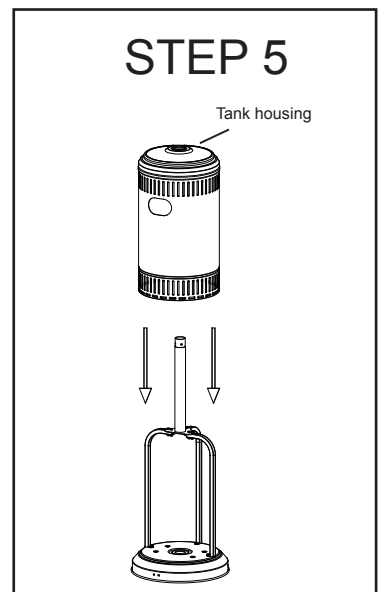
#### STEP 4

- 4-1. Assemble the bottom section of the main pole on top of 3pcs support legs.
- 4-2. Use 6 pcs M6 x 30 mm bolts and nuts to connect the main pole to the 3 pcs support legs .Tighten the bolts and nuts.



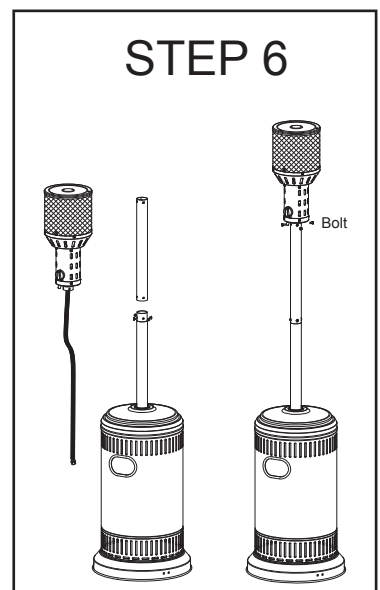
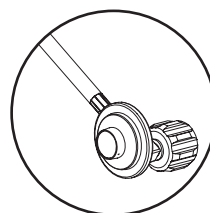
#### STEP 5

Place the tank housing on the stand. If your tank housing has a protective plastic coating, please remove before operating the heater.



#### STEP 6

- 6-1. Attach the top section of the main pole with 4pcs 3/16" screws.
- 6-2. Take the burner head with hose already attached and feed the hose down into the main pole.
- 6-3. Fix the completed burner unit to the main pole by 4pcs M6x10mm bolts; ensure "Heater Operation Label" faces the same way as the gas controls.
- 6-4. Attach the supplied regulator to the hose end and tighten the connection with 2 spanners.



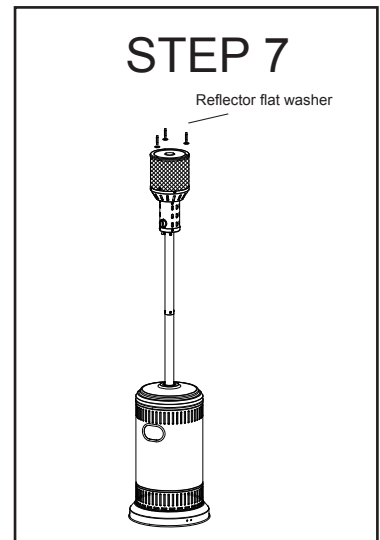


### STEP 7

7-1. Check whether the connection of vertical post and burner are assembled according to instructions, and all bolts and nuts are tightened.

7-2. Screw 3 reflector spacers on to burner.

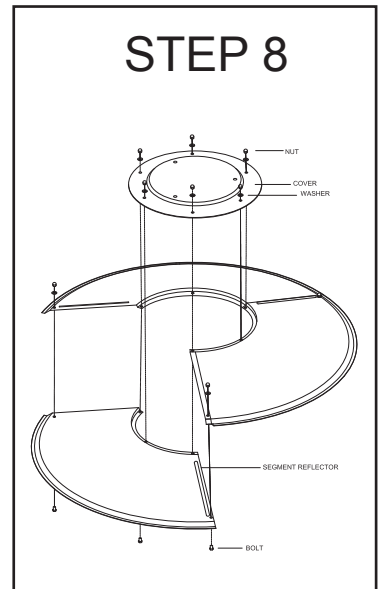
7-3. Put washer Ø6 mm on each reflector spacer.



### STEP 8

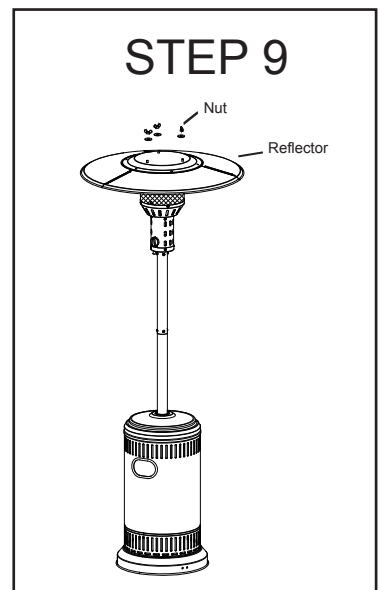
Assemble the 4 piece reflector according to the following sketch.

If your reflector has a protective plastic coating, please remove before operating the heater.



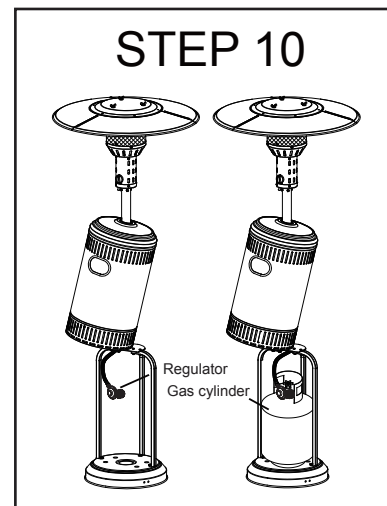
### STEP 9

Fasten the reflector with 3 pcs washers and 3 pcs M6 mm wing nuts.



**STEP 10**

- 10-1. Bring up the tank housing and rest it on the post plate.
- 10-2. Connect the regulator to the gas cylinder.  
Tighten this connection then check for leaks thoroughly.
- 10-3. Put gas cylinder on the stand.



## Trouble Shooting

<b>Problem</b>	<b>Possible cause</b>	<b>What you can do</b> (if these do not work, contact an authorised technician)	<b>What ONLY an</b> authorised service technician can do
● Burner will not light	Gas valve may be OFF Tank fuel empty Opening blocked Loose connections Low gas pressure Thermocouple bad Not in correct location	Turn the gas valve ON Check all fittings Replace cylinder with a new cylinder	Refill gas cylinder Remove and clean Replace thermocouple
● Burner will not stay on	Loose connections Thermocouple bad Gas leak in line Lack of fuel pressure Tank near empty	Tighten connections Check connections	Clean dirty area Replace thermocouple Refill gas cylinder
● Burner flame is low	Supply hose is bent or twisted	Straighten hose and perform leak test on hose	
● Emitter glows uneven	Low gas pressure Base is not on a level surface	Replace cylinder with a new cylinder Place heater on a level surface	
● Thick black smoke	Blockage in burner	Turnoff the heater and let it cool.	Remove blockage and clear burner inside and outside
● Carbon build-up	Dirt or film on reflector and flame screen	Clean reflector and flame screen	

## **WARRANTY CONDITIONS**

**Any claim under this warranty must be made within [ 12 ] of the date of purchase of the product. To make a claim under the warranty, take the product (with proof of purchase) to any Bunnings store (see [www.bunnings.com.au](http://www.bunnings.com.au) for store locations)**

**Bunnings Group Ltd bears reasonable, direct, expenses of claiming under the warranty. You may submit details and proof to our store for consideration.**

**The warranty covers manufacturer defects in materials, workmanship and finish under normal use.**

**This warranty is provided in addition to other rights and remedies you may have under law: our goods come with guarantees which cannot be excluded under the Australian Consumer Law. You are entitled to replacement or refund for a major failure and to compensation for other reasonably foreseeable loss or damage. You are also entitled to have the goods repaired or replaced if the goods fail to be of acceptable quality and the failure does not amount to a major failure.**

**The warranty excludes damage resulting from product misuse or product neglect. The warranty covers domestic use only and does not apply to commercial applications.**

**This warranty is given by Bunnings Group Limited ABN 26 008 672 179, 16-18 Cato Street, Hawthorn East, Victoria 3123, Contact Customer Support 1800 797 586 or e-mail: [customersupport@bunnings.com.au](mailto:customersupport@bunnings.com.au)**