

MIMOSA[®]



Instruction Manual for Assembly and Usage

Portable Folding Fire Pit

Important : Please retain these instructions for future reference

Item No. 0404995

Contents

Thank you	Page 1
Safety Warnings	Page 2
Parts List	Page 3
Assembly Instructions	Page 4
Operating Instructions	Page 7
Product Warranty	Page 10

Thank you from Mimosa

Congratulations on your purchase and
thank you for making Mimosa a part of your outdoor living space.

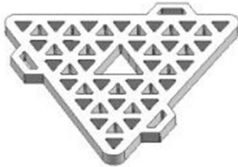
Safety Warnings

- Outdoor use only. DO NOT use the fire pit indoors.
- DO NOT position this product on a timber deck or any combustible surfaces.
- DO NOT leave the fire pit unattended during use.
- Remove bark, dried leaves and twigs well clear of this product prior to use.
- Carbon Monoxide Warning. Carbon monoxide is produced whenever solid fuels are burnt. To avoid poisoning or death, never use this product indoors, and never move this product indoors when it contains hot coals.
- When in use, all surfaces of the fire pit will get hot. Do not touch the fire pit during use.
- Do NOT allow children or pets near the fire pit during use.
- Ensure your fire pit is positioned on a level surface and positioned at least 2 metres distance from any side or overhead combustible materials. E.g. house, fence, deck, trees, etc.
- DO NOT overload the fire pit with fuel. It may result in product failure, failure to contain hot coals and property damage.
- DO NOT use highly flammable chemicals such as petrol or spirits to light the fire or relight the fire.
- DO NOT use in windy conditions.
- DO NOT store or use flammables in the vicinity of the fire pit.
- Check your local fire restrictions before using this product.

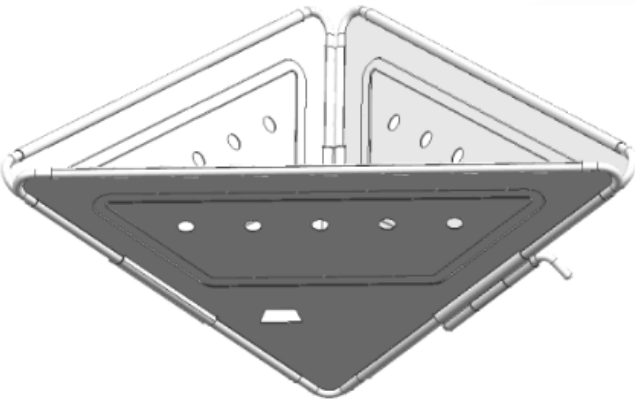
Parts List



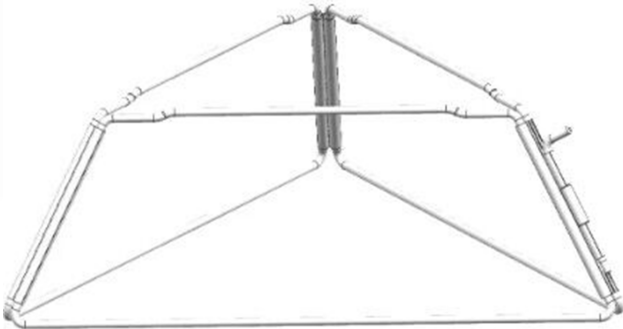
Part A Qty.1
SS304 GRIL ASSEMBLY



Part B Qty.1
CHARCOAL BED



Part C Qty.1
FIRE PIT BODY



Part D Qty.1
BASE FRAME



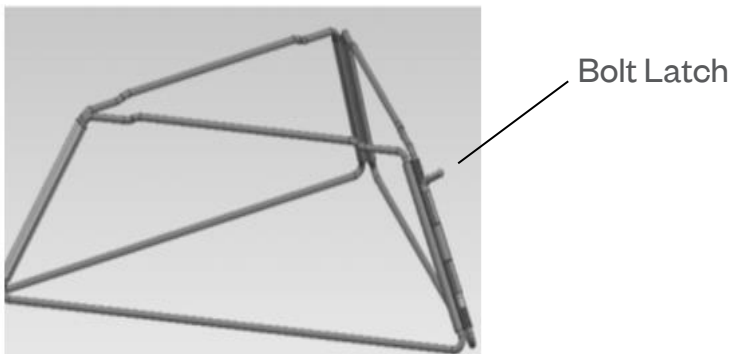
Part E Qty.1
ASH MAT

Assembly Instructions

We recommend wearing gloves during assembly to prevent injuries from sharp edges.

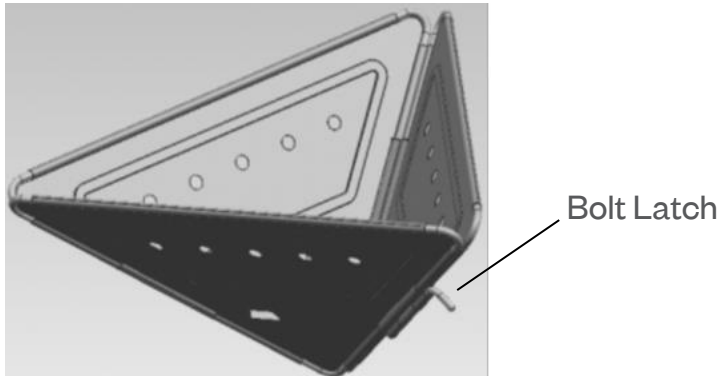
Step 1:

Unfold the base frame and assemble it with the bolt latch.



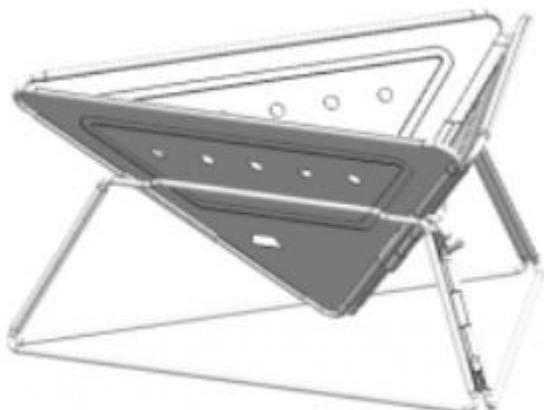
Step 2:

Unfold the fire pit body and assemble it with the bolt latch.



Step 3:

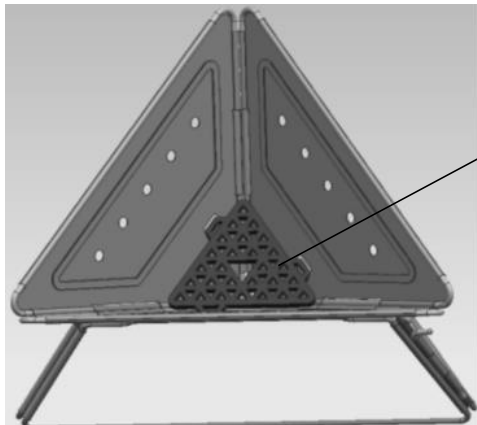
Place the body into the frame



Assembly Instructions

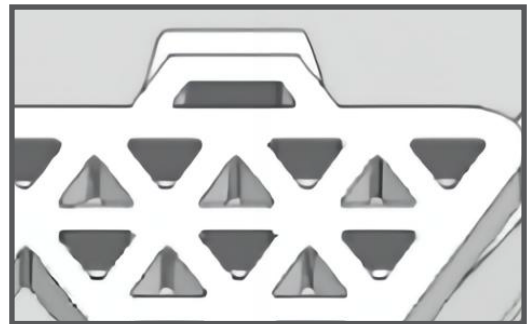
Step 4:

Put the charcoal bed inside the fire pit body and let it sit on the cutout holes to ensure it will not fall into the bottom.



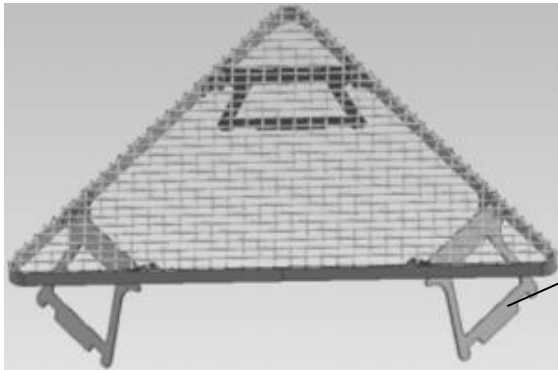
Charcoal Bed

Sitting on the cut hole



Step 5:

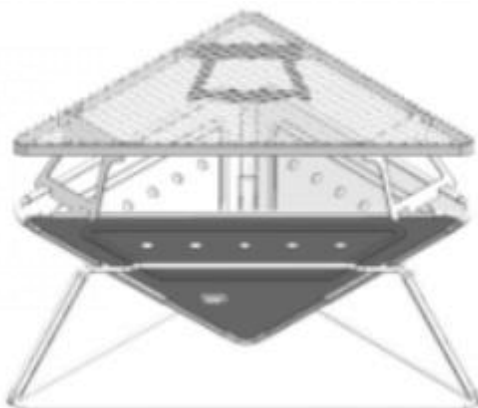
Open the SS304 Grill assembly by unfolding the 3 support legs.



Support Leg

Step 6:

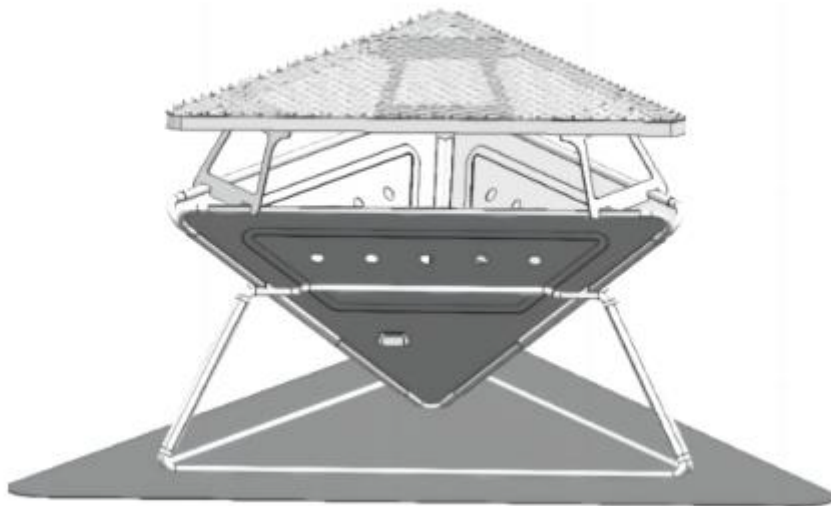
Position the SS304 Grill assembly on the fire pit body as below.



Step 7:
Unfolding the ash mat on a flat surface.

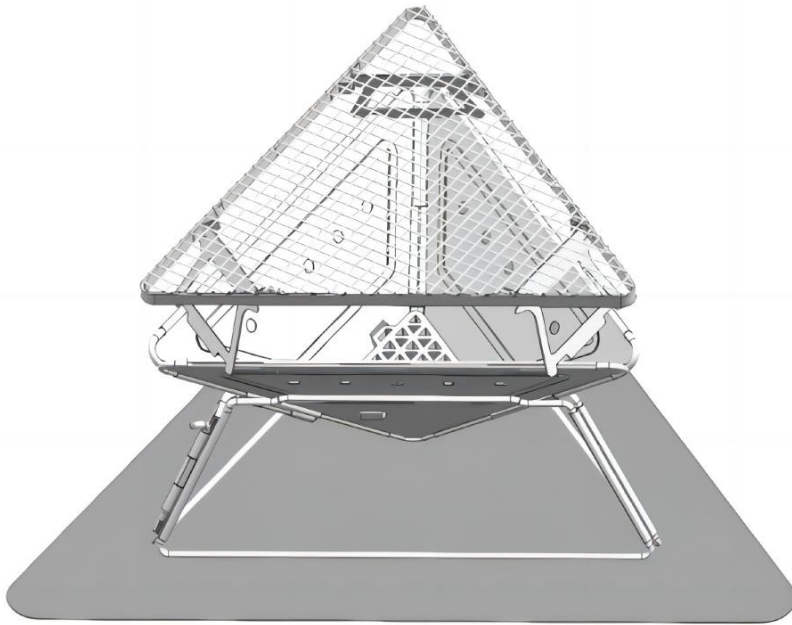


Step 8:
Move the fire pit onto the ash mat.



Assembly Instructions

Fully Assembled



Operating Instructions

Preparation

1. To get the fire started, you will need material that can be readily ignited or kindling and you will need firewood to fuel the fire.
2. Gather these materials before attempting to light the fire so you are prepared.
3. If the available firewood is too large, cut, trim or split the firewood to fit in the fire pit without overhang.
4. Don't overload the fire pit. As a general rule, the maximum fuel load is half the area provided for the fire to burn.
5. Don't arrange the fuel in tight bunches. Allow space between the firewood pieces to ensure good air movement in the fire.

Lighting

1. Place a layer of dry kindling such as sticks or twigs. You can also use firelighters.
2. Place a small amount of firewood directly above the kindling.
3. Use a long match or a gas lighter to light the kindling.

Maintaining the Fire

- Wear oven mitts or protective gloves when tending to the fire.
- After the fire has been established, add more firewood directly on top of the fire as desired but do this gradually to avoid overloading.
- Use a poker to reposition coals and improve airflow as desired.
- Never pour Petrol, Kerosene, Diesel, lighter fluid or alcohol onto the firepit.

Extinguishing

Allow the fire to burn out. Do not douse the fire with water, the sudden temperature change can cause immediate damage to the fire pit.

Operating Instructions

Care and Maintenance

Allow the fire pit to cool before cleaning.

Always empty the residual ash after each use.

To extend the life of your fire pit, protect it from the elements when not in use.

The use of harsh, chemical cleaners or rough scourers can severely damage the external surfaces of your fire pit. Only use soap and water during cleaning and allow the surfaces to dry after cleaning to prevent corrosion.

Do not clean this fire pit with a high pressure washer or steam cleaner.

Product Warranty

Any claim under this warranty must be made within 12 Months of the date of purchase of the product. To make a claim under the warranty, take the product (with proof of purchase) to any Bunnings store (see www.bunnings.com.au or bunnings.co.nz for store locations)

Any claim under this warranty must be made within 12 Months of the date of purchase of the product. To make a claim under the warranty, take the product (with proof of purchase) to any Bunnings store.

See www.bunnings.com.au or bunnings.co.nz for store locations)

Bunnings Group Ltd bears reasonable, direct, expenses of claiming under the warranty. You may submit details and proof to our store for consideration.

The warranty covers manufacturer defects in materials, workmanship and finish under normal use.

This warranty is provided in addition to other rights and remedies you may have under law: our goods come with guarantees which cannot be excluded under the Australian Consumer Law or Consumer Guarantees Act 1993 (NZ). You are entitled to replacement or refund for a major failure and to compensation for other reasonably foreseeable loss or damage. You are also entitled to have the goods repaired or replaced if the goods fail to be of acceptable quality and the failure does not amount to a major failure.

The warranty excludes damage resulting from product misuse or product neglect. The warranty covers domestic use only and does not apply to commercial applications.

This warranty is given by Bunnings Group Limited ABN 26 008 672 179,
Botanica 3 Level 2 East Tower 570 Swan Street, Burnley, VIC 312,
e-mail: CustomerSupport@bunnings.com.au
Or call our Customer Support Team – Ph.1800 797 586

This warranty is given by Bunnings NZ Limited: Postal address: PO Box 14436,
Panmure, Auckland 1741,
e-mail: OnlineEnquiries@bunnings.co.nz
Or call our Customer Support Team – Ph.1800 797 586