

## AGL



GEO Italy S.R.L.

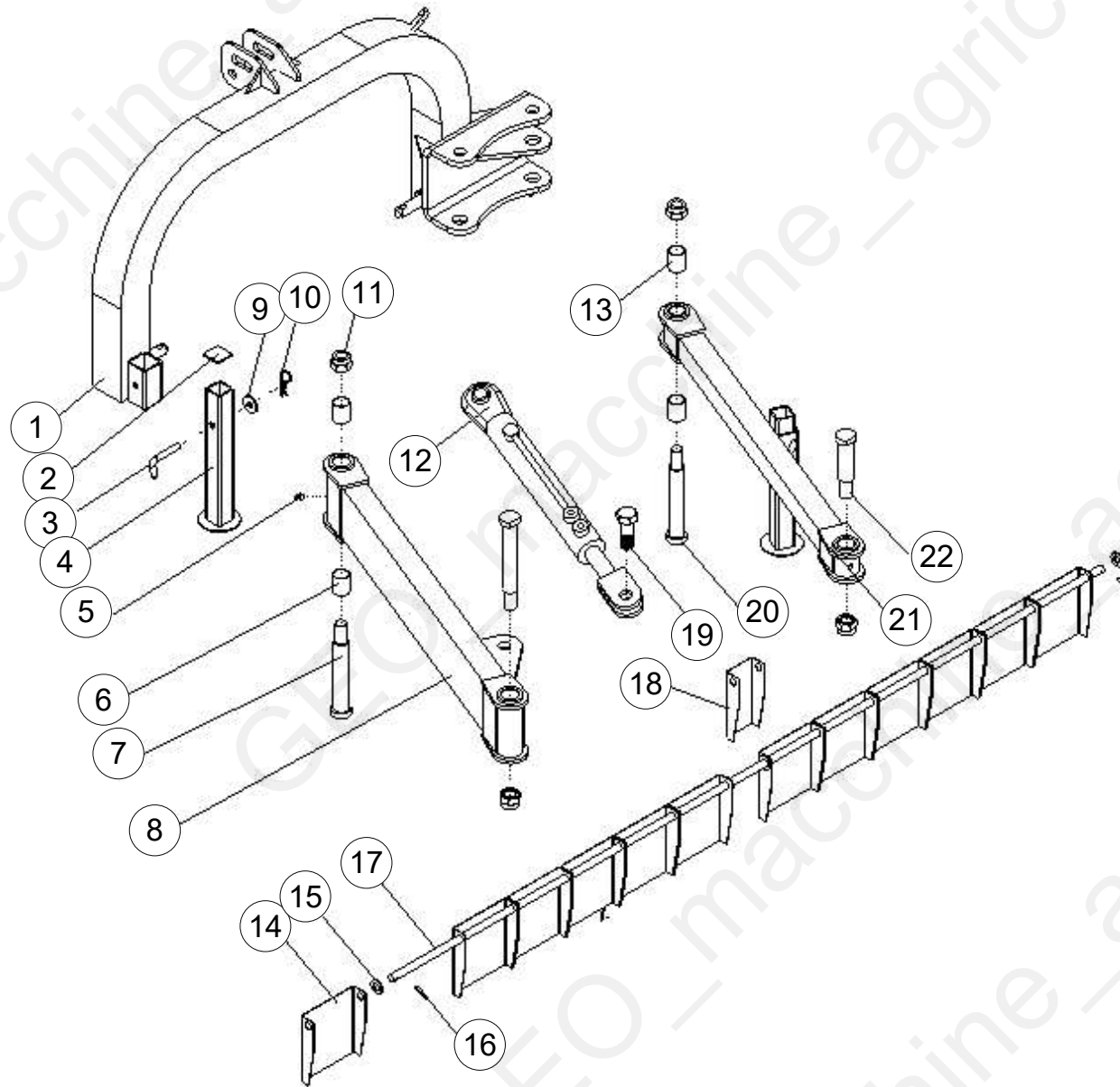
# Table of Contents

Tavola	Page
AGL	3
AGL_2010_2015	15

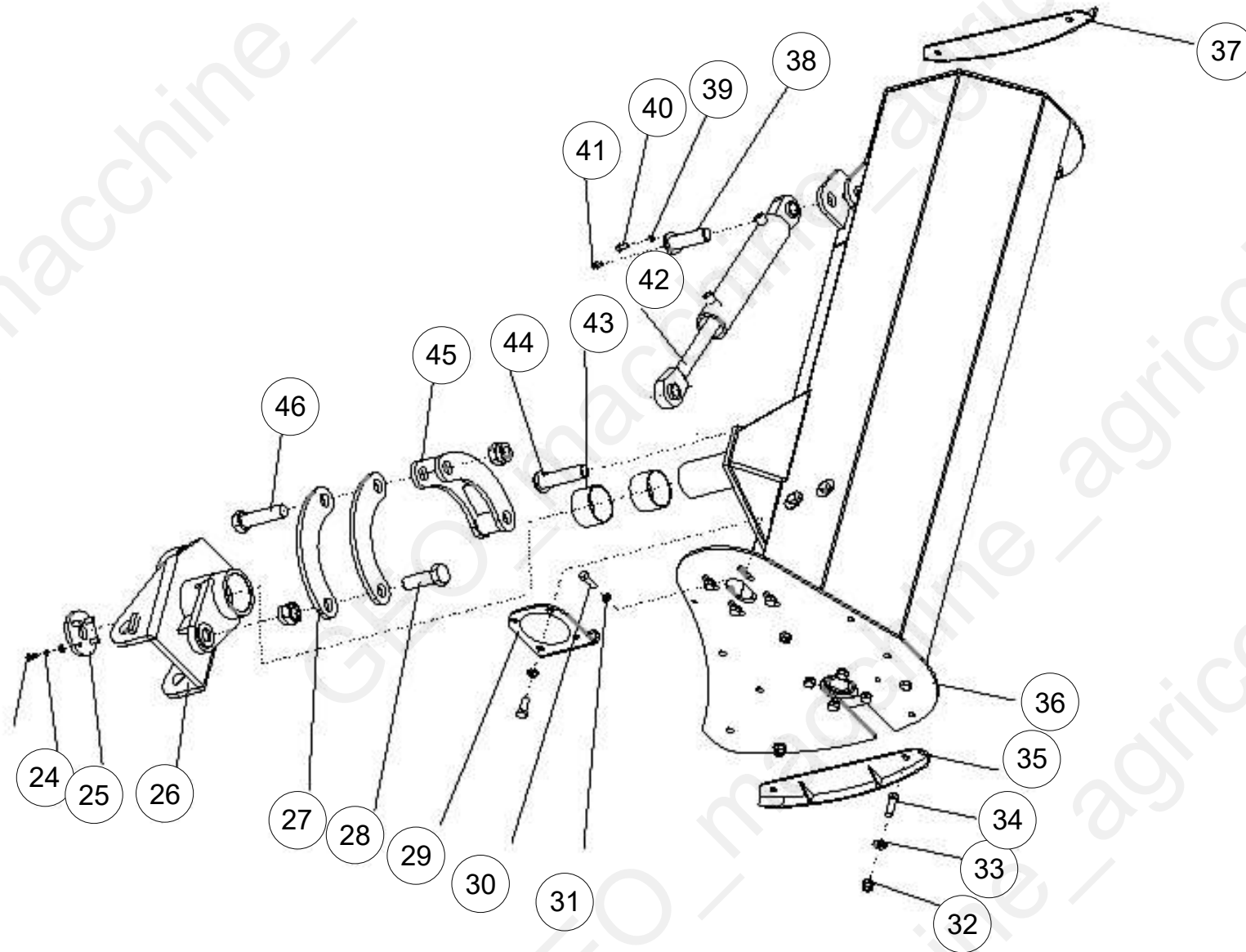
## AGL



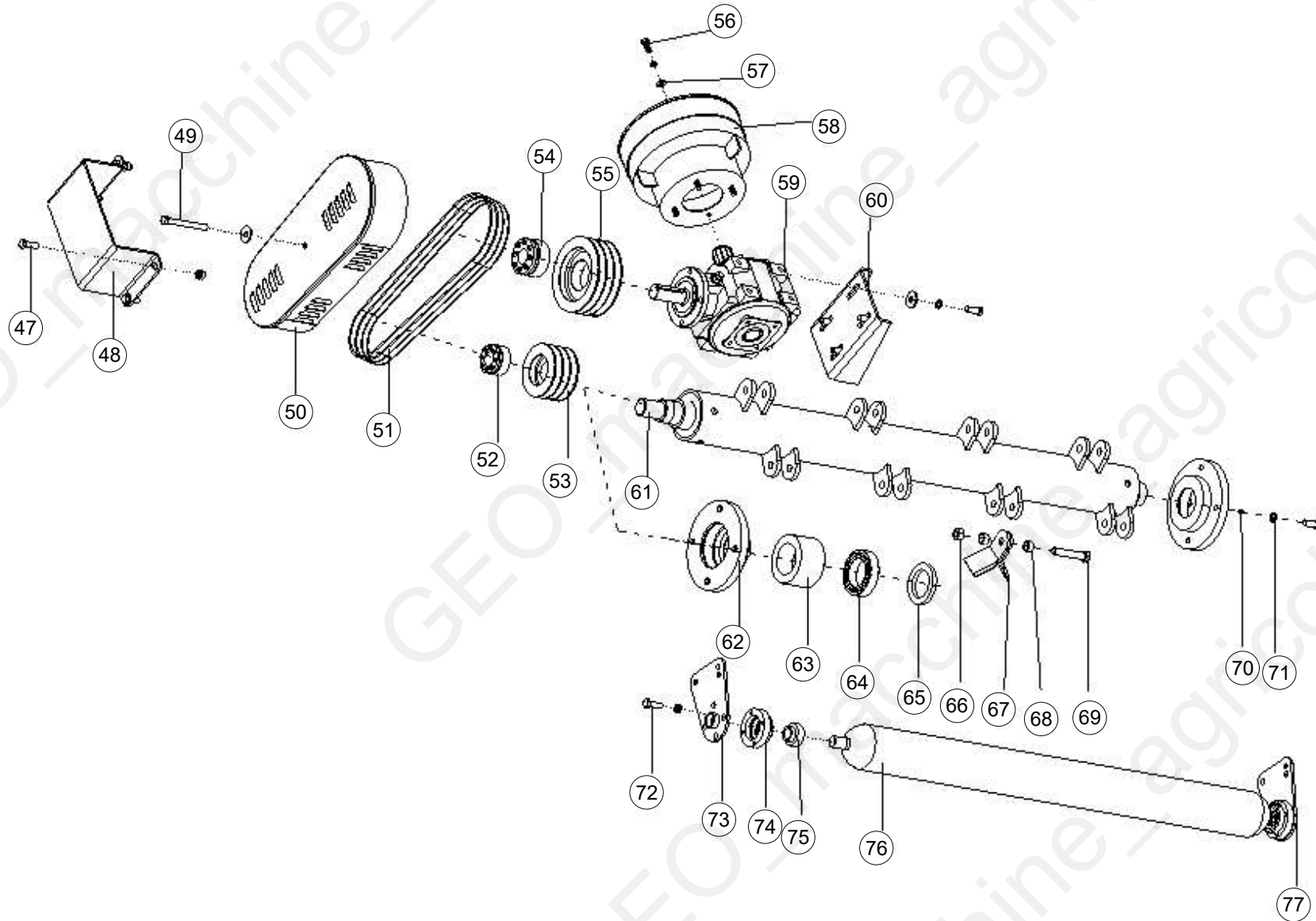
GEO Italy S.R.L.



Pos	Code	Description	NOTE	Q.
1	AGL125.011	Hanging weldment		1
2	AGF140.108	Plastic cover		2
3	1G135.00.107	Plug Pin		2
4	AGF140.011	Supporting frame (S)		2
5	GB/T1152-89	Oil cup		5
6	SF-2/30X34X40	Bushing 30X34X40		4
7	AGL125.105	Pin (L)		2
8	AGL125.019	Front swinging arm		1
9	GB/T96-85-12	Plain washer 12		9
10	EFGC125.110	R Pin 3.2		2
11	GB/T889.1-86-24	Nut M24		7
12	AGL125.018	Parallel movement cylinder		1
13	SF-2/30X34X30	Bushing 30X34X30		4
14	EFGC125.113	Fender		0
15	GB/T97.1-86/10	Plain washe10		6
16	GB/T879-86	Elastic cylindrical pin		2
17	EFGC125.104	Shaft for fender 125		1
17	EFGC145.104	Shaft for fender 145		1
17	EFGC165.104	Shaft for fender 165		1
18	EFGC125.114	Fender Narrow		1
19	GB/T5783-86-M24X65	Bolt M24X65		1
20	AGL125.104	Pin (L)		1
21	AGL125.017	Rear swinging arm		1
22	AGL125.103	Pin (S)		1



Pos	Code	Description	NOTE	Q.
24	GB/T93-87-10	Spring washer 10		4
25	AGL125.101	Cover		1
26	AGL125.020	Rotating shaft		1
27	AGL125.102	Pull pedal		2
28	GB/T5783-86-M24X70	Bolt M24X70		1
29	AGL125.014	Tension plate welded parts		1
30	GB/T5783-86-M12X45	Bolt M12X45		2
31	GB/T6172-86	Nut M12		2
32	GB/T889.1-86-12	Nut M12		10
33	GB/T97.1-86/12	Plain washe12		10
34	GB5783-86/M12x30	Bolt M12x30		22
35	AGL125.012	Base plate (L)		1
36	AGL125.1013	The cover weldment AGL125		1
36	AGL145.013	The cover weldment AGL145		1
36	AGL165.013	The cover weldment AGL165		1
37	AGL125.022	Base plate (R)		1
38	SL204.01.102	Pin (L)		1
39	GB/T93-87-8	Spring washer 8		14
40	GB/T5783-86-M8X16	Bolt M8X16		2
41	GB/T1152-89	Oil cup		4
42	AGL125.016	Side sway cylinder		1
43	SF-2/.65X70X40	Bushing 65X70X40		2
44	SL204.01.103	Pin		1
45	AGL125.021	The push plate		1
46	GB/T5783-86-M24X90	Bolt M24X90		1





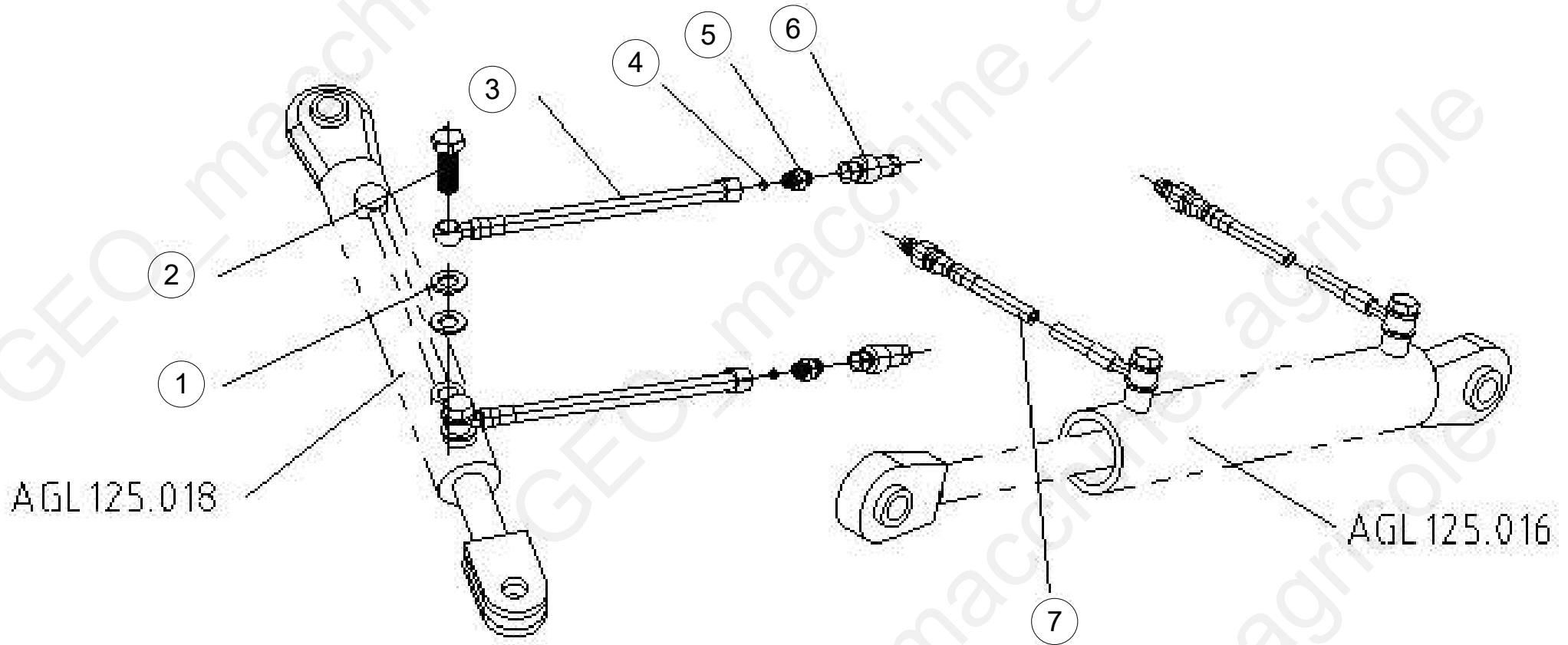
Pos	Code	Description	NOTE	Q.
47	GB5783-86/M12x35	Bolt M12×35		4
48	AGL125.1106	Belt pulley Cover		1
49	GB/T5782-86-M12X110	Bolt M12X110		1
50	GEO.500.10	GEO BELT COVER 500H 10cm		1
51	GB/1154-17.39	BELT SP B 39 (991Li)		3
52	JB/T7934Z3/35X60	Swellable sleeve 35X60		1
53	EFG120.105.3	small belt pulley 120mm 3 grooves		1
53	EFG120.105.4	small belt pulley 120mm 4 grooves		1
54	JB/T7934Z3/33X60	Swellable sleeve 33X60		1
55	EFG120.106.3	Big belt pulley 170mm 3 grooves		1
55	EFG120.106.4	Big belt pulley 170mm 4 grooves		1
56	GB/T5783-86-M8X20	Bolt M8X20		4
57	GB/T96-85-8	Plain washer 8		4
58	FM150.120	Guard shade		1
59	XH50.300Z.02W	Gearbox assembly		1
60	AGL125.013	Gearbox support weldment		1
61	AGL125.025	Blade axle weldment AGL 125		1
61	AGL145.025	Blade axle weldment AGL 145		1
61	AGL165.025	Blade axle weldment AGL 165		1
62	EFGC125.115	Flange Bearing UC 207		2
63	RK120.109.3	Spacer lower for Pulley 3 grooves		1
63	RK120.109.4	Spacer lower for Pulley 4 grooves		1
64	UC207	Bearing UC207		2
65	GB13871-94-55x80x8	Oil seal FB55x80x8		1
66	GB/T889.1-86-12x1.5	Nut M12x1.5		20

Machine: AGL

Assembly: AGL\_parte 3



Pos	Code	Description	NOTE	Q.
67	EF.100.00.102	Blade Ø 12		40
67	EF.100.00.107	Hammer Ø12		1
68	EF.100.00.103	Spacer 12		40
69	GB/T5785_M12X1.5x80	Bolt M12X1.5x80		20
70	GB/T1152-89	Oil cup		4
71	GB/T93-87-12	Spring washer 12		16
72	GB5783-86/M8x25	Bolt M8x25		8
73	AGL125.023	Supporting for roller (L)		1
74	EFGC125.107	Bearing seat UCF205		2
75	UC205	Bearing UC205		2
76	EFGC125.017	Roller weldment 125		1
76	EFGC145.017	Roller weldment 145		1
76	EFGC165.017	Roller weldment 165		1
77	AGL125.024	Supporting for roller (R)		1

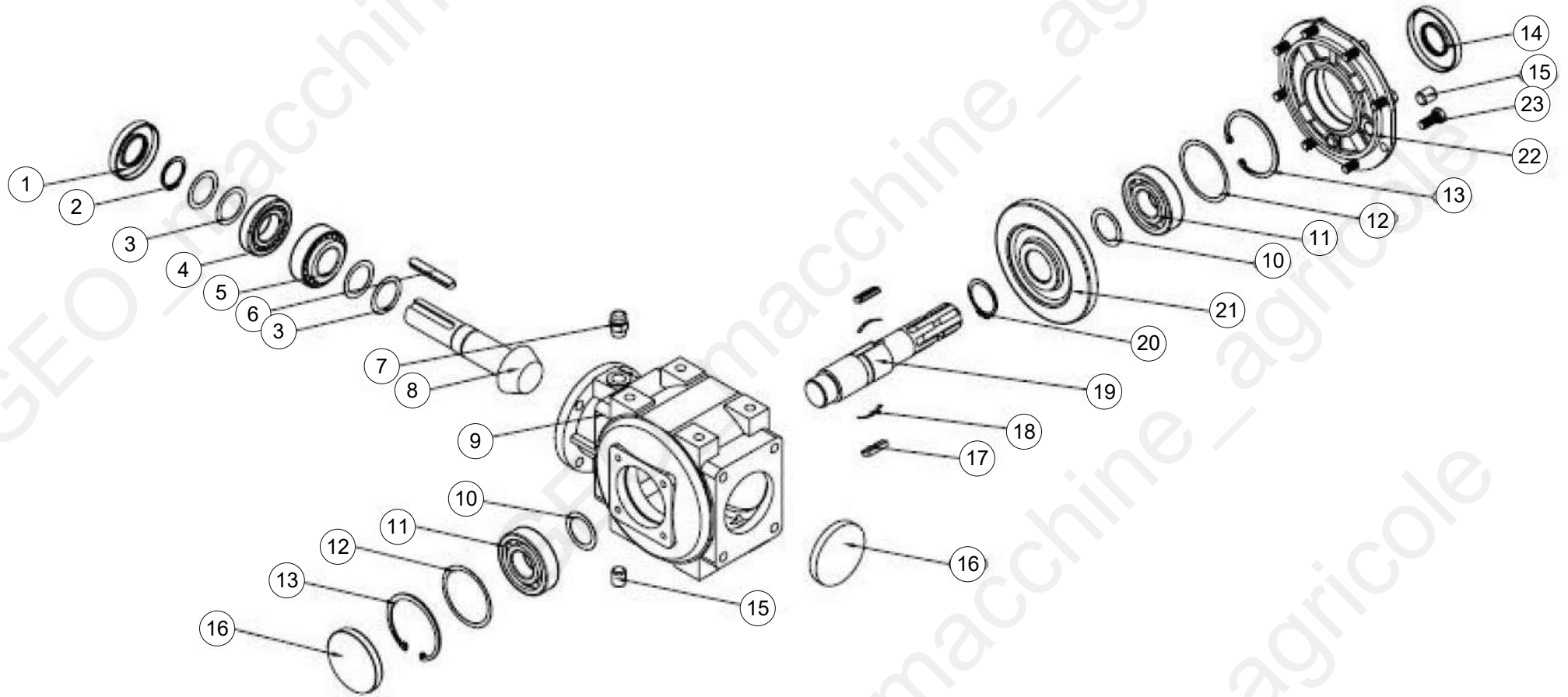


Machine: AGL

Assembly: AGL\_parte 4



Pos	Code	Description	NOTE	Q.
1	JB/T1002-19			8
2	AGL125.109	Bolt M14		4
3	AGL125.026	Oil pipe		2
4	GB/T3452.1-92			4
5	SBE180.405	Adaptor M16-1/2		4
6	GB/T.8606-88	Quick connector R1/2"		4
7	AGL125.1105	Oil pipe		2

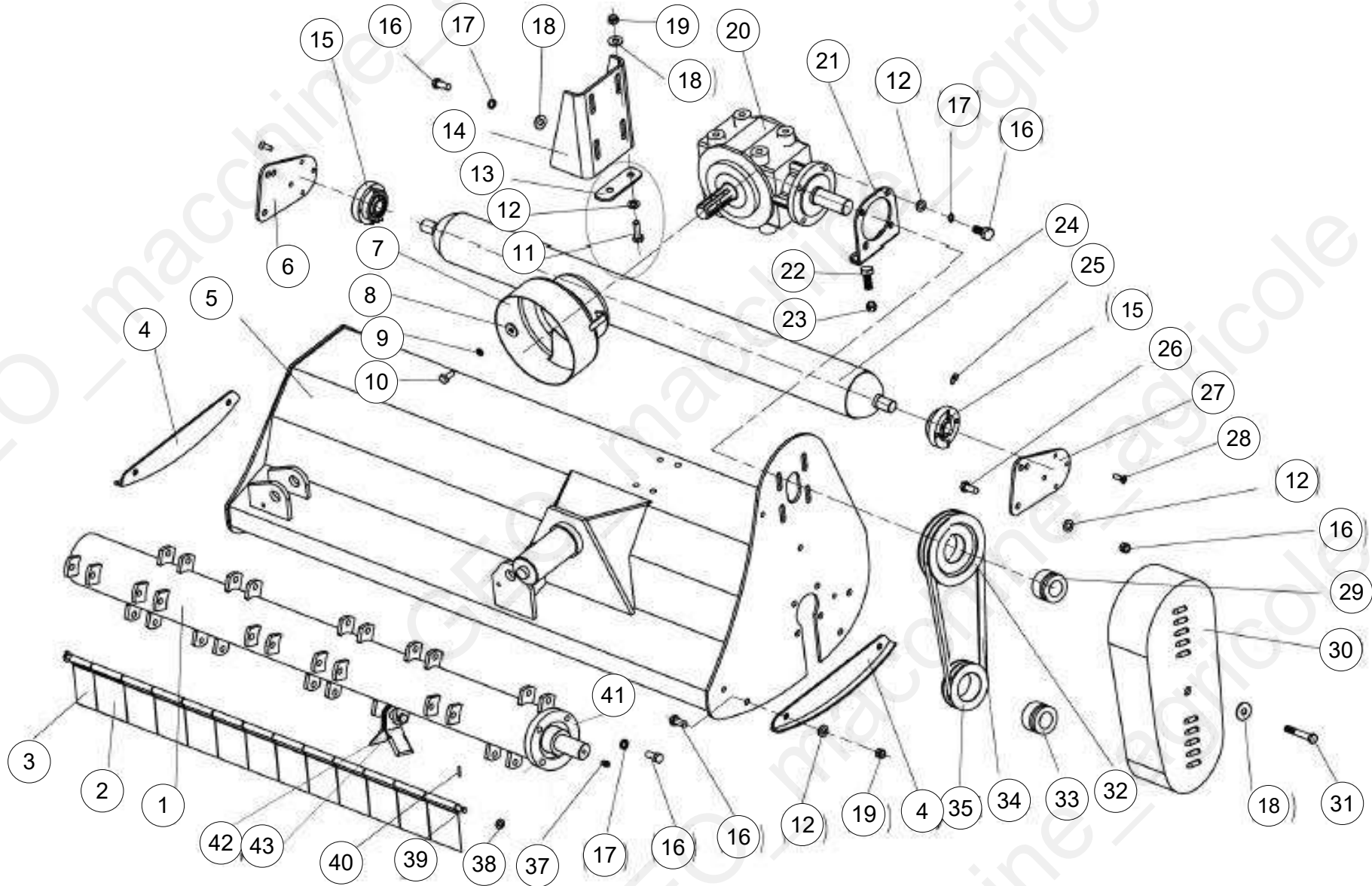


Pos	Code	Description	NOTE	Q.
1	GB9877.1-88/35X72X10	Oil seal 35×72×10		1
2	GB894.1-89/35	Circlips for shaft 35		1
3	TS50.300Z.01.110	Washer (S) 0.7		4
4	GB297-94/30207	Bearing 30207		1
5	GB297-94/32207	Bearing 32207		1
6	GB1096-79/10X65	Key 10X65		1
7	EFGC125.169	Bolt of plug screw 1/2"		1
8	TS50.300Z.01.111	Bevel gear shaft		1
9	TS50.300Z.01.101	Gearbox case		1
10	TS50.300Z.01.105	Washer (S) 1		2
11	GB/T276-94/6307	Bearing 6307		2
12	TS50.300Z.01.104	Washer (B) 0.7		2
13	GB893.1-86/80	Circlip 80		2
14	GB9877.1-88/35X80X10	Oil seal 35×80×10		1
15	ZBT.32001.3-87	Retainer ZG3/8"		1
16	TS50.300Z.01.106	Seal cover		2
17	TS50.300Z.01.108	Key		2
18	TS50.300Z.01.109	Spring		2
19	TS50.300Z.02.103	Pinion shaft		1
20	GB894.1-89/42	Circlips for shaft 42		1
21	TS50.300Z.01.107	Bevel gear		1
22	TS50.300Z.01.102	Gearbox cover		1
23	GB5783-86/M10X25	Bolt M10x25		8

## AGL\_2010\_2015



GEO Italy S.R.L.





Pos	Code	Description	NOTE	Q.
2	EF100.00.122	Fender		12
3	EF100.00.121	Fender Narrow		1
4	EFAGL125.022	Skid Base		1
5	EFAGL125.1013	The cover weldment 125		1
5	EFAGL145.1013	The cover weldment 145		1
5	EFAGL165.1013	The cover weldment 165		1
6	EFAGL125.101			1
7	EF100.00.112	Guard Shade		1
8	GB96-85-10	Plain washer 10		4
9	GB93-87-10	Spring lock washer 10		4
10	GB5783-86/M10X25	Bolt M10x25		4
11	GB5783-86/M12x40	Bolt M12x40		2
12	GB97.1-85/12	Plain washer 12		6
13	EFGC120.101	Splint		1
14	EFAGL125.015			1
15	GEO_UCF205	Bearing with flange UC205		2
16	GB5783-86/M12x30	Bolt M12x30		18
17	GB93-87-12	Spring lock washer 12		16
18	GB96-85-12	Plain washer 12		7
19	GB6184-86/M12	Locking nut M12		6
20	XH50.300Z.02W	Gearbox assembly		1
21	EFAGL125.014	tensioning plate		1
22	GB5783-86/M12x45	Bolt M12X45		2
23	GB6172-86/M12	Nut M12		2
24	EFAG145.012	Roller weldment 145		1

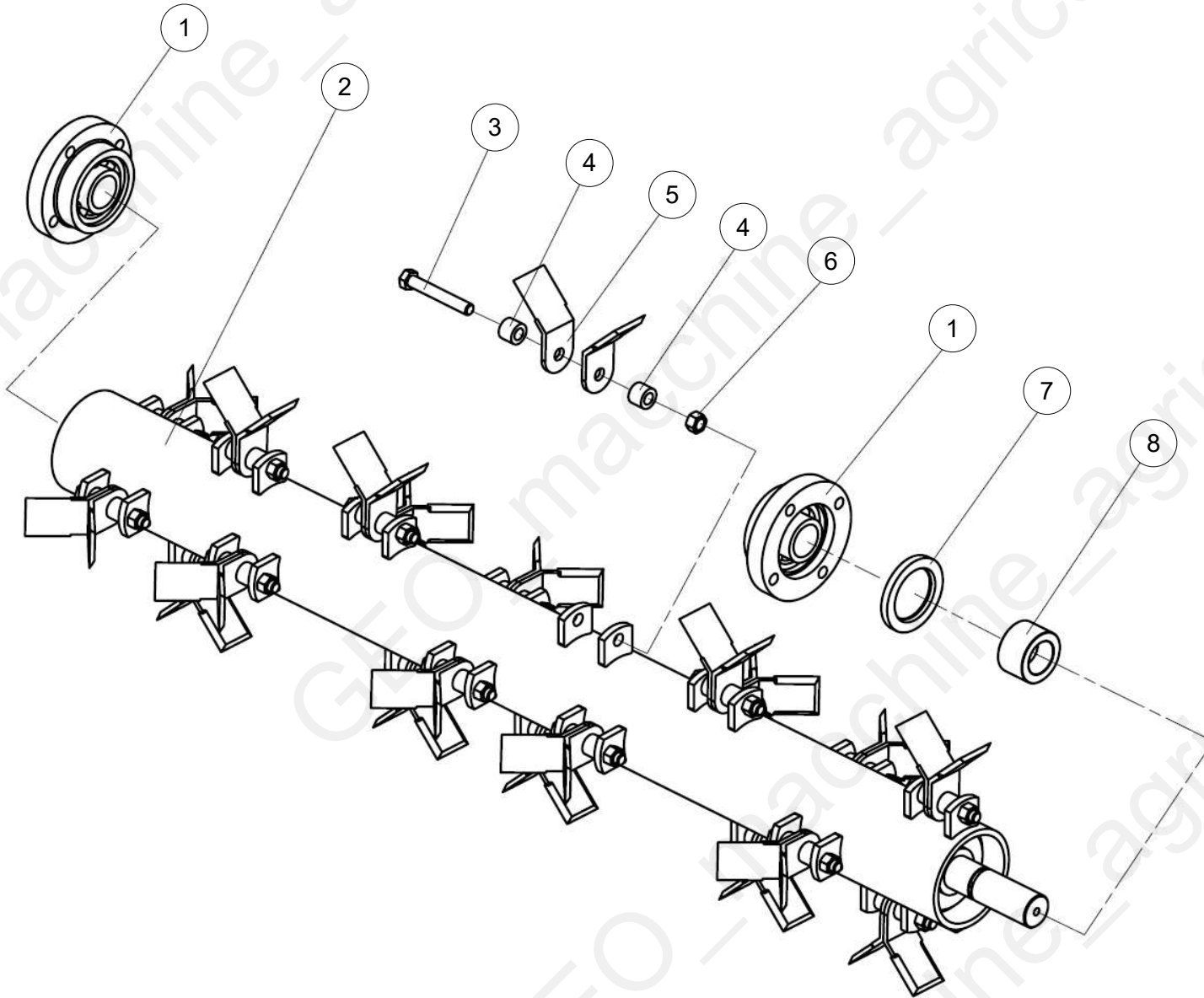
Pos	Code	Description	NOTE	Q.
24	EFAG165.012	Roller weldment 165		1
24	EFAGL125.012	Roller weldment 125		1
25	GB1152-89/M6	Grease nipple M6		2
26	GB5783-86/M12x35	Bolt M12x35		2
27	EFAGL125.101A			1
28	GB2673-86/M8X25	Bolt M8x25		8
29	JB/T7934Z3/33X60	Swellable sleeve 33X60		1
30	EFGC125.012.10	Belt cover OLD 100 mm		1
30	EFGC125.012.12	Belt cover OLD 120 mm		1
31	GB5782-86/M12x110	Bolt M12x110		1
32	EFG120.106.3	Big belt pulley 170mm 3 grooves		1
32	EFG120.106.4	Big belt pulley 170mm 4 grooves		1
33	JB/T7934Z3/35X60	Swellable sleeve 35X60		1
34	GB/1154-17.39	BELT SP B 39 (991Li)		3
35	EFG120.105.3	small belt pulley 120mm 3 grooves		1
35	EFG120.105.4	small belt pulley 120mm 4 grooves		1
37	GB1152-89/M8X1	Grease nipple M8		2
38	GB97.1-85/10	Plain washer 10		18
39	EFAGL125.00.123	Shaft for fender 125		1
39	EFAGL145.00.123	Shaft for fender 145		1
39	EFAGL165.00.123	Shaft for fender 165		1
40	GB879-86/4X22	Elastic cylindrical pin 4x22		2
41	GEO_UCF207	Bearing with flange UC207-Z		1
42	EF.100.00.102	Blade Ø 12		1
42	EF.100.00.107	Hammer Ø12		1

Machine: AGL\_2010\_2015

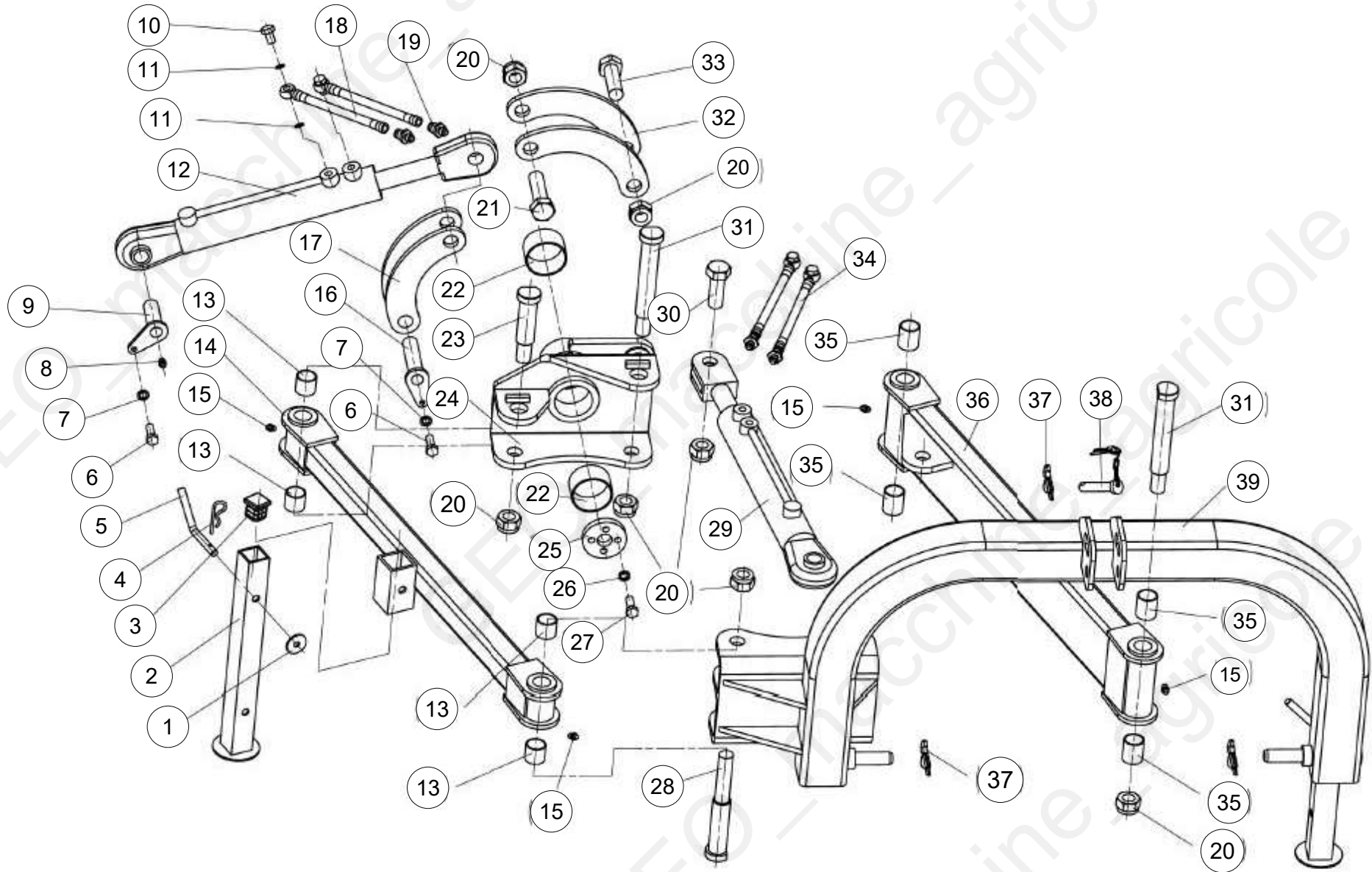
Assembly: AGLold\_parte 1



Pos	Code	Description	NOTE	Q.
43	GB5782-86/M12x80	Bolt M12x80		1



Pos	Code	Description	NOTE	Q.
1	GEO_UCF207	Bearing with flange UC207-Z		2
2	EFAGL.165.013	Blade axle weldment 165		1
2	EFAGL125.013	Blade axle weldment 125		1
2	EFAGL145.013	Blade axle weldment 145		1
3	GB5782-86/M12x80	Bolt M12x80		20
4	EF.100.00.103	Spacer 12		40
5	EF.100.00.102	Blade Ø 12		1
5	EF.100.00.107	Hammer Ø12		21
6	GB6184-86/M12	Locking nut M12		20
7	GB13871-94-55X80X8	Oil seal FB55x80x8		1
8	RK120.109.3	Spacer lower for Pulley 3 grooves		1
8	RK120.109.4	Spacer lower for Pulley 4 grooves		1



Pos	Code	Description	NOTE	Q.
1	GB96-85-12	Plain washer 12		2
2	EFAGF140.012	Supporting frame (L)		2
3	MFP120.00.101	Insert Plastic 40×40×2.6-4 MM		2
4	1G-150-01-142	R Pin		2
5	EF100.00.111	square angle pin		2
6	GB5783-86/M8x16	Bolt M8X16		2
7	GB93-87-8	Spring lock washer 8		2
8	GB1152-89/M6	Grease nipple M6		1
9	EFAGL125.103			1
10	GB3451-83-M14X1.25	Bolt M14X1.5		4
11	GB3451-86/14	Washer 14		8
12	EFAGL125.016	Side sway cylinder		1
13	SF-2/30X34X30	Bushing 30X34X30		4
14	EFAGL125.017	rear swing arm		1
15	GB1152-89/M10X1	Oil cup M10X1		5
16	EFAGL125.104			1
17	EFAGL125.021			1
18	EFAGL125.025	Oil pipe (L)		2
19	QC-R1/2-M	Quick Connector R1/2		4
20	GB6184-86/M24	Locking nut M24		7
21	GB5781-86-M24X90	Bolt M24X90		1
22	SF-2/.65X70X40	Bushing 65X70X40		2
23	EFAGL125.107	Pin (S)		1
24	EFAGL125.020			1
25	EFAGL125.102			1

Pos	Code	Description	NOTE	Q.
26	GB5783-86/M10x35	Bolt M10X35		4
27	GB97.1-85/10	Plain washer 10		4
28	EFAGL125.108	step pin		1
29	EFAGL125.018	Parallel movement cylinder		1
30	GB5781-86-M24X65	Bolt M24X65		1
31	EFAGL125.109	Pin (L)		2
32	EFAGL125.105			2
33	GB5781-86-M24X70	Bolt M24X70		1
34	EFAGL125.028	Oil pipe (S)		2
35	SF-2/30X34X40	Bushing 30X34X40		4
36	EFAGL125.019			1
37	200.56.011	Lock pin		2
38	EF100.00.019	Support		1
39	EFAGL125.011	Hanging weldment		1