

EFG



GEO Italy S.R.L.

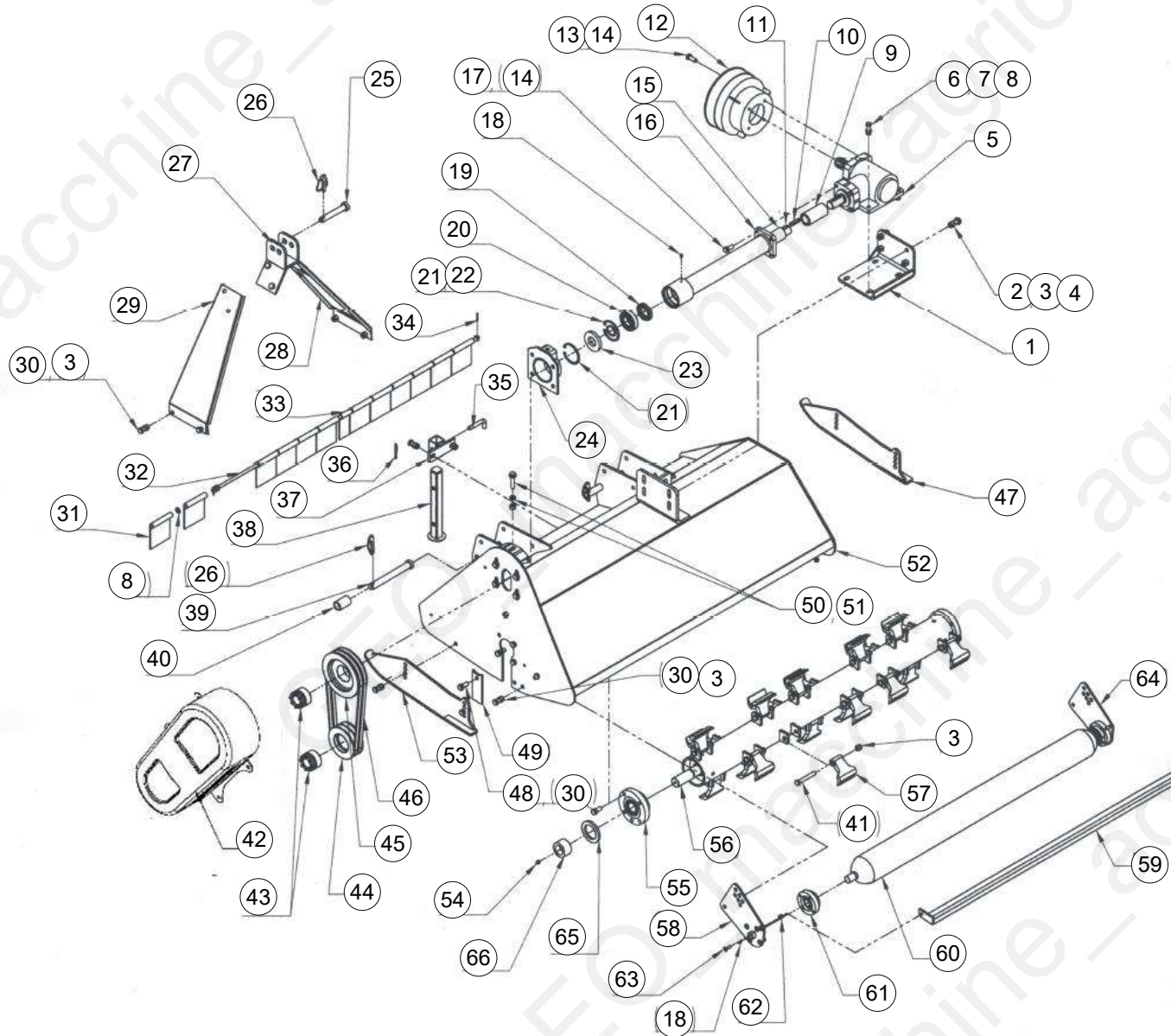
Table of Contents

Tavola	Page
EFG	3
EFG 2009 2012	10

EFG



GEO Italy S.R.L.



Pos	Code	Description	NOTE	Q.
1	EFG120.016	Gear box seat		1
2	GB5783-M12x40	bolt M12x40		4
3	GB889.1-M12	Locking nut M12		26
4	GB97.1-12	plain washer 12		12
5	XH30.290Z.01W	Gearbox assembly 35HP		1
6	GB5783-M10x35	Bolt M10X35		4
7	GB889.1-M10	Locking nut M10		4
8	GB97.1-10	PLAIN WASHER 10		6
9	EFG115.201	Connection sleeve		1
10	GB1096-A10X45	Flat key A10X45		1
11	GB1096-A10X28	Flat key A10X28		1
12	FM150.120	Guard shade		1
13	GB5783-M8x20	bolt M8X20		4
14	GB93-8	Spring washer 8		8
15	EFG.N.35.363	Shaft 105-115		1
15	EFG.N.35.465	Shaft 125		1
15	EFG.N.35.477	Shaft 145		1
15	EFG.N.35.577	Shaft 155-165		1
15	EFG.N.35.592	Shaft 175		1
16	EFG.N.72.366	Shaft tube 105-115		1
16	EFG.N.72.466	Shaft tube 125-145		1
16	EFG.N.72.566	Shaft tube 155-175		1
17	GB5783-M8x35	bolt M8x35		4
18	GB1152-M6	Grease Nipple M6		3
19	GB13871-FB40X65X8	Oil seal FB40X65X8		1

Machine: EFG

Assembly: EFG_parte 1



Pos	Code	Description	NOTE	Q.
20	GB/276-94/6207	Bearing 6207		1
21	GB893.1-72	Seeger ring 72		2
22	GB894.1-35	Seeger A 35		1
23	GB13871-FB35X72X10	Oil seal FB35X72X10		1
24	EFG120.015	Tension ring Weldment		1
25	EFGC125.123	HITCH PIN-TOP		0
26	LP-12	Lock Pin 12		3
27	EFGC125.022	Upper pull rod bracket Weldment		1
28	EFGC125.023	Suspension plate (L)		1
29	EFGC125.021	Suspension plate (R)		1
30	GB5783-M12x30	Bolt M12X30		30
31	EFGC125.113	Fender		0
32	EFGC105.104	Shaft for fender EFGC105		1
32	EFGC115.104	Shaft for fender EFGC115		1
32	EFGC125.104	Shaft for fender 125		1
32	EFGC145.104	Shaft for fender 145		1
32	EFGC155.104	Shaft for fender 155		1
32	EFGC165.104	Shaft for fender 165		1
32	EFGC175.104	Shaft for fender 175		1
33	EFGC125.114	Fender Narrow		1
34	GB91-4X22	Cotter pin 4X22		2
35	IG135.00.107	Support pin bolt		1
36	RP-3.2	R Pin 3.2		1
37	EFGC125.031	Supporting foot square tube Weldment		1
38	EFGC125.032	Supporting foot Weldment		1

Pos	Code	Description	NOTE	Q.
39	EFGC125.109	Lower suspension pin		2
40	EFGC125.108	Spacer		2
41	GB5783-M12x80	BOLT M12*80		1
42	EFGC125.012			1
43	JB/T7934Z3/35X60	Swellable sleeve 35X60		2
44	EFG120.105.2	small belt pulley 120mm 2 grooves		1
44	EFG120.105.3	small belt pulley 120mm 3 grooves		1
44	EFG120.105.4	small belt pulley 120mm 4 grooves		1
45	EFG120.106.2	Big belt pulley 170mm 2 grooves		1
45	EFG120.106.3	Big belt pulley 170mm 3 grooves		1
45	EFG120.106.4	Big belt pulley 170mm 4 grooves		1
46	GB/1154-17.38.X	Belt BX 38 (965Li)		0
47	EFGC125.015	Base plate (R)		1
48	GB93-12	spring washer 12		9
49	EFG120.108	Side baffle		1
50	GB5783-M12x55	Bolt M12X55		1
51	GB6170-12	NUT M12		2
52	EFG120.011.105	The cover weldment 105		0
52	EFG120.011.115	The cover weldment 115		0
52	EFG120.011.125	The cover weldment 125		0
52	EFG120.011.145	The cover weldment 145		0
52	EFG120.011.155	The cover weldment 155		0
52	EFG120.011.165	The cover weldment 165		0
52	EFG120.011.175	The cover weldment 175		0
53	EFGC125.014	Base plate (L)		1

Pos	Code	Description	NOTE	Q.
54	GB1152-M8X1	Grease Nipple M8x1		2
55	GEO_UCF207	Bearing with flange UC207-Z		2
56	EFG120.013.105	Blade axle weldment 105		0
56	EFG120.013.115	Blade axle weldment 115		0
56	EFG120.013.125	Blade axle weldment 125		1
56	EFG120.013.145	Blade axle weldment 145		0
56	EFG120.013.155	Blade axle weldment 155		0
56	EFG120.013.165	Blade axle weldment 165		0
56	EFG120.013.175	Blade axle weldment 175		0
57	EF.100.00.102	Blade Ø 12		1
57	EF.100.00.107	Hammer Ø12		0
58	EFG120.102	Supporting for roller (L)		1
59	EFG120.024.105	clean shoe Weldment 105		0
59	EFG120.024.115	clean shoe Weldment 115		0
59	EFG120.024.125	clean shoe Weldment 125		1
59	EFG120.024.145	clean shoe Weldment 145		0
59	EFG120.024.155	clean shoe Weldment 155		0
59	EFG120.024.165	clean shoe Weldment 165		0
59	EFG120.024.175	clean shoe Weldment 175		0
60	EFG120.012.105	Roller weldment 105		0
60	EFG120.012.115	Roller weldment 115		0
60	EFG120.012.125	Roller weldment 125		1
60	EFG120.012.145	Roller weldment 145		0
60	EFG120.012.155	Roller weldment 155		0
60	EFG120.012.165	Roller weldment 165		0

Machine: EFG

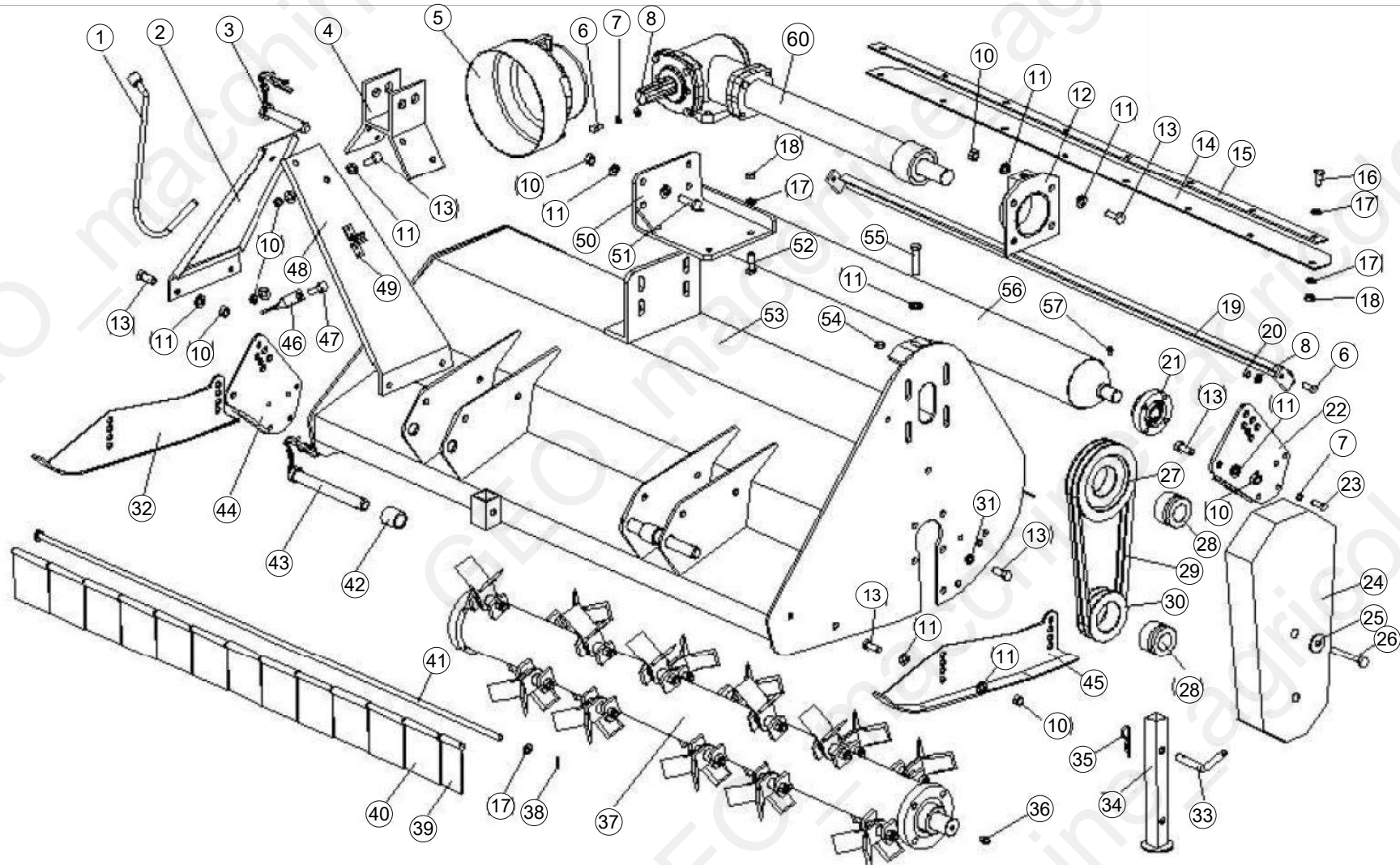
Assembly: EFG_parte 1



Pos	Code	Description	NOTE	Q.
60	EFG120.012.175	Roller weldment 175		0
61	GEO_UCF205	Bearing with flange UC205		2
62	GB889.1-M8	Locking nut M8		2
63	GB2673-M8X30	Bolt M8x30		10
64	EFG120.101	Supporting for roller (R)		1
65	GB13871-FB55X80X8	Oil seal FB55X80X8		1
66	RK120.109.2	Spacer lower for Pulley 2 grooves		1

EFG 2009 2012



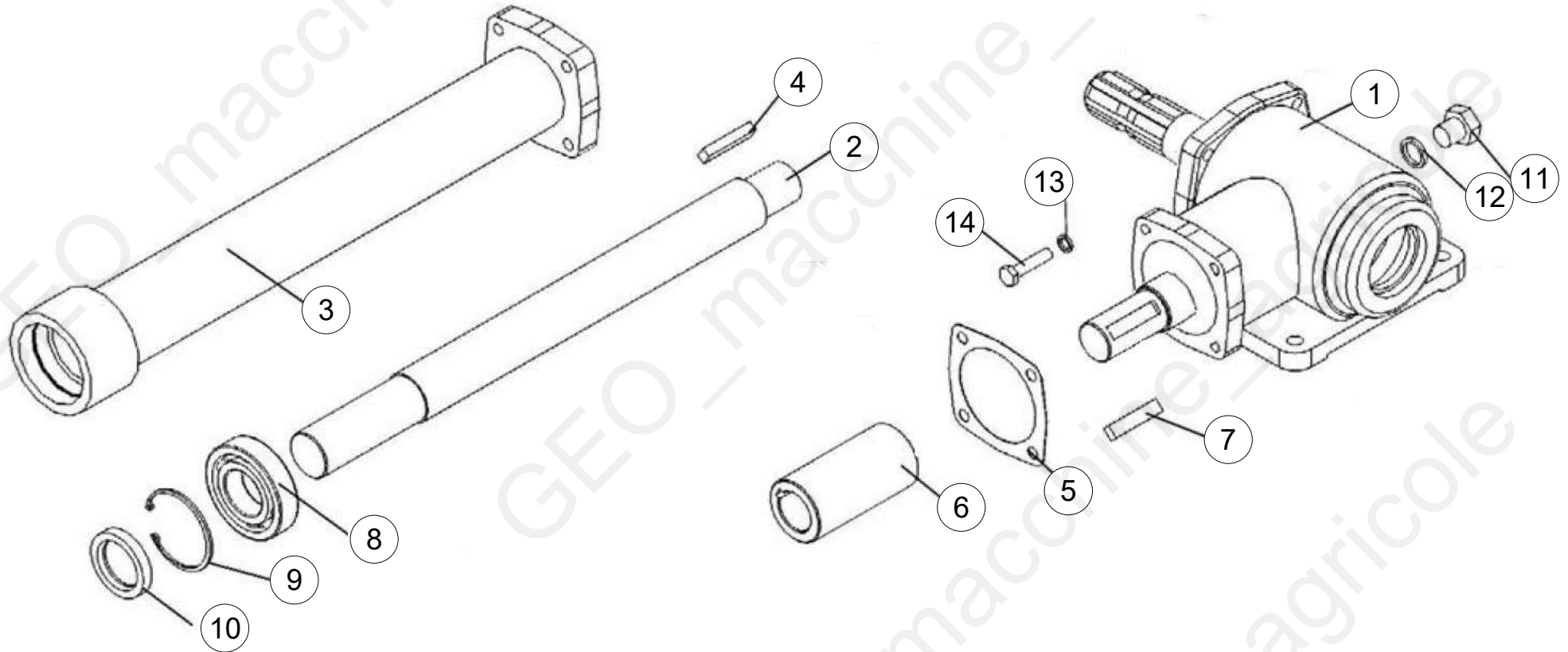


Pos	Code	Description	NOTE	Q.
1	EF100.00.017	Hook		1
2	EFGC125.023	Suspension plate (L)		1
3	EF100.00.019	Support		1
4	EFGC125.022	Upper pull rod bracket Weldment		1
5	EF100.00.112	Guard Shade		1
6	GB5783-86/M8x20	Bolt M8x20		4
7	GB93-87-8	Spring lock washer 8		10
8	GB97.1-85/8	Plain washer 8		4
9	RK120.019.1	Gear box assembly 105-125		1
9	RK120.019.2	Gear box assembly 145-155		1
9	RK120.019.3	Gear box assembly 165-175		1
10	GB6184-86/M12	Locking nut M12		34
11	GB97.1-85/12	Plain washer 12		41
12	EFG120.015	Tension ring Weldment		1
13	GB5783-86/M12x30	Bolt M12x30		27
14	EFG120.109.105	Plate 105		1
14	EFG120.109.115	Plate 115		1
14	EFG120.109.125	Plate 125		1
14	EFG120.109.145	Plate 145		1
14	EFG120.109.155	Plate 155		1
14	EFG120.109.165	Plate 165		1
14	EFG120.109.175	Plate 175		1
15	EFG120.104.105	Press plate 105		1
15	EFG120.104.115	Press plate 115		1
15	EFG120.104.125	Press plate 125		1

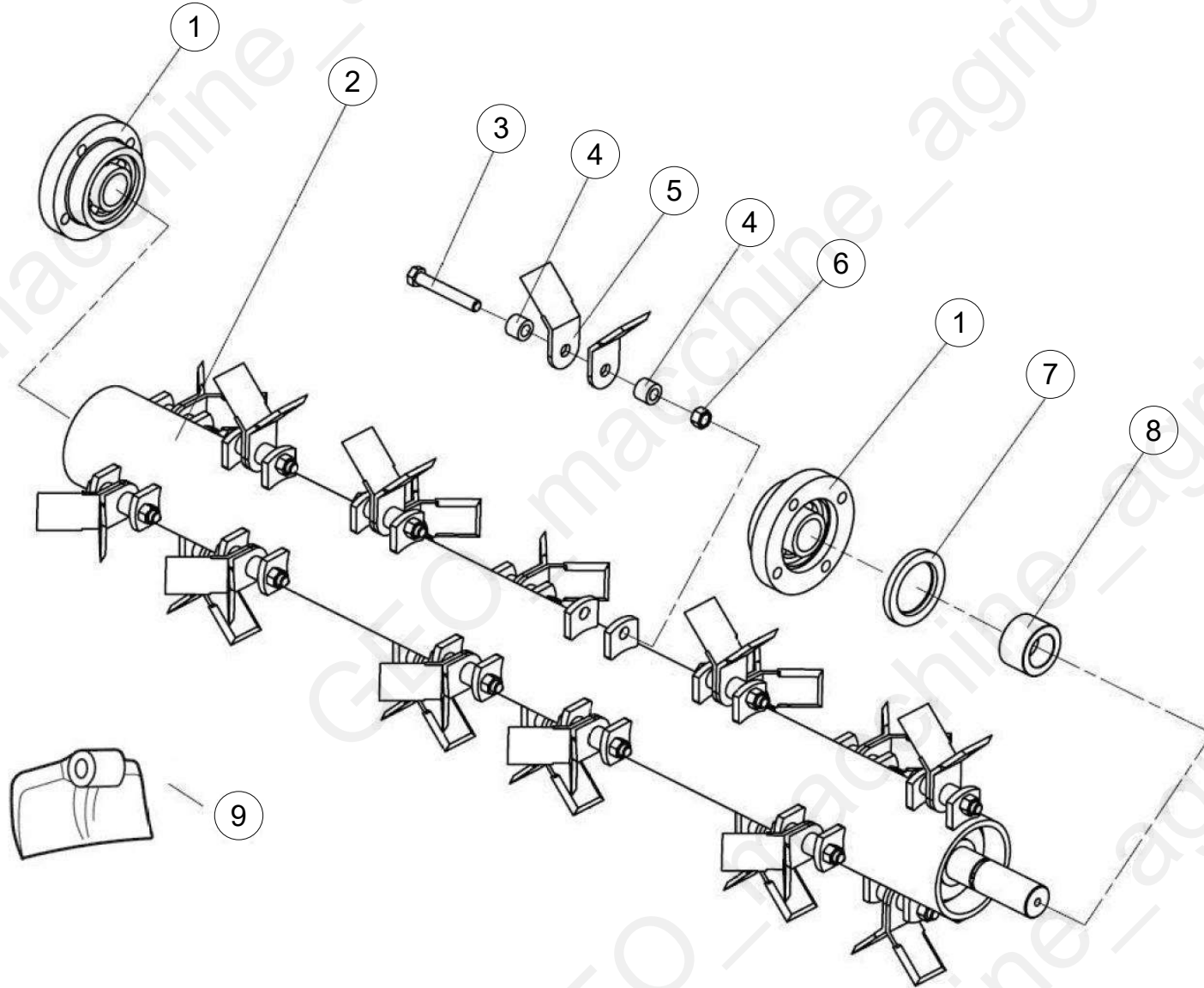
Pos	Code	Description	NOTE	Q.
15	EFG120.104.145	Press plate 145		1
15	EFG120.104.155	Press plate 155		1
15	EFG120.104.165	Press plate 165		1
15	EFG120.104.175	Press plate 175		1
16	GB5783-86/Bolt.M10×25	Bolt M10×25		8
17	GB97.1-85/10	Plain washer 10		36
18	GB6184-86/M10	Locking nut M10		12
19	EF105.00.024	Mud shield 105		1
19	EF115.00.024	Mud shield 115		1
19	EF125.00.024	Mud shield 125		1
19	EF145.00.024	Mud shield 145		1
19	EF155.00.024	Mud shield 155		1
19	EF165.00.024	Mud shield 165		1
19	EF175.00.024	Mud shield 175		1
20	GB6184-86/M8	Locking nut M8		2
21	GEO_UCF205	Bearing with flange UC205		2
22	EFG120.102	Supporting for roller (L)		1
23	GB5783-86/M8x25	Bolt M8x25		8
24	EF100.00.021.1	Belt cover 105-125		1
24	EF100.00.021.2	Belt cover 145-175		1
25	GB96-85-12	Plain washer 12		1
26	GB5782-86/M12X80	Bolt M12x80		1
27	EFG120.106.2	Big belt pulley 170mm 2 grooves		1
27	EFG120.106.3	Big belt pulley 170mm 3 grooves		1
27	EFG120.106.4	Big belt pulley 170mm 4 grooves		1

Pos	Code	Description	NOTE	Q.
28	JB/T7934Z3/35X60	Swellable sleeve 35X60		2
29	GB/1154-17.38.X	Belt BX 38 (965Li)		2
30	EFG120.105.2	small belt pulley 120mm 2 grooves		1
30	EFG120.105.3	small belt pulley 120mm 3 grooves		1
30	EFG120.105.4	small belt pulley 120mm 4 grooves		1
31	GB93-87-12	Spring lock washer 12		8
32	EFGC125.015	Base plate (R)		1
33	EF100.00.111	square angle pin		1
34	EF100.00.027	Supporting frame		1
35	1G-150-01-142	R Pin		1
36	GB1152-89/M8X1	Grease nipple M8		2
38	GB879-86/4X22	Elastic cylindrical pin 4x22		2
39	EF100.00.121	Fender Narrow		1
40	EF100.00.122	Fender		13
41	EF105.00.123	Shaft for fender 105		1
41	EF115.00.123	Shaft for fender 115		0
41	EF125.00.123	Shaft for fender 125		0
41	EF145.00.123	Shaft for fender 145		0
41	EF155.00.123	Shaft for fender 155		0
41	EF165.00.123	Shaft for fender 165		0
41	EF175.00.123	Shaft for fender 175		0
42	EF100.00.106	Pin sleeve		2
43	EF100.00.014	Pin shaft weldment		2
44	EFG120.101	Supporting for roller (R)		1
45	EFGC125.014	Base plate (L)		1

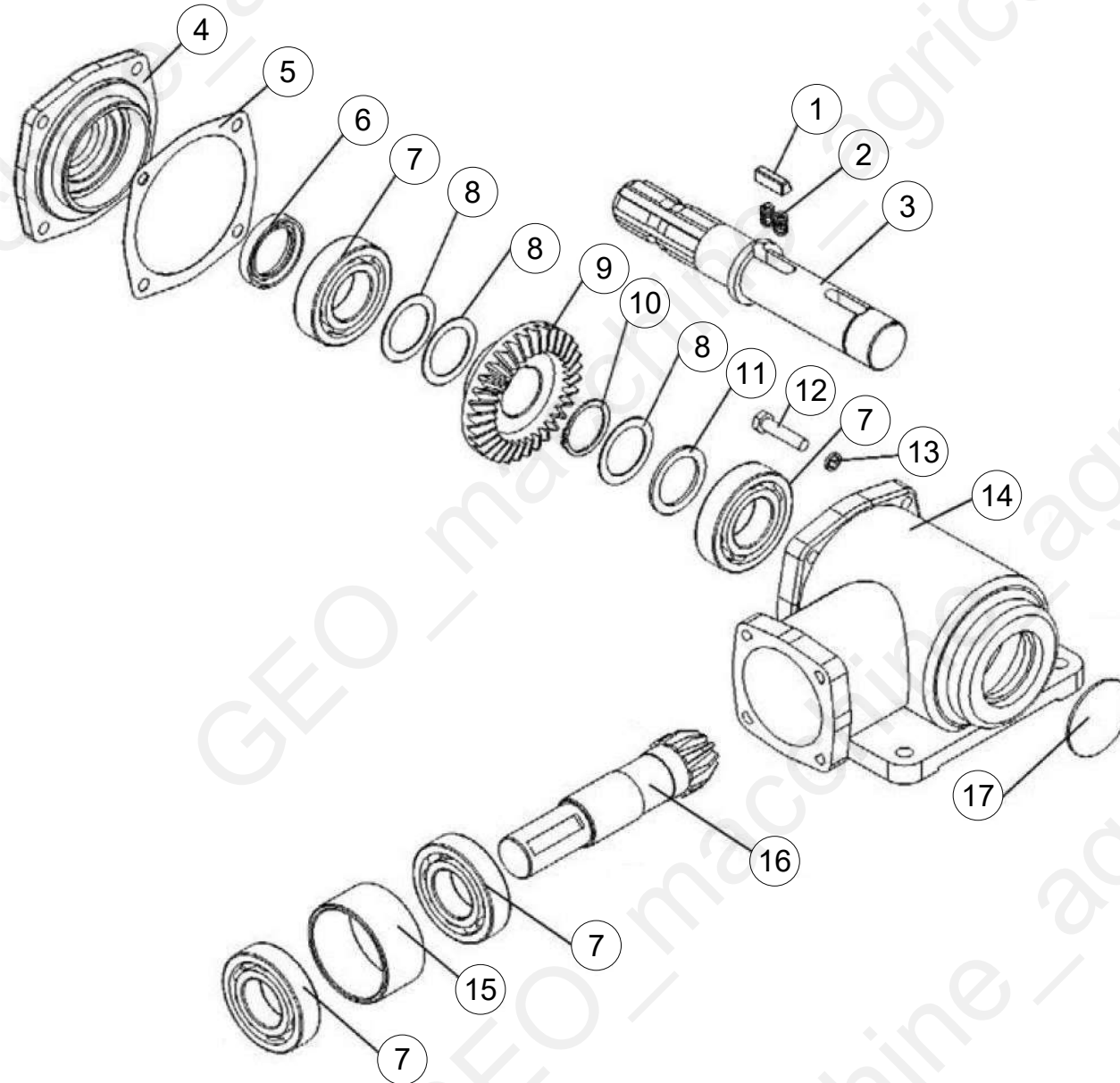
Pos	Code	Description	NOTE	Q.
46	EF100.00.108	Fixing plate		1
47	GB5783-86/M12x35	Bolt M12×35		1
48	EFGC125.021	Suspension plate (R)		2
49	EF100.00.105	Clamp for hook		2
50	EFG120.016	Gear box seat		1
50	EFG120.016.S	Gear box seat (Gearbox REVERSE)		0
51	GB5783-86/M12x40	Bolt M12x40		4
52	GB5783-86/M10x35	Bolt M10X35		4
53	EFG120.011.105	The cover weldment 105		1
53	EFG120.011.115	The cover weldment 115		1
53	EFG120.011.125	The cover weldment 125		1
53	EFG120.011.145	The cover weldment 145		1
53	EFG120.011.155	The cover weldment 155		1
53	EFG120.011.165	The cover weldment 165		1
53	EFG120.011.175	The cover weldment 175		1
54	GB6172-86/M12	Nut M12		1
55	GB5783-86/M12x55	Bolt M12×55		1
56	EFG120.012.105	Roller weldment 105		1
56	EFG120.012.115	Roller weldment 115		1
56	EFG120.012.125	Roller weldment 125		0
56	EFG120.012.145	Roller weldment 145		0
56	EFG120.012.155	Roller weldment 155		0
56	EFG120.012.165	Roller weldment 165		0
56	EFG120.012.175	Roller weldment 175		0
57	GB1152-89/M6	Grease nipple M6		2



Pos	Code	Description	NOTE	Q.
1	RK120.S	Gearbox complete REVERSE		1
1	XH30.290Z.01W	Gearbox assembly 35HP		1
2	RK120.35.363	Shaft 105-115		1
2	RK120.35.465	Shaft 125		1
2	RK120.35.477	Shaft 145		1
2	RK120.35.577	Shaft 155-165		1
2	RK120.35.592	Shaft 175		1
3	RK120.62.366	Shaft tube 105-115		1
3	RK120.62.466	Shaft tube 125-145		1
3	RK120.62.566	Shaft tube 155-175		1
4	GB1096-79/A10X30	Key 10×30		1
5	EF100.01.113-1	Paper gasket		1
6	EF100.01.101	Connected sleeve		1
7	GB1096-79/A10X45	Key 10×45		1
8	GB/276-94/6207	Bearing 6207		1
9	GB893.1-86/62	Circlip 62		1
10	GB13871-94-35×62×10	Oil seal B 35×62×10		1
11	EF.002.0011	Combined seal washer		1
12	200.38.024	Oil drain plug		1
13	GB93-87-8	Spring lock washer 8		8
14	GB5783-86/M8x35	Bolt M8x35		4



Pos	Code	Description	NOTE	Q.
1	GEO_UCF207	Bearing with flange UC207-Z		2
2	EFG120.013.105	Blade axle weldment 105		1
2	EFG120.013.115	Blade axle weldment 115		0
2	EFG120.013.125	Blade axle weldment 125		0
2	EFG120.013.145	Blade axle weldment 145		0
2	EFG120.013.155	Blade axle weldment 155		0
2	EFG120.013.165	Blade axle weldment 165		0
2	EFG120.013.175	Blade axle weldment 175		0
3	GB5782-86/M12x80	Bolt M12x80		20
4	EF.100.00.103	Spacer 12		40
5	EF.100.00.102	Blade Ø 12		0
6	GB6184-86/M12	Locking nut M12		20
7	GB13871-94-55X80X8	Oil seal FB55x80x8		1
8	RK120.109.2	Spacer lower for Pulley 2 grooves		1
9	EF.100.00.107	Hammer Ø12		0



Pos	Code	Description	NOTE	Q.
1	EF100.01.110	Key		1
2	EF100.01.111	Pressure spring		2
3	EF100.01.106	Input shaft		1
4	EF100.01.107	Bearing cover		1
5	EF100.01.108	Paper gasket		1
6	GB13871-94-35×55×8	Oil seal 35×55×8		1
7	UC207	Bearing UC207		4
8	EF100.01.109	Adjusting shim		4
9	EF100.01.112	Bevel gear		1
10	GB894.1-86-35	Circlip 35		1
11	EF100.01.114	Retainer		1
12	GB5783-86/M8x30	Bolt M8x30		4
13	GB93-87-8	Spring lock washer 8		8
14	EF100.01.113	Case		1
15	EF100.01.104	Spacer sleeve		1
16	EF100.01.105	Output shaft		1
17	ZB.T32.002-88	Blocked patch (72X10)		1